

# NACME

NATIONAL ACTION COUNCIL FOR  
MINORITIES IN ENGINEERING

*The*  
**Princeton**  
*Review*

# 5th Edition

# The NACME Guide to Engineering Colleges



- Covers accredited undergraduate engineering colleges in the United States
- Valuable information on choosing the right college, financial aid, scholarships, resources, and much more!
- Introduction in both English and Spanish
- Cubre las universidades de ingeniería acreditadas en los Estados Unidos
- ¡Información valiosa para escoger la universidad adecuada, ayuda financiera, becas, recursos, y mucho más!
- Introducción en ambos inglés y español



# BE AN ENGI NEER

Because jobs for scientists, engineers, and other technology specialists are likely to grow by approximately 1 million over the next 10 years. Which is why kids should consider engineering—not only will they have an opportunity to solve some of the world's toughest challenges, but they can also enjoy higher salaries and job security. Help us inspire our future engineers.

Visit [BeAnEngineer.com](http://BeAnEngineer.com)

**ExxonMobil**

Energy lives here™



PrincetonReview.com



# THE NACME GUIDE TO ENGINEERING COLLEGES

2015–2016



NACME would like to thank the Toyota USA Foundation for its support which will help in the production of training videos to assist families and educators in the use of this guide.

**NATIONAL ACTION COUNCIL FOR MINORITIES IN ENGINEERING, INC., (NACME)**

One North Broadway, Suite 601, White Plains, NY 10601-2318

Tel: 914-539-4010 • Fax: 914-539-4032 • Web: [www.nacme.org](http://www.nacme.org)

© 2015 by TPR Education IP Holdings, LLC

The Princeton Review is not affiliated with Princeton University.

This is for personal use and not for reproduction or posting.

19-TB1590

## **ABOUT THE NATIONAL ACTION COUNCIL FOR MINORITIES IN ENGINEERING, INC. (NACME)**

The National Action Council for Minorities in Engineering, Inc. (NACME) works to ensure American competitiveness in a flat world by leading and supporting the national effort to expand U.S. capability through increasing the number of successful African American, American Indian, and Latino young women and men in science, technology, engineering, and mathematics (STEM) education and careers. Since 1974, NACME has supported more than 24,000 underrepresented minority engineering students who have received over \$142 million in scholarships and support at 160 colleges and universities in all regions of the United States. Our vision is an engineering workforce that looks like America.

## **ACERCA DEL CONSEJO DE ACCIÓN NACIONAL PARA MINORÍAS EN INGENIERÍA, INC. (NACME, POR SUS SIGLAS EN INGLÉS)**

El Consejo de Acción Nacional en Ingeniería para Minorías (National Action Council for Minorities in Engineering, Inc. con el acrónimo NACME) trabaja para asegurar la competitividad de América en un mundo plano proporcionando dirección y apoyo en los esfuerzos nacionales para ampliar la capacidad de los Estados Unidos mediante el aumento del número de mujeres y hombres de origen afroamericano, indio americano, y latinos que tienen potencial en la educación y las carreras de la ciencia, tecnología, ingeniería y matemáticas (STEM). Desde 1974, NACME ha apoyado a más de 24,000 estudiantes que corresponden a las minorías antes mencionadas. Estos estudiantes han recibido más de \$142 millones de dólares en becas y apoyo en 160 escuelas y universidades en todas las regiones de los Estados Unidos. Nuestra visión es tener una fuerza laboral que represente a los Estados Unidos.

**NATIONAL ACTION COUNCIL FOR  
MINORITIES IN ENGINEERING, INC.  
BOARD OF DIRECTORS**

3M  
Air Products & Chemicals, Inc.  
Apache Corporation  
ARCADIS  
AT&T  
Bechtel Corporation  
The Boeing Company  
BP plc  
Bristol-Myers Squibb Company  
Broadcom Corporation  
Chevron Corporation  
Cisco Systems, Inc.  
Consolidated Edison Company of New York, Inc.  
Deloitte & Touche LLP  
The Dow Chemical Company  
DuPont  
Eaton Corporation  
EMC Corporation  
Exxon Mobil Corporation  
Florida A&M University  
Florida International University  
Ford Motor Company  
General Electric Corporation  
Hewlett-Packard Company  
IBM Corporation  
Intel Corporation  
Johnson Controls, Inc.  
Lockheed Martin Corporation  
Merck & Co., Inc.  
National Academy of Engineering  
New York University Polytechnic School of Engineering  
Northrop Grumman Corporation  
PenFed  
Procter & Gamble Company  
Raytheon Company  
Rolls-Royce plc  
Shell Oil Company  
United Parcel Service  
Xerox Corporation

# TABLE OF CONTENTS

<b>Introduction (English)</b> .....	<b>7</b>
Foreword .....	7
What Is Engineering? .....	7
Why Choose Engineering as a Career? .....	7
Types of Engineering .....	7
Frequently Asked Questions about College.....	11
How to Use This Guide.....	13
Applying to College .....	14
Timeline .....	14
Factors .....	16
How to Select the Right College for You .....	17
Financial Aid.....	18
Who Is Eligible for Financial Aid? You Are! .....	19
Types of Financial Aid.....	19
College Costs .....	20
Comparing Cost/Aid .....	20
Internet Sources for Financial Aid (Loans, Grants, and Scholarships) .....	20
Searching for Scholarships .....	21
Engineering Internet Resources.....	22
<b>NACME Partner Institutions .....</b>	<b>39</b>
<b>ABET-Accredited Engineering Colleges .....</b>	<b>41</b>
<b>Index: ABET-Accredited Engineering Colleges Listed by State .....</b>	<b>151</b>
<b>Introduction (Spanish) .....</b>	<b>23</b>
Introducción .....	23
¿Qué Es la Ingeniería? .....	23
¿Por qué Escoger Ingeniería como una Carrera? .....	23
Tipos de Ingeniería.....	23
Preguntas Frecuentes Acerca de la Universidad .....	28
Cómo Usar Esta Guía .....	29
Solicitando Ingreso a la Universidad .....	30
Agenda .....	30
Factores .....	33
Cómo Escoger la Universidad Adecuada para Usted .....	33
Ayuda Financiera .....	35
¿Quién Es Elegible para Recibir Ayuda Financiera? ¡Usted Es! .....	36

Tipos de Ayuda Financiera .....	36
Costos de la Universidad .....	37
Comparación de Costo/Ayuda .....	37
Recursos de Información en Internet Acerca de Ayuda Financiera (Préstamos, Concesiones, y Becas) .....	38
Buscando las Becas .....	38
Recursos de Información en Internet Acerca de Ingeniería .....	38
<b>NACME Partner Institutions .....</b>	<b>39</b>
<b>Universidades de Ingeniería Acreditadas por ABET .....</b>	<b>41</b>
<b>Indice: Universidades de Ingeniería Acreditadas por ABET, Enumeradas por Estados .....</b>	<b>151</b>



## FOREWORD

*The NACME Guide to Engineering Colleges* contains a comprehensive description of undergraduate engineering colleges in the United States with at least one curriculum accredited by the Accreditation Board for Engineering and Technology (ABET). It also contains information relevant to choosing a college or university, as well as a guide to financial aid.

## WHAT IS ENGINEERING?

No profession unleashes the spirit of innovation like engineering. From research to real-world applications, engineers constantly discover how to improve our lives by creating bold new solutions that connect science to life in unexpected, forward-thinking ways. Few professions turn so many ideas into so many realities. Few have such a direct and positive effect on people's everyday lives. We are counting on engineers and their imaginations to help us meet the needs of the twenty-first century.

Engineering is a profession that can take you from the depths of the ocean to the farthest reaches of outer space, and from within the microscopic confines of a human cell to the top of the tallest skyscraper. Whether dealing with mobile phones, digital cameras, DVDs, fingerprint recognition devices, and more, engineers are behind almost all of today's amazing technology. Engineers are expert problem solvers who search for quicker, better, and less expensive ways to create solutions for today's challenges.

## WHY CHOOSE ENGINEERING AS A CAREER?

There are many types of careers in engineering—from designing commercial airplanes and military fighter jets in aerospace engineering, to building new motors and engines in mechanical engineering, to designing video games and computer software in computer engineering—the list of professions is nearly endless. There's no other career field that offers more choices. Even better, engineers earn an average salary that is considerably higher than what most other careers offer! For a salary guide for most careers, visit [Salary.com](http://Salary.com).

## TYPES OF ENGINEERING\*

Here is a brief description of major engineering programs. Check with the school that you wish to attend to see if they have a specific program that fits your interest.

### Aerospace

Aerospace engineers design, analyze, model, simulate, and test aircraft, spacecraft, satellites, missiles, and rockets. Aerospace technology also extends to many other applications of objects moving within gases or liquids. Examples are golf balls, high-speed trains, hydrofoil ships, or tall buildings in the wind.

As an aerospace engineer, you might work on the Orion space mission, which plans on putting astronauts on Mars by 2020. Or, you might be involved in developing a new generation of space telescopes, the source of some of our most significant cosmological discoveries. But outer space is just one of many realms to explore as an aerospace engineer. You might develop commercial airliners, military jets, or helicopters for our airways. And getting even more down-to-earth, you could design the latest ground and sea transportation, including high-speed trains, racing cars, or deep-sea vessels that explore life at the bottom of the ocean.

### Agricultural and Biological

Agricultural engineers apply knowledge of engineering technology and science to agriculture and the efficient use of biological resources. In addition to creating advances in farming and agriculture, agricultural engineers apply engineering design and analysis to protecting natural resources, develop power systems to support agriculture, and provide environmental controls.

\*Source: <http://www.discovere.org/>

## **Audio**

Most people take the sounds we hear every day for granted. But it may surprise you to learn that the creation of audio is a unique endeavor that blends both art and science. Did you ever stop to think how they created the sounds in a video game, a movie, TV show, or at a concert? There are literally thousands of different jobs available in this field that are as rewarding as they are challenging.

There are many career choices in the field of audio engineering. Perhaps you are a musician, are interested in electronics and sound, or like the idea of working with people who produce and perform in the many fields of entertainment. You will find challenging and fulfilling work in audio engineering.

## **Bioengineering and Biochemical**

Bioengineers study living systems and apply that knowledge to solve various problems. They study the safety of food supplies, keep desirable organisms alive in fermentation processes, and design biologically based sensors. Bioengineering is widely used to destroy waste and clean up contaminated soil and water. These engineers contribute greatly to human health and the environment.

## **Biomedical**

Biomedical engineers study biology and medicine to develop technologies related to health care. They develop medical diagnostic machines, medical instruments, artificial organs, joint replacement parts, and prosthetic devices. Rapid advances in these areas will undoubtedly continue throughout your lifetime.

## **Ceramic and Materials**

Ceramic and materials engineers solve problems by relying on their creative and technical skills, making useful products in many forms from common, as well as exotic materials. Every day we use a multitude of these products. Each time we talk on the phone, use a computer, or heat food in a microwave oven, we are using products made possible by the inventions and designs of engineers working with ceramics and other materials.

## **Chemical**

Everything around us—including us—is made of chemicals. Chemical changes can be used to produce all kinds of useful products. Chemical engineers discover and manufacture better plastics, paints, fuels, fibers, medicines, fertilizers, semiconductors, paper, cosmetics, and all other kinds of products. Chemical engineers also play an important role in protecting the environment, inventing cleaner technologies, calculating environmental impacts, and studying the fate of chemicals in the environment.

## **Civil**

What would it feel like to have the expertise to build a school that could withstand an earthquake, a road system that puts an end to chronic traffic jams, or a sports stadium that offers everyone a great view? As a civil engineer, your job would be to oversee the construction of the buildings and infrastructure that make up our world: highways, skyscrapers, railways, bridges, and water reservoirs, as well as some of the most spectacular and high-profile of all engineering feats—think of the world's tallest building, the towering Burj Khalifa in Dubai, or the Chunnel, the thirty-one-mile-long tunnel beneath the English Channel. Civil engineers are fond of saying that it's architects who put designs on paper, but it's engineers who actually get things built.

## **Computer**

Computer engineering is the design, construction, implementation, and maintenance of computers and computer-controlled equipment. Most universities offer computer engineering as either a degree program of its own or as a sub-discipline of electrical engineering. With the widespread use and integration of computers into our everyday lives, it's hard to separate what an electrical engineer needs to know and what a computer engineer needs to know. Because of this, several universities offer a dual degree in both electrical and computer engineering.

## Computer Science

Computer science spans the range from theory through programming to cutting-edge development of computing solutions. Unlike electrical and computer engineers, computer scientists deal mostly with software and software systems. The work of computer scientists falls into three categories: a) designing and building software; b) developing effective ways to solve computing problems, such as storing information in databases, sending data over networks, or providing new approaches to security problems; and c) devising new and better ways of using computers and addressing particular challenges in areas such as robotics, computer vision, or digital forensics.

## Electrical

As an electrical engineer, you could develop components for some of the most fun things in our lives (MP3 players, digital cameras, or roller coasters), as well as the most essential (medical tests or communications systems). This largest field of engineering encompasses the macro (huge power grids that light up cities, for example), as well as the micro (including a device smaller than a millimeter that tells a car's airbags when to inflate). As an electrical engineer, you might work on robotics, computer networks, wireless communications, or medical imaging—areas that are at the very forefront of technological innovation.

## Environmental

Environmental engineering is the study of ways to protect the environment. Most of us care deeply about stopping pollution and protecting our natural resources. Imagine yourself having more than just a passion for saving our environment, but also possessing the actual know-how to do something about these alarming problems! As an environmental engineer, you'll make a real difference in the survival of our planet by finding ways of cleaning up our oceans, rivers, and drinking water, developing air pollution equipment, designing more effective recycling systems, or discovering safe ways to dispose of toxic waste.

## Geological and Geophysical

Geological and geophysical engineers draw on the science of geology to study the earth, using engineering principles to seek and develop deposits of natural resources and design foundations for large buildings, bridges, and other structures. Related engineering fields include civil, mineral, mining, and petroleum.

## Industrial

Industrial engineers determine the most effective ways to use people, machines, materials, information, and energy to make a product or to provide a service. Sometimes they are called “efficiency experts.”

Do you think of yourself as super organized? Do you think you're good at understanding the big picture and figuring out how things could work better? If so, you might make a great industrial engineer. Your job would involve organizing people, places, equipment, and information, ensuring that complex and large-scale systems operate safely and efficiently.

For example, you might keep a hospital operating room running like clockwork. You might make sure an assembly line runs smoothly both for people and machines. Or you might be involved in adding a little extra fun and convenience to people's lives by figuring out ways of making amusement park lines shorter, or by seeing to it that a big clothing chain always has every size of jeans in stock.

Although most industrial engineers work in manufacturing industries, they may also work in consulting services, health care, and communications.

## Manufacturing

Manufacturing means making things. Manufacturing engineers direct and coordinate the processes for making things—from the beginning to the end. As businesses try to make products better and at less cost, it turns to manufacturing engineers to find out how. Manufacturing engineers work with all aspects of manufacturing from production control to materials handling to automation. The assembly line is the

domain of the manufacturing engineer. Machine vision and robotics are some of the more advanced technologies in the manufacturing engineer's toolkit.

The beginning of the manufacturing process often involves creating prototypes or models of the desired object. In the past, these prototypes were created from wood or clay (kind of like sculpting). Today rapid prototyping is the state of the art. There are a number of types of rapid prototyping systems currently available, but one of the coolest is called stereolithography. A computer-controlled laser shoots through a pool of liquid plastic and forms a solid plastic part that is literally pulled out of the liquid. Manufacturing engineers use rapid prototyping to reduce time to market for something new, as well as reducing production costs.

## **Marine and Ocean**

These engineering fields are closely related, and deal with the design of ocean vehicles, marine propulsion systems, and marine structures such as harbors, docks, and offshore drilling platforms. These engineers are exploring and developing the natural resources and transportation systems of the ocean.

For example, 200 miles off the coast of Washington state, a research ship hovers on the sea's surface, manipulated by navigational satellites hundreds of miles above. A thin cable of fiberoptic strands and electrical conductors connects the ship to a remotely piloted robotic vehicle on the seafloor 7,000 feet below as it shoots live, high-definition video of volcanic smoker vents and strange life-forms. The video is linked in real time to a communications satellite 22,500 miles above and, from there, into classrooms coast to coast.

## **Mechanical**

As a mechanical engineer, you might develop a bike lock or an aircraft carrier, a child's toy or a hybrid car engine, a wheelchair or a sailboat—in other words, just about anything you can think of that involves a mechanical process, whether it's a cool, cutting-edge product or a life-saving medical device. Mechanical engineers are often referred to as the general practitioners of the engineering profession, since they work in nearly every area of technology, from aerospace and automotive, to computers and biotechnology.

## **Mining**

Mining engineers study all phases of extracting mineral deposits from the earth. They design mines and related equipment and supervise their construction and operation. They also work to minimize the environmental effects of mining. These engineers supply energy and rare materials to meet the world's needs.

## **Nuclear**

Nuclear engineers harness the power of the atom to benefit humankind. They search for efficient ways to capture and put to beneficial use those tiny natural bursts of energy resulting from sub-atomic particles that break apart molecules. As a nuclear engineer, you may be challenged by problems in consumer and industrial power, space exploration, water supply, food supply, environment and pollution, health, and transportation. Participation in these broad areas may carry you into many exciting and challenging careers. These may include interaction of radiation with matter, radiation measurements, radioisotope production and use, reactor engineering, and fusion reactors and materials.

## **Petroleum**

Petroleum engineers study the earth to find oil and gas reservoirs. They design oil wells, storage tanks, and transportation systems. They supervise the construction and operation of oil and gas fields. Petroleum engineers are researching new technologies to allow more oil and gas to be extracted from each well. They help supply the world's need for energy and chemical raw materials.

## FREQUENTLY ASKED QUESTIONS ABOUT COLLEGE

**Q. What is the first step I should take if I want to attend college?**

- A. If you want to attend college, you should meet with your high school guidance counselor to get some basic information on the overall application process. All colleges and universities have websites, so visit the ones you are interested in attending and find out about their admissions requirements, tuition costs, and applications for financial aid.

**Q. Is the application process the same for all colleges?**

- A. In most cases, no. There are different applications to complete for each. Most community, private, and public colleges or universities will usually require you to complete a separate application. Some private colleges or universities may ask you to complete a “common application,” which allows you to use the same form to apply to many different schools. For more information on the application and the schools that accept it, check out [Commonapp.org](http://Commonapp.org).

**Q. What else can I do to improve my chances of being admitted to college?**

- A. **GPA/Rigor of Courses:** Colleges consider a wide range of factors when looking at your application, so your best bet is to focus on making yourself an exceptional candidate, which can be done through several means. Make sure to keep your high school GPA up and take challenging courses (AP courses are great, and don't forget about getting college credit before graduation by taking some classes at a nearby college). Work hard to get a good score on standardized tests, such as the SAT and ACT. In addition, community service and extracurricular activities go a long way in showing what a well-rounded student you are. Finally, take time crafting your personal statement and give your teachers plenty of advance notice if you would like them to write a letter of recommendation for you.

**Q. Can I afford to go to college?**

- A. Many sources of financial aid will help you pay for college. See the Financial Aid section in this guide to learn more.

**Q. What courses should I take in high school if I am considering an engineering program in college?**

- A. *Check with the college or university for exact requirements.*

English .....4 Years

Math .....4 Years\*

Science .....3–4 Years

Social Sciences .....2–4 Years

Foreign Language .....2–4 Years

\*Should include algebra, geometry, and calculus

**Q. What is the most effective way to earn the highest GPA possible my first year in college?**

A. Glad you asked. Start by attending all of your classes and developing very good study habits. These two obvious approaches are very important to your success. Quite often, first-year students have developed study habits that could use a little tweaking. So here are additional resources that can help you to perform your best:

- *Seven Secrets of How to Study: Mapping Your Strategy for Better Grades and Parent's Ultimate Education Guide* by Dr. Stephen Jones (Visit [Studyskills2u.com](http://Studyskills2u.com) for more details.)
- *Guaranteed 4.0 Learning System* by Donna O. Johnson (Visit [Guaranteed4.com](http://Guaranteed4.com) for more details.)

## HOW TO USE THIS GUIDE

The *NACME Guide to Engineering Colleges* is designed to be used as a quick reference tool. It provides the basic information needed to help you make informed decisions about which college to attend and what you need to do before and after applying to college. Once you have narrowed down your choices, you can get detailed information on specific colleges from a number of sources, such as The Princeton Review's *Complete Book of Colleges*, which offers comprehensive information on the 480 schools of engineering listed in this guide. An explanation of the selected categories for each school's profile in this guide follows:

**Name of college, Location, Phone, E-mail, Website:** General information

**Enrollment:** The school's total degree-seeking enrollment

**Student body:** Racial/ethnic categories by percentage of total degree-seeking enrollment

**Average high school GPA:** The average high school grade point average of all degree-seeking first year students

**Class rank:** Percentages of first year students in the top 10 percent, 25 percent, and 50 percent of their high school graduating class

**SAT/ACT range:** The range of standardized test scores for the incoming class

**TOEFL:** Minimum scores for the Test of English as a Foreign Language required for admission, if applicable

**Educational opportunity program:** This is a program that offers college admission and academic assistance to historically low-income and educationally disadvantaged students who show the desire and potential to excel in college, but have not been able to realize this due to their economic or educational backgrounds. Note: Higher Educational Opportunity Program (HEOP) is the New York state-sponsored equivalent of the Educational Opportunity Program.

**Conditional admission:** Students who have not satisfied all college admissions requirements may be approved to enter a conditional admission program that offers the opportunity to be considered for full admission upon the fulfillment of academic goals or other requirements. Conditional admittance programs vary widely between different colleges and universities, so be sure to check with each school you're interested in to ensure that they offer the program and what requirements it entails.

**Tuition, Room and board, Required fees, Average book expense:** The base costs for one full year

**Percentage receiving need-based grant aid (first year students/all undergraduates):** The percentage of students receiving gift aid that does not need to be paid back

**Percentage receiving need-based self-help aid (first year students/all undergraduates):** The percentage of students receiving aid in the form of loans or work study

**Percentage receiving any aid (first year students/all undergraduates):** The percentage of students receiving any kind of need-based aid

**Percentage of need met (first year students/all undergraduates):** On average, the percentage of need that was met of students who were awarded any need-based aid

**Number of students in engineering program:** The number of students enrolled in the school's engineering program(s)

**Engineering majors:** Which engineering majors the school offers

**Percentage of engineering degrees:** The percentage of all bachelor's degrees awarded in engineering

Please send comments and feedback to [feedback@nacme.org](mailto:feedback@nacme.org).

# APPLYING TO COLLEGE

## Timeline

### *Freshman Year*

- **Meet with your high school guidance counselor.**
  - Select courses that meet college admissions requirements.
- **Take challenging courses.**
  - Build strong verbal, math, and reasoning skills.
- **Get involved in extracurricular activities.**
  - Join clubs and participate in sports that interest you.
- **Research careers.**
  - Discover jobs that interest you. What do you want to do after college?

### *Sophomore Year*

- **Register and take the PSAT test.**
  - Stay ahead of the game.
- **Continue to stay involved in extracurricular activities.**
  - Keep building on success.
- **Register to take AP courses (calculus, physics, computer science, etc.)**

### *Junior Year*

#### **September**

- Register for and take the PSAT again—practice does make perfect!
- Meet with your guidance counselor to make sure you are taking college-prep courses.
- Strive for good grades so you can maintain and improve your GPA.
- Take AP courses (calculus, physics, computer science, etc.)

#### **December**

- Read your PSAT scores and talk to your guidance counselor about them.
- Register to take the SAT/ACT tests.

#### **January**

- Start searching for scholarships. Use your school library and online resources.
- Apply for summer programs ([careercornerstone.org/pcprogproj.htm](http://careercornerstone.org/pcprogproj.htm)).

#### **February**

- Meet with your guidance counselor to talk about colleges in which you are interested.
- Start preparing for the SAT and ACT tests. Guidebooks with information and sample tests are available at public libraries, bookstores, your school, and online.
- Ask your guidance counselor if your school offers an SAT prep course—if so, join it!



## **March**

- Start making decisions about colleges you are most interested in.
- Call colleges to set up campus tours if you are able to visit them.
- Register for advanced placement (AP) exams (if you are taking any AP courses). ([apstudent.collegeboard.org/takingtheexam](http://apstudent.collegeboard.org/takingtheexam))

## **April**

- Choose your senior year courses to match your science and mathematics college requirements.
- Look into summer jobs, camps, study programs, internships, and even volunteer work.
- Continue looking at colleges and narrow it down to a list of schools to which you will apply.

## **May**

- Take AP exams for any AP courses you took in your junior year.

## **June, July, August**

- If possible, visit the colleges that interest you with your family.
- Prepare for the SAT and ACT tests.

## **Senior Year**

### **September**

- Apply for a Free Application for Federal Student Aid (FAFSA) Personal Identification Number (PIN) ([FAFSA.ed.gov](http://FAFSA.ed.gov)).
- Sign up to retake the SAT and ACT tests. Don't worry—only your highest scores will count!
- Meet with your guidance counselor to make sure you have the right courses to apply to an engineering program.
- Get applications from the colleges you will apply to by going to their websites.
- Make sure you keep your grades up during your senior year—they still matter!

### **October/November**

- Talk to your guidance counselor about waiving college application fees.
- Make sure you know the deadline for your college applications.
- Begin asking your teachers and others for letters of recommendation.
- Start submitting applications to colleges.
- Check with your counselor and online for information about scholarships, and start applying.

### **December**

- File your last college application!
- Obtain a FAFSA form ([FAFSA.ed.gov](http://FAFSA.ed.gov)).
- Have your SAT and ACT scores sent to the colleges in which you are interested.

## January

- Ask your counselor to send your high school transcript to colleges to which you have applied.
- Fill out the FAFSA form with your parents and ask your guidance counselor to review it.
- Apply for NACME Pre-Engineering Scholarship ([nacme.org/scholarships](http://nacme.org/scholarships)).

## February, March, April

- Submit your FAFSA form.
- Check with colleges to make sure they received your application.
- By now, you should be getting responses from the schools you applied to, which are all hopefully acceptances with generous financial aid packages. Now it's time to decide on the college you'll attend.
- Apply for summer enrichment programs to get used to the rigors of college engineering programs before the rest of the student body arrives on campus in the fall.
- Deadline for NACME Pre-Engineering Scholarship application ([nacme.org/scholarships](http://nacme.org/scholarships)).

## May

- Notify your selected college that you will be attending.
- Take AP exams for any AP courses you took in your senior year.

## June

- Ask your guidance counselor to mail your final high school transcript to the college you will attend.

## Factors

Besides completing college applications, you need to consider the following factors that will influence your chances of being accepted.

**Standardized Tests:** Most colleges require that you take standardized tests such as the SAT and ACT as part of the application process. Speak to your school counselor about books, classes, and online resources available to help you prepare for these tests. You should take both the SAT and ACT early in your junior year and then again in your senior year.

**Personal Statement/Essay:** Some colleges and universities will require you to complete a personal statement or a series of essays. That is why it's always a good idea to look ahead of time into what each application for admission requires. Give yourself enough time to write several drafts of your essay/personal statement and share them with your parents, teachers, friends, and others who can give you feedback. For examples of essays that worked, check out a copy of *College Essays that Made a Difference* at your local bookstore. For more tips, visit [CollegeBoard.com](http://CollegeBoard.com).

**Letters of Recommendation:** Many private colleges and universities will require you to submit two or three letters of recommendation. Request these letters from a teacher, counselor, school administrator, employer, or other individual outside of your family who can speak about your strengths and talents. Be sure to ask if the person can write a very good letter of recommendation on your behalf. It's important that the person writing the recommendation have a good understanding of your academic history, interests, and goals.

**Community Service/Extracurricular Activities:** Get involved! Having good grades is important, but equally so is being involved in your community. There are plenty of great opportunities all around you to help others and gain leadership, problem solving, and critical thinking skills.

**College Credit in High School:** Students are often eligible to receive college credit while still enrolled in high school. For example, AP courses offer high school students the chance to gain college credit and save on tuition. Ask your high school counselor if AP courses are available at your school.

## HOW TO SELECT THE RIGHT COLLEGE FOR YOU

The surefire way to choose the right college is having the right information. Do your research beforehand and rely on your family, teachers, and counselors for support. Every school listed in this guide offers an engineering education, yet there are many aspects about a school that influence whether or not it is the right school for you. Though this guide doesn't "rate" schools or suggest which will be the best fit for you, it will provide you with some important factors that will influence your college decision.

### **Type**

#### **What kind of an academic environment will you excel in?**

- Community college (two-year)
- College or university (four-year)
  - o Public or private
  - o Religious affiliation

### **Size**

#### **What size school are you comfortable with?**

- Under 1,000 students (small community)
- 1,000–5,000 students (medium-sized community)
- 5,000–15,000 students (large community)
- Over 15,000 students, etc. (vast community)

### **Location**

#### **What kind of an environment do you feel comfortable in?**

Far from home, close to home, urban (city), suburban (near a city), rural setting, etc.

### **Facilities**

#### **What things do you need to have a great college experience?**

- Academic: library, small/big classrooms, lecture halls, science labs, computer labs, art, music and theater facilities, etc.
- Athletic: varsity and non-varsity facilities, gym, etc.
- Residential and student life: single-sex or coed dorms, meal plans and dining hall options, bookstores, etc.

## **College Visits**

If you have the chance, you should definitely plan to visit your top college or university choices before making a final decision. Here's a list of things you can do to facilitate your decision:

- Take a campus tour.
- Attend a class and eat in the dining hall.
- Read the student newspaper.
- Look at bulletin boards to see what's going on around campus.

## **Community Colleges—An Interim Pathway to Engineering Careers**

Almost half of all (full- and part-time) undergraduates are enrolled in community colleges (\*). Community colleges are another place to start your post-secondary education. Low tuition, convenient locations, open admissions, and comprehensive course offerings are among the reasons many students choose to begin at community colleges. Community colleges play an important role in producing engineers. In 2008, 44.4 percent of graduates with bachelor's degrees in engineering reported that they attended community college, and 8.1 percent reported that they earned their associate's degree (\*\*). Transfer and articulation agreements permit students to complete the math, science, and introduction to engineering courses and other liberal arts requirements at community colleges before transferring as juniors to four-year schools of engineering. In the landmark *2010 NACME Community College Transfer Study*, it was determined that twenty-one percent of NACME Scholars had transferred from a two-year to a four-year NACME Partner Institution; NACME transfer students had achieved higher grade point averages (GPAs) than traditional, four-year NACME Scholars; and transfer students were more likely than those who had started at four-year schools to be retained (enrolled or graduated) as of the 2008–2009 academic year.

## **College Internet Resources**

The internet offers a lot of information on colleges. Make sure to visit the websites of the colleges or universities you're interested in. The following websites provide general information regarding college programs, admittance, and attendance:

CollegeBoard.com	PrincetonReview.com
CollegeIsPossible.org	mycollegeoptions.org

## **College Letters of Acceptance or Rejection**

Between December and May of your senior year, you will receive letters from the colleges or universities to which you applied. Depending on the letter, you might be accepted, conditionally accepted, wait listed, or rejected, with each decision based on many diverse factors. If you receive a rejection letter, don't be discouraged by this minor setback—move forward and review your remaining options.

(\*) Tsapogas, J. (2004). *The Role of Community Colleges in the Education of Recent Science and Engineering Graduates*. Arlington, VA: National Science Foundation.

(\*\*) National Science Foundation/National Center for Science and Engineering Statistics, *National Survey of Recent College Graduates*, 2008.

## FINANCIAL AID

The cost of college can be intimidating. No, the cost of college is intimidating! But you shouldn't let the cost of education dictate where you choose to apply. If you find a college that's a great fit for you—apply—even if the tuition is hefty. The fact is, few people pay the actual costs. With the grants, scholarships, loans, and work study that are available, you may find that the most expensive school to which you apply becomes the most affordable.

The whole point of financial aid is to bridge the gap between what you can afford to pay for school and what the school charges. The sooner you understand the process, the sooner you'll come out ahead and avoid a lot of the stress. The best thing to do right now is to examine your options and decide what path will best suit your financial needs.

The first step in requesting financial aid is filling out your FAFSA, the Free Application for Federal Student Aid, which determines your eligibility for need-based financial aid. This is a very important step in determining your financial aid package. You can find the form and more information at [FAFSA.ed.gov](http://FAFSA.ed.gov).

### Who Is Eligible for Financial Aid? You Are!

Nothing in life is certain but your odds of being eligible for financial aid are pretty good. Most full-time undergraduate students receive some kind of financial aid.

#### 1. If I go to college part time, am I eligible for financial aid?

Financial aid is available for part-time students. Check with the college's financial aid office for information on aid for part-time students.

#### 2. If I'm not a U.S. citizen, do I qualify?

If you have a F1 or F2 visa, *you are not* eligible for financial aid. But if you are a U.S. permanent resident with an I-551 or I-551c or you fit under one of the following classifications with an I-94, then *you are* eligible for aid:

- Refugee
- Asylum granted
- Cuban-Haitian entrant
- Conditional entrant
- Parolee

## Types of Financial Aid

### **Scholarships and Grants**

These are the best forms of financial aid because they don't have to be paid back. The catch is that most scholarships require a minimum GPA and some grants are good for only one year. When evaluating your payment options, make sure there is a reasonable expectation that the financial aid package being offered will be available for the full term of the degree requirement. For help with scholarships, check out The Princeton Review's online scholarship search at [PrincetonReview.com](http://PrincetonReview.com).

### **Loans**

When scholarships, grants and savings don't cover the full cost of attendance, many students take out loans to help out with the rest. Both the federal government and private commercial lenders offer educational loans to students. Federal loans are usually the first place borrowers turn to because many are subsidized by the federal government and offer generous interest rates. Private loans, on the other hand,

have fewer restrictions on borrowing limits, but may have higher interest rates and stricter qualification criteria.

### **Federal Loans**

For many students seeking financial aid, the Stafford Loan is the typical place to start. The Stafford Loan Program features a capped interest rate and yearly limits on the maximum amount a student can borrow. Stafford Loans can either be subsidized (the government pays the interest while the student is in school) or unsubsidized (the student is responsible for the interest that accrues while in school). The maximum total of Stafford Loans that dependent students can borrow in their undergraduate programs is \$31,000, and the maximum total of subsidized Stafford Loans they can borrow is \$23,000.

### **Private Loans**

Private student loans can cover the costs of higher education when other sources of funding have been exhausted. Private loans can also pay expenses that federal loans can't, such as application and testing fees, room and board expenses, and the cost of transportation and books. However, it's important to keep in mind that while private loans don't have annual borrowing limits, they do have higher interest rates and aren't protected under interest caps.

### **Earned Money**

Another form of financial aid is provided through the Federal Work-Study Program. The information you provide in your FAFSA will determine your eligibility to qualify for a part-time job on campus. Corporate internships, off-campus and/or summer jobs can also be a source of earned money.

Ultimately, the best way to get the most money for college is to be in the know when it comes to your options and opportunities. The Princeton Review's website, PrincetonReview.com, offers an incredible array of financial aid information and advice so that you'll know where and when to look for scholarships, grants and loans, not to mention what questions to ask to ensure that you get the best deal possible for your future.

### **College Costs**

The cost of attending college varies from school to school. You should consider two different costs when finding out the total expense:

- Direct Costs: Tuition, room and board (if you will live on campus)
- Indirect Costs: Books, a computer, transportation, other expenses

Don't let the cost of a particular college discourage you from applying to it. Look at the example below to see how financial aid is awarded based on total college cost and need.

### **Comparing Cost/Aid**

	<b>College A</b>	<b>College B</b>
Annual cost	\$11,900	\$27,800
Grants	-1,600	-7,800
Scholarships	0	-8,400
Work study	1,100	-2,200
Loan	-6,500	-6,500
<b>Financial aid</b>	<b>\$9,200</b>	<b>\$24,900</b>
<b>Student cost*</b>	<b>\$2,700</b>	<b>\$2,900</b>

\*Can be paid through part-time work, summer internship, parental support, etc.

## Internet Sources for Financial Aid (Loan, Grants, and Scholarships)

- [College-scholarships.com](http://College-scholarships.com)
- [Collegefund.org](http://Collegefund.org) (Native American)
- [Ed.gov/finaid.html](http://Ed.gov/finaid.html)
- [Fastweb.com](http://Fastweb.com)
- [Finaid.org](http://Finaid.org)
- [Gocollege.com](http://Gocollege.com)
- [Hsf.net](http://Hsf.net) (Hispanic)
- [Nacme.org](http://Nacme.org) (African American, American Indian, Latino)
- [Scholarships.com](http://Scholarships.com)
- [Scholarshipsforhispanics.org](http://Scholarshipsforhispanics.org) (Hispanic)
- [Srnespress.com](http://Srnespress.com)
- [Thurgoodmarshallfund.net](http://Thurgoodmarshallfund.net) (African American)
- [Uncf.org](http://Uncf.org) (African American)

## Searching for Scholarships

### ***Deadlines***

Deadlines for scholarships will approach very fast, so get organized, mark your calendar, and give yourself plenty of time to find scholarships, request applications, receive them, complete them, and submit them.

Deadlines usually occur between December and April, so get a head start and begin researching scholarships the summer before your senior year. Scholarships often are limited and are awarded on a first-come, first-served basis.

### ***Scams***

Check with your guidance counselor before signing up for any companies that make you pay for searching for scholarships. *Remember:* No one can guarantee you a scholarship.

## ENGINEERING INTERNET RESOURCES

National Action Council for Minorities in Engineering, Inc. (NACME) [NACME.org](http://NACME.org)  
American Academy of Environmental Engineers & Scientists (AAEES) [AAEES.org](http://AAEES.org)  
American Association of Engineering Societies (AAES) [AAES.org](http://AAES.org)  
American Indian Science and Engineering Society (AISES) [AISES.org](http://AISES.org)  
American Institute of Aeronautics and Astronautics (AIAA) [AIAA.org](http://AIAA.org)  
American Institute of Chemical Engineers (AIChE) [AIChE.org](http://AIChE.org)  
American Institute of Physics (AIP) [AIP.org](http://AIP.org)  
American Nuclear Society (ANS) [ANS.org](http://ANS.org)  
American Society for Engineering Management (ASEM) [ASEM.org](http://ASEM.org)  
American Society of Agricultural and Biological Engineers (ASABE) [ASABE.org](http://ASABE.org)  
American Society of Civil Engineers (ASCE) [ASCE.org](http://ASCE.org)  
American Society for Engineering Education (ASEE) [ASEE.org](http://ASEE.org)  
American Society for Metals (ASM) [ASM-intl.org](http://ASM-intl.org)  
American Society of Mechanical Engineers (ASME) [ASME.org](http://ASME.org)  
Architectural Engineering Institute (AEI) [ASCE.org/AEI](http://ASCE.org/AEI)  
Biomedical Engineering Society (BMES) [BMES.org](http://BMES.org)  
DiscoverE [discovere.org](http://discovere.org)  
Engineering Technology Education (ETE) [ETEducation.org](http://ETEducation.org)  
Great Minds in STEM™ <http://www.greatmindsinstem.org/>  
Institute of Electrical and Electronics Engineers (IEEE) [IEEE.org](http://IEEE.org)  
IEEE Oceanic Engineering Society (OES) [OceanicEngineering.org](http://OceanicEngineering.org)  
International Council on Systems Engineering (INCOSE) [INCOSE.org](http://INCOSE.org)  
Institute of Biological Engineering (IBE) [IBE.org](http://IBE.org)  
Institute of Industrial Engineers (IIE) [IIE.net](http://IIE.net)  
Mexican American Engineering Society (MAES) [MYMAES.org](http://MYMAES.org)  
Minerals, Metals and Materials Society (TMS) [TMS.org](http://TMS.org)  
National Academy of Engineering of the National Academies (NAE) [NAE.edu](http://NAE.edu)  
National Association of Multicultural Engineering Program Advocates, Inc. (NAMEPA) [NAMEPA.org](http://NAMEPA.org)  
The National Society of Black Engineers (NSBE) [NSBE.org](http://NSBE.org)  
National Society of Black Physicists (NSBP) [NSBP.org](http://NSBP.org)  
National Society of Professional Engineers (NSPE) [NSPE.org](http://NSPE.org)  
Society for Mining, Metallurgy and Exploration (SME) [SMENET.org](http://SMENET.org)  
Society of Automotive Engineers (SAE International) [SAE.org](http://SAE.org)  
Society of Engineering Science, Inc. (SES) [SESinc.org](http://SESinc.org)  
Society of Hispanic Professional Engineers (SHPE) [SHPE.org](http://SHPE.org)  
Society of Petroleum Engineers (SPE) [SPE.org](http://SPE.org)  
Society of Women Engineers (SWE) [SWE.org](http://SWE.org)  
Technology Student Association (TSA) [tsaweb.org](http://tsaweb.org)  
Women in Engineering ProActive Network (WEPAN) [WEPAN.org](http://WEPAN.org)



## INTRODUCCIÓN

*La Guía NACME de Universidades de Ingeniería* contiene una descripción completa de las universidades de Ingeniería de pregrado en los Estados Unidos que cuenta con al menos un currículo o plan de estudios acreditado por el Comité de Acreditación para la Ingeniería y la Tecnología (ABET, por sus siglas en inglés). También contiene información relevante para escoger una universidad, así como una guía sobre ayuda financiera.

### ¿QUÉ ES LA INGENIERÍA?

La ingeniería es una de las carreras más emocionantes que existen hoy en día. No hay profesión que motive la innovación tanto como la ingeniería. En el campo de investigación y en las aplicaciones de la vida real, los ingenieros investigan constantemente como mejorar nuestras vidas y crean soluciones inesperadas en donde conectan la ciencia con la vida. Pocas carreras convierten tantas ideas en realidad y tienen un efecto tan positivo y directo en la vida cotidiana. Por suerte, contamos con los ingenieros y su imaginación para ayudar con los problemas y las necesidades del siglo XXI.

La Ingeniería es una profesión que lo puede llevar desde las profundidades del océano hasta los extremos lejanos del espacio exterior y desde los confines microscópicos de una célula humana a la cima del rascacielos más alto. Así sea trabajando con teléfonos celulares, cámaras digitales, DVDs, aparatos de reconocimiento de huellas dactilares y mucho más, los ingenieros están detrás de casi todas las tecnologías más asombrosas de hoy en día. Los ingenieros son expertos en resolver problemas y buscan maneras más rápidas, mejores y menos costosas para crear soluciones a los desafíos del presente.

### ¿POR QUÉ ESCOGER INGENIERÍA COMO UNA CARRERA?

Existen muchos tipos de carreras en ingeniería; desde diseñar aviones comerciales y aviones de combate en la ingeniería aeroespacial a construir nuevos motores en la ingeniería mecánica y a diseñar videojuegos y programas de computador en la ingeniería de sistemas. La lista de profesiones es casi ilimitada y no hay otro tipo de carrera que ofrezca más opciones. Mejor aún, ¡los ingenieros ganan un salario promedio que es considerablemente más alto de lo que la mayoría de las otras carreras ofrecen!. Para tener una guía sobre salarios en diferentes carreras, visite [Salary.com](http://Salary.com).

### TIPOS DE INGENIERÍA

A continuación aparece una breve descripción de los diferentes tipos de programas de ingeniería. Es importante que se consulte la universidad a la que se va a solicitar entrada para determinar si ofrece el programa que le interesa.

#### Ingeniería Aeroespacial

Los ingenieros aeroespaciales diseñan, analizan, hacen modelos, simulan, y experimentan con aviones, astronautas, satélites, misiles, y cohetes. La tecnología aeroespacial también se puede usar para otras aplicaciones de objetos móviles dentro de gases o de líquidos. Algunos ejemplos son el comportamiento de las pelotas de golf, trenes de alta velocidad, barcos hidrodeslizadores, o edificios altos y cómo reaccionan con el viento.

Una de las posibilidades como ingeniero aeroespacial podría ser trabajar en la misión aeroespacial de Orion, en la que se planea poner a los astronautas a Marte para el año 2020. También el ingeniero aeroespacial se involucra en el desarrollo de la nueva generación de telescopios espaciales que muchas veces son el origen de descubrimientos cosmogónicos que contribuyen a la cosmografía del universo. Aun, el espacio es solo una de las muchas áreas que se pueden explorar como ingeniero aeroespacial. También se puede trabajar con aviones comerciales, aviones militares, o helicópteros. O más plantado en la tierra, se pueden diseñar vehículos nuevos para viajar por mar o por tierra incluyendo trenes de alta velocidad, autos de carreras, o naves submarinas que exploran la vida bajo el mar.

## **Ingeniería Agrónoma y Biológica**

Los ingenieros agrónomos usan su conocimiento de tecnología y ciencia y la dedican al uso eficiente de los recursos biológicos. Además de crear nuevas tecnologías en la rama agrícola, los ingenieros agrónomos utilizan el diseño y el análisis para proteger los recursos naturales, desarrollar sistemas de apoyo agrícola y, también, para proporcionar controles en el medio ambiente.

## **Audio Ingeniería**

Mucha gente no valora los sonidos diarios. Es una gran sorpresa descubrir que el invento del audio es un esfuerzo único que combina el arte y la ciencia. En algún momento, nos hemos preguntado cómo se produjeron los sonidos en un juego de video, una película, un programa de televisión, o un concierto. En esta especialidad hay miles de trabajos que son intrigantes y al mismo tiempo son muy gratificadores.

Hay muchas opciones en la carrera de audio ingeniería. Uno puede ser un músico, o simplemente estar interesado en los sonidos y la electrónica. A uno le puede gustar la idea de trabajar con gentes que producen y actúan en una de las muchas facetas del entretenimiento. Se puede encontrar trabajo demandante y gratificador en la audio ingeniería.

## **Bioingeniería y Bioquímica**

Los ingenieros en biología estudian los sistemas vivos y aplican ese conocimiento para resolver varios problemas. Estudian la contaminación y como asegurarse de que la comida se puede consumir sin ningún riesgo, como mantener organismos vivos en el proceso de fermentación, y como diseñar sensores basados en la biología. Es común que se use la bioingeniería para destruir desechos y para limpiar la tierra y agua contaminada. Estos ingenieros contribuyen mucho al medio ambiente y a la salud humana.

## **Ingeniería Biomédica**

Los ingenieros biomédicos estudian la biología y la medicina para desarrollar tecnologías relacionadas a la industria médica. Desarrollan máquinas que ayudan en el diagnóstico de enfermedades, instrumentos médicos, órganos artificiales, articulaciones artificiales o partes de las articulaciones, prótesis y aparatos prostéticos. El rápido progreso en estas áreas probablemente continuará durante gran parte de su vida.

## **Ingeniería con Cerámica y de Materiales**

Los ingenieros en cerámica y de materiales resuelven los problemas usando sus habilidades creativas y técnicas. Pueden crear productos útiles en muchas formas desde los más comunes hasta los más exóticos. Usamos estos productos diariamente. Cada vez que usamos el teléfono, el ordenador o cuando calentamos la comida en el microondas estamos usando productos creados por las invenciones y diseños de los ingenieros que trabajan con cerámica y con otros materiales.

## **Ingeniería Química**

Todo lo que nos rodea está hecho de sustancias químicas. Los cambios químicos se pueden usar para producir muchos tipos de productos muy útiles. Los ingenieros químicos descubren y fabrican plástico, pintura, combustibles, fibra, medicina, fertilizante, dispositivos semiconductores, papel y muchos tipos de mejores sustancias químicas. Los ingenieros químicos también cumplen un papel muy importante al proteger el medio ambiente, inventar tecnologías seguras para el ser humano y su medio, calcular impactos medioambientales, y estudiar el destino de sustancias químicas y cómo reaccionan con el medio ambiente.

## **Ingeniería Civil**

¿Cuánta satisfacción puede dar el conocimiento de cómo construir una escuela que pueda sufrir y sobrevivir un terremoto, de cómo diseñar un sistema periférico que mejora los atascamientos de tráfico, o un estadio deportivo que ofrece una vista fenomenal para todo mundo? El trabajo de un ingeniero civil consiste en supervisar la construcción y la infraestructura de lo que forma nuestro mundo: las carreteras, los rascacielos, las vías de tren, los puentes, las presas y las plantas hidroeléctricas, además de ser parte

de algunas de las maravillas de la ingeniería. Algunos ejemplos de grandes obras de la ingeniería civil son: el edificio más alto del mundo, Burj Khalifa en Dubai, o el Chunnel, el túnel que corre bajo del Canal de la Mancha y mide 31 millas. Es un dicho muy común entre los ingenieros civiles, los arquitectos son los que diseñan en papel pero los ingenieros son los que construyen.

## **Ingeniería Computacional**

La ingeniería computacional es el diseño, la construcción, la implementación, y el mantenimiento de computadoras y todo el equipo para el beneficio de la humanidad. Muchas universidades ofrecen ingeniería computacional como un programa con un título específico o como una sub-disciplina de ingeniería eléctrica. Con la integración y el uso extenso de las computadoras en la vida cotidiana, es muy difícil separar lo que necesita saber un ingeniero eléctrico y un ingeniero computacional. Para resolver este dilema, muchas universidades ofrecen una doble titulación en ingeniería eléctrica y computacional.

## **Ciencias de la Computación**

La informática se extiende el rango de teoría a través de la programación al desarrollo de vanguardia de soluciones informáticas. A diferencia de los ingenieros eléctricos e informáticos, científicos de la computación se ocupan en su mayoría con software y sistemas de software. El trabajo de los científicos de la computación se divide en tres categorías: a) el diseño y la construcción de software; b) el desarrollo de formas eficaces para resolver problemas de computación, tales como el almacenamiento de información en bases de datos, el envío de datos a través de redes, o la prestación de nuevos enfoques a los problemas de seguridad; y c) la elaboración de nuevas y mejores formas de utilizar las computadoras y hacer frente a desafíos particulares en áreas como la robótica, la visión por computador, o análisis forense digital.

## **Ingeniería Electrónica**

Un ingeniero electrónico puede desarrollar algunos de los componentes que más nos divierten en nuestra vida cotidiana (reproductores de MP3, cámaras digitales, o montañas rusas) además de los más esenciales (exámenes médicos o sistemas de comunicación). Este es el campo más grande de ingeniería que incluye lo macro (por ejemplo, centrales eléctricas enormes que iluminan ciudades) además de lo micro (como un aparato del tamaño de un milímetro que señala cuando se abren las bolsas de aire de un coche). Un ingeniero electrónico puede trabajar en robótica, redes computacionales, comunicación inalámbrica, o en la formación de imágenes para análisis médicos. Todas son áreas prominentes en la innovación tecnológica.

## **Ingeniería Medioambiental**

La ingeniería medioambiental es el estudio de la manera en que se puede proteger el medio ambiente. A muchos nos importa impedir la contaminación del medioambiente y proteger nuestros recursos naturales. Si uno tiene la pasión y la motivación para resolver los problemas del medio ambiente, y también tiene los recursos para hacer algo sustantivo para resolverlos, la respuesta es la ingeniería medioambiental. Un ingeniero medioambiental puede influir y hacer una gran diferencia en la sobrevivencia del mundo si encuentra la manera de limpiar nuestros mares, ríos y, en general, el agua potable. Si desarrolla equipos contra la contaminación y diseña sistemas más efectivos para el reciclaje, o descubre maneras seguras para deshacerse de contaminantes tóxicos.

## **Ingeniería Geológica y Geofísica**

Ingenieros geológicos y geofísicos utilizan la ciencia de geología para estudiar la tierra. Usan los principios de ingeniería para buscar y desarrollar depósitos de recursos naturales y diseñar cimientos para edificios grandes, puentes, y otras estructuras. Algunos campos relacionados son la ingeniería civil, mineral, de minería, y del petróleo.

## Ingeniería Industrial

La ingeniería industrial determina la manera más eficaz para utilizar gente, máquinas, materiales, información, y la energía para hacer un producto o para dar un servicio. A veces los llaman “los expertos en eficiencia.”

Las personas que son organizadas, tienen una perspectiva global de los problemas, y tienen el deseo de analizar cómo podrían trabajar mejores las cosas, pueden ser ingenieros industriales productivos. El trabajo en ingeniería industrial involucra organizar a la gente, los lugares, el equipo y la información. Al mismo tiempo se tiene que asegurar que los sistemas complejos y de gran escala se mantengan seguros y eficaces.

Por ejemplo, ellos pueden mantener el orden y los sistemas del cuarto de operaciones en un hospital. Pueden asegurarse que una cadena de montaje corra eficientemente tanto para los trabajadores como para las máquinas. Pueden hacer la vida más fácil buscando maneras para reducir las líneas de espera en los parques de atracciones o supervisar que una cadena de tiendas siempre tenga todas las tallas de jeans en reserva.

Aunque casi todos los ingenieros industriales trabajan en industrias de fabricación, también pueden trabajar en empresas consultoras, servicios médicos y comunicaciones.

## Ingeniería de Fabricación

Fabricación significa hacer las cosas. Los ingenieros de fabricación dirigen y coordinan el proceso de hacer las cosas de principio a fin. Las fábricas emplean ingenieros de fabricación cuando quieren mejorar los productos y bajar los costos. Ellos trabajan en todos los aspectos de la fabricación desde el control de producción hasta tratamiento de los materiales y la automatización. La cadena de montaje cae bajo el dominio del ingeniero de fabricación. Algunas de las tecnologías más avanzadas en este campo son la manufactura de las herramientas para máquinas y la robótica.

El principio del proceso de fabricación involucra crear prototipos o modelos del producto que se desea obtener. Antes, estos prototipos estaban hechos de madera o de arcilla, un proceso muy parecido a esculpir. Pero en estos tiempos, el proceso de hacer prototipos es lo más reciente en la tecnología. Hay varios tipos de sistemas disponibles, pero uno de los más novedosos se llama “stereolithography.” Un láser controlado por la computadora se mueve rápidamente dentro de plástico líquido y forma un parte sólida que entonces se saca del líquido. Los ingenieros de fabricación utilizan sistemas que producen prototipos rápidamente para reducir el tiempo de producción y los costos y dar más tiempo para la mercadotecnia del producto.

## Ingeniería Marina y Oceánica

Estos campos de ingeniería son muy cercanos y tratan con todo tipo de diseño de vehículos oceánicos, sistemas de propulsión marina y estructuras marinas como puertos, muelles y plataformas para la excavación petrolera en mar abierto. Estos ingenieros están explorando y desarrollando los recursos naturales y los sistemas de transporte en el mar.

\*\*Imáginate una nave investigativa que está suspendida sobre la superficie del mar a casi doscientas millas de la costa del estado de Washington. Está manipulada por satélites de navegación que están a cientos de millas por encima de la nave. Un cable muy fina de hilos fibroópticos y conductores eléctricos conecta la nave con un vehículo robótico que está en el piso del mar a 7,000 pies bajo la superficie y está manipulado por control remoto mientras que transmite secuencias de alta definición en vivo de fisuras de ventilación volcánicas y formas de vida extrañas. El video está conectado en vivo a un satélite de comunicaciones 22,500 millas arriba y desde allí transmite a los salones de clase de costa a costa.

## **Ingeniería Mecánica**

Un ingeniero mecánico puede crear un candado de bicicleta o un portaviones, un juguete de niños o un motor de coche híbrido, una silla de ruedas o un velero. Sencillamente, todo lo imaginable que involucra un proceso mecánico. Puede ser un producto innovador o un aparato médico que salva vidas. En general, uno se refieren a los ingenieros mecánicos como a los médicos de cabecera de la carrera de ingeniería. Son los que trabajan en casi todas las áreas de la tecnología, desde lo aeroespacial y automotriz hasta la computación y la biotecnología.

## **Ingeniería de Minas**

Los ingenieros de minas estudian todas las fases del proceso de extraer depósitos minerales de la tierra. También diseñan minas y las máquinas relacionadas; supervisan la construcción y su operación. Además trabajan para minimizar los efectos de los residuos de la minería en el medio ambiente, estos ingenieros proporcionan la energía y los materiales minerales para el mundo entero.

## **Ingeniería Nuclear**

Los ingenieros nucleares se aprovechan del poder de los átomos para beneficiar la especie humana. Ellos buscan la manera más eficaz para capturar y usar la energía natural que resulta cuando las partículas subatómicas rompen las moléculas. El ingeniero nuclear puede resolver los problemas de energía industrial y de consumo individual, la exploración espacial, los fondos de agua y de comida, el medio ambiente y la contaminación, la salud, y el transporte. La participación en estas áreas tan amplias puede guiar al futuro ingeniero en muchas direcciones emocionantes y desafiantes. Estas áreas pueden incluir la interacción de la radiación con material, las medidas de la radiación, la producción y el uso de radioisótopos, la ingeniería de reactores, reactores de fusión y los materiales.

## **Ingeniería Petrolera**

Los ingenieros petroleros estudian la tierra para encontrar petróleo y embalses de gas. Diseñan pozos petroleros, tanques de almacenamiento y sistemas de transporte. Supervisan la construcción y la operación de campos petroleros y de gas. Los ingenieros petroleros están buscando nuevas maneras para extraer más petróleo y gas de cada pozo. Ayudan a investigar la necesidad de energía y sustancias químicas primas.

° Source: [www.eweek.org](http://www.eweek.org)

## PREGUNTAS FRECUENTES ACERCA DE LA UNIVERSIDAD

- P. ¿Cuál es el primer paso que debo tomar si quiero ir a la universidad?**
- R. Si quiere ir a la universidad usted debe reunirse con su consejero de la escuela secundaria para obtener información básica sobre el proceso general de solicitud. Todas las universidades tienen páginas en Internet, así que visite aquellas en las cuales esté interesado en asistir y obtenga información sobre los requisitos de admisión, costos educativos y solicitudes para obtener ayuda financiera.
- P. ¿Es el proceso de solicitud igual para todas las universidades?**
- R. En la mayoría de casos, no. Cada una tiene diferentes solicitudes que se tienen que completar. La mayoría de las universidades públicas, privadas y de la comunidad, generalmente le pedirán que complete una solicitud por separado. Algunas universidades privadas podrían pedirle que complete una “solicitud común”, la cual le permite usar el mismo formulario para solicitar su ingreso en muchas y diferentes instituciones. Para más información sobre la solicitud y las universidades que la aceptan, visite [Commonapp.org](http://Commonapp.org).
- P. ¿Qué más puedo hacer para mejorar mis oportunidades de ser admitido a una universidad?**
- R. **GPA/Intensidad de las materias:** Las universidades consideran una amplia variedad de factores cuando revisan su solicitud, así que lo mejor que puede hacer es enfocarse en mostrarse como un candidato excepcional, lo cual puede lograrse de diferentes maneras. Mantenga su GPA de la escuela secundaria alto y tome materias desafiantes (los cursos AP son estupendos, y no se olvide de tomar, antes de la graduación, algunas clases en una universidad cercana para obtener créditos de universidad). Trabaje duro para obtener un buen puntaje en exámenes estandarizados, como el SAT y el ACT. Además, el servicio comunitario y las actividades fuera del plan de estudios son factores muy útiles para demostrar lo íntegro que es usted como estudiante. Finalmente, tome el tiempo necesario elaborando su carta de presentación y avísele a sus profesores con tiempo si desea que escriban una carta de recomendación para usted.
- P. ¿Puedo aprontar financieramente el ir a la universidad?**
- R. Existen muchas fuentes de ayuda financiera que lo ayudarán a pagar los costos de la universidad. Vea la sección de Ayuda Financiera en esta guía para obtener más información.
- P. ¿Qué cursos debo tomar en la escuela secundaria, si estoy considerando un programa de ingeniería en la universidad?**
- R. *Verifique con la universidad cuales son exactamente los requisitos.*
- |                         |          |
|-------------------------|----------|
| Inglés.....             | 4 años   |
| Matemáticas .....       | 4 años*  |
| Ciencias.....           | 3–4 años |
| Ciencias Sociales.....  | 2–4 años |
| Lengua Extranjera ..... | 2–4 años |
- \*Debe incluir álgebra, geometría, y cálculo

**P. ¿Cuál es la manera más eficaz para ganar el máximo GPA posible durante mi primer año en la universidad?**

R. Me alegra que lo pregunte. Para empezar, asistiendo a todas sus clases y desarrollando hábitos de estudio muy buenos. Estos dos enfoques obvios son muy importantes para su éxito. Muy a menudo, estudiantes del primer año han desarrollado hábitos de estudio que podrían utilizar un poco de ayuda. Así que, aquí están los recursos adicionales que pueden ayudarle a realizar su mejor esfuerzo.

*Seven Secrets of How to Study: Mapping Your Strategy for Better Grades and Parent's Ultimate Education Guide* por el autor Dr. Stephen Jones (Consulte Studyskills2u.com para obtener más detalles.)

*Guaranteed 4.0 Learning System* por el autor Donna O. Johnson (Consulte Guaranteed4.com para obtener más detalles.)

## CÓMO USAR ESTA GUÍA

La *Guía NACME de Universidades de Ingeniería* está diseñada para ser utilizada como una herramienta de referencia rápida, como también le proporciona la información básica requerida para tomar decisiones informadas sobre a qué universidad asistir y lo que necesita hacer antes y después de solicitar ingreso a ellas. Una vez haya reducido sus opciones, puede obtener información detallada sobre universidades específicas de varias fuentes, como el libro *Complete Book of Colleges* (Libro completo de universidades) de The Princeton Review, el cual ofrece información detallada sobre las 480 universidades de ingeniería enumeradas en esta guía. La siguiente es una explicación de las categorías seleccionadas en esta guía para el perfil de cada universidad:

**Name of college, Location, Phone, E-mail, Website:** Información general.

**Enrollment:** El total matriculado de la universidad que buscan un título.

**Student body:** Categorías raciales/étnicas según el porcentaje del total de los matriculados que buscan un título.

**Average high school GPA:** El promedio del promedio ponderado de escuela secundaria de todos los estudiantes de primer año que buscan un título.

**Class rank:** Porcentajes de los estudiantes de primer año que en la escuela secundaria ocuparon el 10%, 25% y 50% más alto de su clase de graduación.

**SAT/ACT range:** El rango de puntajes de exámenes estandarizados para la clase entrante. TOEFL: Puntajes mínimos del TOEFL (examen de Inglés como lengua extranjera) requeridos para la admisión; si se aplica.

**Educational opportunity program:** Este es un programa que ofrece asistencia académica y apoyo para ingresar a la universidad a los estudiantes que históricamente han presentado bajos ingresos y desventajas, y que demuestran su deseo y potencial para sobresalir en la universidad, pero que no han logrado conseguir hacerlo debido a su procedencia económica o educativa. Nota: Programa de Oportunidad para Educación Terciaria (*Higher Educational Opportunity Program/HEOP*) es el patrocinio en el Estado de Nueva York equivalente al Programa de Oportunidad para Educación (*Educational Opportunity Program*).

**Conditional admission:** Los estudiantes que no han completado todos los requisitos de ingreso a la universidad, podrían hacer parte de un programa de admisión condicional, el cual ofrece la oportunidad de ser considerado para una completa admisión, una vez cumpla las metas académicas u otros requisitos. La admisión condicional varía según la universidad, así que consulte con cada universidad en la que esté interesado, para verificar si ofrecen el programa y que se requiere para hacer parte de este.

**Tuition, Room and board, Required fees, Average book expense:** Los costos básicos para un año entero.

**Percentage receiving need-based grant aid (first year students/all undergraduates):** El porcentaje de estudiantes que reciben donaciones de dinero que no se tiene que devolver.

**Percentage receiving need-based self-help aid (first year students/all undergraduates):** El porcentaje de estudiantes que reciben ayuda mediante préstamo o trabajo mientras estudian.

**Percentage receiving any aid (first year students/all undergraduates):** El porcentaje de estudiantes que reciben algún tipo de ayuda relacionada con su necesidad.

**Percentage of need met (first year students/all undergraduates):** En promedio, el porcentaje de necesidad satisfecha de los estudiantes que fueron otorgados con cualquier ayuda relacionada con su necesidad.

**Number of students in engineering program:** El número de alumnos matriculados en el programa de la escuela de ingeniería (s)

**Engineering majors:** Qué carreras de ingeniería que ofrece la escuela

**Percentage of engineering degrees:** el porcentaje de todos los grados de licenciatura otorgados en ingeniería

## SOLICITANDO INGRESO A LA UNIVERSIDAD

### Agenda

#### ***Noveno Grado***

- **Reúnanse con su consejero de la escuela secundaria.**
  - o Escoja materias que reúnan los requisitos de admisión de las universidades.
- **Tome materias desafiantes.**
  - o Construya fuertes habilidades verbales, en matemáticas y en razonamiento.
- **Involúcrese en actividades extracurriculares.**
  - o Únase a clubes y participe en deportes que le interesen.
- **Investigue sobre carreras.**
  - o Descubra trabajos que le interesen. ¿Qué quiere hacer después de la universidad?

#### ***Décimo Grado***

- **Regístrese y tome el examen PSAT.**
  - o Manténgase adelantado.
- **Continúe involucrado en actividades extracurriculares.**
  - o Siga construyendo su éxito.
- **Registrarse para tomar cursos AP (cálculo, física, ciencias de la computación, etc.)**

#### ***Onceavo Grado***

##### **Septiembre**

- Regístrese y tome el PSAT de nuevo. ¡La práctica lleva a la perfección!
- Reúnanse con su consejero para asegurarse que esté tomando materias que le ayuden a prepararse para la universidad.



- Esfuércese por tener buenas notas para mantener y mejorar su GPA.
- Tome cursos de AP (cálculo, física, ciencias de la computación, etc.)

### **Diciembre**

- Lea sus notas del PSAT y hable sobre ellas con su consejero.
- Regístrese para tomar los exámenes de SAT/ACT.

### **Enero**

- Empiece a buscar becas. Use la biblioteca de su escuela y fuentes de información en línea.
- Solicitar programas de verano ([careercornerstone.org/pcprogproj.htm](http://careercornerstone.org/pcprogproj.htm)).

### **Febrero**

- Reúnase con su consejero para hablar sobre las universidades en las cuales esté interesado.
- Comience a prepararse para los exámenes de SAT y ACT. Hay libros guía con información y simulacros de exámenes disponibles en bibliotecas públicas, librerías, en su escuela y en línea.
- Pregunte a su consejero si su escuela ofrece un curso de preparación para el SAT. Si lo ofrece, ¡regístrese!

### **Marzo**

- Empiece a tomar decisiones sobre las universidades que más le interesan.
- Llame a las universidades para programar un recorrido por el campus, si le es posible visitarlos.
- Regístrese para los exámenes AP (si está tomando cursos avanzados AP). ([apstudent.collegeboard.org/takingtheexam](http://apstudent.collegeboard.org/takingtheexam))

### **Abril**

- Escoja materias de onceavo grado que complementen los requisitos de ciencias y matemáticas de su universidad.
- Busque trabajos de verano, campamentos, programas de estudio, pasantías e incluso trabajos de voluntariado.
- Continúe buscando universidades y redúzcalas a una lista de las cuales estará solicitando ingreso.

### **Mayo**

- Tome los exámenes AP para cualquiera de las cursos AP que tomó en onceavo grado.

### **Junio, Julio, Agosto**

- Visite con su familia, si es posible, las universidades que le interesan.
- Prepárese para los exámenes SAT y ACT.

## ***Doceavo Grado***

### **Septiembre**

- Solicite un número de identificación personal en FAFSA ([FAFSA.ed.gov](http://FAFSA.ed.gov)).
- Inscríbase para volver a tomar los exámenes SAT y ACT. ¡No se preocupe, sólo se tomarán en cuenta sus puntajes más altos!

- Reúnase con su consejero para asegurarse que tiene las materias correctas para solicitar ingreso a un programa de ingeniería.
- Visite los sitios web de las universidades a las cuales va a solicitar ingreso, para obtener solicitudes.
- Asegúrese de mantener sus notas altas en su último año puesto que ¡estas aún cuentan!

### **Octubre/Noviembre**

- Hable con su consejero sobre como ser exento de pagar tarifas de solicitud a las universidades.
- Averigüe las fechas límite para su solicitud de ingreso a la universidad.
- Empiece a pedir cartas de recomendación a sus profesores y a otras personas.
- Comience a enviar solicitudes a las universidades.
- Verifique en línea y con su consejero la información sobre becas y cómo empezar a solicitarlas.

### **Diciembre**

- ¡Envíe su última solicitud de ingreso a la universidad!
- Obtenga una solicitud FAFSA (FAFSA.ed.gov).
- Asegúrese que sus puntajes del SAT y ACT sean enviados a las universidades en las cuales está interesado.

### **Enero**

- Pida a su consejero que envíe sus notas de secundaria a las universidades a las cuales ha solicitado ingreso.
- Llene la solicitud FAFSA con sus padres y pídale a su consejero que la revise.
- Solicitar NACME Pre-Engineering Scholarship ([nacme.org/scholarships](http://nacme.org/scholarships)).

### **Febrero, Marzo, Abril**

- Envíe su solicitud FAFSA.
- Verifique que las universidades hayan recibido su solicitud de ingreso.
- Para entonces, deberá empezar a recibir respuestas de las universidades a las cuales solicitó ingreso. Con suerte, la mayoría serán aceptaciones con generosos paquetes de ayuda financiera. Este es el momento de decidir a que universidad va a asistir.
- Solicite los programas de enriquecimiento durante el verano para acostumbrarse a los rigores de los programas de ingeniería de la universidad antes de que los otros estudiantes lleguen a la escuela en el otoño.
- NACME Pre-engineering plazo de solicitud de becas ([nacme.org/scholarships](http://nacme.org/scholarships)).

### **Mayo**

- Avísele a la universidad que ha elegido, sobre su decisión de asistir a ésta.
- Tome exámenes AP para todos los cursos AP que tomó en doceavo grado.

### **Junio**

- Pida a su consejero que envíe sus notas finales de la escuela secundaria a la universidad a la que va a estar asistiendo.

## Factores

Además de completar las solicitudes de ingreso a la universidad, debe considerar los siguientes factores que afectarán sus posibilidades de ser aceptado.

**Exámenes estandarizados:** La mayoría de las universidades requieren que usted tome exámenes estandarizados como el SAT y ACT, como parte del proceso de solicitud. Hable con su consejero sobre libros, clases y fuentes de información en línea disponibles para ayudarlo a prepararse para estos exámenes. Usted debe tomar el examen SAT y ACT tanto en onceavo como en doceavo grado.

**Carta de presentación/Ensayo:** Algunas universidades requerirán que envíe una carta de presentación o una serie de ensayos. Por esa razón es buena idea planear con tiempo sobre lo que cada solicitud requiere para la admisión. Escriba con suficiente tiempo varios borradores de sus ensayos y cartas de presentación, y compártalos con sus padres, profesores, amigos y otras personas que puedan darle sus comentarios y observaciones. Para ver ejemplos de ensayos que han sobresalido, revise una copia del libro *College Essays that Made a Difference* (Ensayos para la universidad que sobresalieron) en su librería local. Para obtener más recomendaciones, visite [Collegeboard.com](http://Collegeboard.com).

**Cartas de recomendación:** Muchas universidades privadas pedirán que envíe dos o tres cartas de recomendación. Pida estas cartas a un profesor, consejero, administrador de la escuela, empleador o cualquier otro individuo fuera de su familia que pueda hablar sobre sus talentos y fortalezas. Asegúrese de preguntar si la persona puede escribir una carta de recomendación muy buena en su nombre. Es importante que la persona que escriba la recomendación comprenda bien su historia académica, intereses y metas.

**Servicio comunitario/Actividades extracurriculares:** ¡Involúcrese! Tener buenas notas es importante, pero también lo es estar involucrado con su comunidad. Hay muchas oportunidades a su alrededor para ayudar a otros y obtener habilidades de liderazgo, de pensamiento crítico y para resolver problemas.

**Crédito de universidad en la escuela secundaria:** Generalmente los estudiantes pueden obtener créditos de universidad mientras aún están en la escuela secundaria. Por ejemplo, los cursos de posicionamiento avanzado (AP) le ofrecen a los estudiantes de secundaria la posibilidad de obtener crédito de universidad y así ahorrar en los costos de matrícula. Pregúntele al consejero de su escuela si hay materias AP disponibles para usted.

## CÓMO ESCOGER LA UNIVERSIDAD ADECUADA PARA USTED

La mejor manera para escoger la universidad apropiada es teniendo la información correcta. Investigue con anticipación y cuente con el apoyo de su familia, profesores y consejeros. Cada universidad mencionada en esta guía ofrece educación en ingeniería, sin embargo hay muchos aspectos acerca de una universidad que determinan si esta es o no la apropiada para usted. Esta guía no califica a las universidades ni sugiere cual será la mejor para usted, pero si le proporciona algunos factores importantes que influenciarán su decisión.

### Tipo

¿En qué tipo de ambiente académico se quiere desenvolver?

- Colegio comunitario (dos años)
- Universidad (cuatro años)
  - o Pública o privada
  - o Afiliación religiosa

## **Tamaño**

¿Con qué tamaño de universidad se siente más cómodo?

- Menos de 1,000 estudiantes (comunidad pequeña)
- 1,000–5,000 estudiantes (comunidad mediana)
- 5,000–15,000 estudiantes (comunidad grande)
- Más de 15,000 estudiantes, etc. (comunidad extensa)

## **Ubicación**

¿En qué tipo de ambiente se siente más cómodo?

Lejos de casa, cerca a casa, urbano (ciudad), suburbano (cerca a una ciudad), ambiente rural, etc.

## **Instalaciones**

¿Qué cosas necesita para tener una buena experiencia en la universidad?

- Académicas: biblioteca, salones de clase grandes o pequeños, salones de cátedra, laboratorios de ciencia, laboratorios de computadores, instalaciones de arte, música y teatro, etc.
- Atléticas: instalaciones para los estudiantes, instalaciones para los equipos de los mejores jugadores de la universidad, gimnasio, etc.
- Vida estudiantil y residencial: dormitorios para un solo sexo o mixtos, planes de comidas, opciones de cafetería, librerías, etc.

## **Visitas a las Universidades**

Si tiene la oportunidad, antes de tomar una decisión definitivamente, debería planear visitar sus universidades favoritas. La siguiente es una lista de lo que puede hacer para facilitar su decisión:

- Haga un recorrido por el campus universitario
- Vaya a una clase y coma en la cafetería
- Lea el periódico de los estudiantes
- Revise las carteleras para enterarse sobre lo que está ocurriendo en el campus.

**Community Colleges—Los colleges de dos años son un camino provisional para entrar en una carrera en ingeniería.**

Casi la mitad de los estudiantes universitarios (a tiempo parcial o a tiempo completo) están matriculados en colegios comunitarios\*. Este tipo de colegio constituye otra manera en que se puede empezar una carrera universitaria. Muchos estudiantes empiezan su carrera académica en un community college donde la colegiatura es menos cara, la ubicación conveniente, la admisión libre y además se ofrecen los cursos integrales. Los community colleges son centros de educación superior instrumentales en la producción de ingenieros. En 2008, el 44.4 por ciento de los graduados con grados de bachiller en ingeniería informó

(\*) Tsapogas, J. (2004). *The Role of Community Colleges in the Education of Recent Science and Engineering Graduates*. Arlington, VA: National Science Foundation.

que asistieron a colegios comunitarios, y el 8.1 por ciento dijeron que habían ganado su grado de asociado (\*\*). Acuerdos de transferencia y articulación permiten que los estudiantes completen las matemáticas, la ciencia, y la introducción a los cursos de ingeniería y otros requisitos de artes liberales en los colegios comunitarios antes de transferir en el tercer año a las escuelas de ingeniería de cuatro años. En el estudio de transferencia de los colegios comunitarios realizado por NACME en el año de 2010, se determinó que el veinte y uno por ciento de los estudiantes de NACME había transferido de un colegio de dos años a una Universidad Asociada de NACME de cuatro años. Los estudiantes de traslado de NACME habían logrado calificaciones superiores a los académicos tradicionales de NACME que asistieron un colegio de cuatro años; y los estudiantes de traslado tenían más probabilidades que los que habían empezado en escuelas de cuatro años para ser mantenidos (matriculados o graduados) a partir del año académico de 2008–2009.

### **Recursos de Información en Internet sobre Universidades**

El Internet ofrece extensa información sobre las universidades. Visite las páginas web de las universidades en las que está interesado. Las siguientes páginas proporcionan información general sobre programas de universidades, admisiones y asistencia.

CollegeBoard.com

PrincetonReview.com

Collegeispossible.org

mycollegeoptions.org

### **Cartas de Universidades de Aceptación o Rechazo**

Entre diciembre y mayo de su duodécimo grado, estará recibiendo cartas de universidades a las cuales ha solicitado ingreso. Dependiendo de la carta, puede ser aceptado, aceptado condicionalmente, ser puesto en lista de espera o rechazado, donde cada decisión ha sido basada en diversos factores. Si recibe una carta de rechazo, no se desanime, siga adelante y evalúe el resto de las opciones.

## **AYUDA FINANCIERA**

El precio de una carrera universitaria puede intimidar. Mejor dicho: ¡Lo que cuesta la universidad intimida! Pero no debemos dejar que el costo de la universidad determine nuestras opciones. Si encontramos la universidad adecuada, debemos solicitar la entrada, aunque la colegiatura sea cara. La realidad es que poca gente paga el costo real. Podemos descubrir que con becas, préstamos, y los programas de trabajo/estudio que están a nuestro alcance, la escuela más cara se puede volver la más asequible.

El propósito de la ayuda financiera es reducir la diferencia de lo que el estudiante puede pagar y lo que la escuela cobra. Entre más rápido entendamos el proceso, mejor podremos calcular los gastos y el estrés será menor. Lo mejor que podemos hacer es examinar las opciones y decidir cuál es el mejor camino para nuestras necesidades financieras.

El primer paso para pedir ayuda financiera es completar su solicitud de FAFSA (Solicitud Gratuita de Ayuda Federal para Estudiantes), la cual determina su elegibilidad para obtener ayuda financiera basándose en su necesidad. Este es un paso muy importante al determinar su paquete de ayuda financiera. Para obtener la solicitud y mayor información, visite [Fafsa.ed.gov](http://Fafsa.ed.gov).

(\*\*) National Science Foundation/National Center for Science and Engineering Statistics, *National Survey of Recent College Graduates*, 2008.

## ¿Quién Es Elegible para Recibir Ayuda Financiera? ¡Usted Es!

Nada en la vida es seguro pero sus probabilidades de ser elegible para recibir ayuda financiera son bastante buenas. La mayoría de los estudiantes a tiempo completo reciben alguna clase de ayuda financiera.

### 1. ¿Si voy a la universidad a tiempo parcial, soy elegible para recibir ayuda financiera?

Ayuda financiera está disponible para estudiantes a tiempo parcial. Verifique con la oficina de ayuda financiera de la universidad para información sobre ayuda para estudiantes a tiempo parcial.

### 2. ¿Si no soy un ciudadano estadounidense, califico?

Si usted tiene una visa F1 o F2, usted no es elegible para recibir ayuda financiera. Pero si usted es un residente permanente estadounidense con una I-551 o I-551c o si usted pertenece a una de las clasificaciones siguientes con una I-94, entonces usted es elegible para recibir ayuda:

- Refugiado
- Asilo otorgado
- Inmigrante cubano o haitiano
- Persona admitida a prueba
- Preso bajo libertad condicional

## Tipos de Ayuda Financiera

### ***Becas y Donaciones***

Estos son los mejores tipos de ayuda financiera porque el dinero no tiene que devolverse más adelante. Sin embargo, la mayoría de las becas requieren un GPA mínimo y algunas donaciones son válidas solo por un año. Al evaluar sus opciones para pagar, asegúrese de que sean altas las probabilidades de que el paquete de ayuda financiera en oferta esté disponible por la totalidad de tiempo requerido para completar el título. Para más información sobre becas, visite la página de búsqueda de becas de The Princeton Review en [PrincetonReview.com](http://PrincetonReview.com).

### ***Préstamos***

Cuando las becas, las donaciones y los ahorros que se tienen no cubren la totalidad del costo de la matrícula, muchos estudiantes acuden a préstamos para ayudar a pagar el resto de ese costo. Tanto el gobierno federal como los prestamistas comerciales privados ofrecen préstamos educativos a los estudiantes. Los préstamos federales son, por lo general, la primera opción que utilizan los estudiantes, ya que muchos de estos son subsidiados por el gobierno federal y ofrecen bajas tasas de interés. Por otro lado, a pesar de que los préstamos privados tienen menos restricciones en la cantidad límite del préstamo, estos pueden tener tasas de interés más altas y criterios más estrictos para ser otorgados.

#### **Préstamos Federales**

El préstamo Stafford es el lugar más utilizado por muchos estudiantes para comenzar a buscar ayuda financiera. El programa del préstamo Stafford ofrece un límite sobre la tasa de interés y límites anuales sobre la cantidad máxima que un estudiante puede pedir prestado. Además estos préstamos pueden ser subsidiados (el gobierno paga el interés mientras el estudiante esté estudiando) o no subsidiados (el estudiante se hace responsable por el interés que debe, mientras está estudiando). El total máximo de los préstamos Stafford que estudiantes dependientes pueden pedir prestado en sus programas de pregrado es \$31.000, y el total máximo de los préstamos Stafford subsidiados es \$23.000.

## Préstamos Privados

Los préstamos privados para estudiantes pueden cubrir los costos de educación terciaria cuando se han agotado las otras fuentes de financiamiento. Estos préstamos también pueden pagar gastos que los préstamos federales no pueden, como lo son los gastos de aplicación y exámenes, alojamiento y el costo de transporte y libros. Sin embargo, es importante tener en cuenta que aún cuando los préstamos privados no tienen límites anuales, si tienen tasas de interés más altas y sin limitaciones.

## Ingresos de Trabajo

Esta es otra forma de ayuda financiera proporcionada por el Programa Federal de Trabajo y Estudio (Work-Study Program). La información que usted proporcione en su solicitud FAFSA, determinará su elegibilidad para calificar para un trabajo de medio tiempo en el campus universitario. Las pasantías en empresas, fuera del campus y/o los trabajos de verano, pueden ser otra fuente para obtener ingresos de trabajo.

Finalmente, la mejor manera de obtener la mayor parte del dinero para ir a la universidad es conocer sus opciones y oportunidades. La página de Internet de The Princeton Review (PrincetonReview.com) ofrece una amplia información sobre ayuda financiera y apoyo para que esté enterado de donde y cuando buscar becas, donaciones y préstamos; así como también informa sobre las preguntas que se deben hacer para obtener las mejores condiciones posibles para su futuro.

## Costos de la Universidad

El costo de asistir a la universidad varía de escuela a escuela. Usted debe considerar dos costos diferentes cuando averigüe el gasto total:

- Costos Directos: La matrícula, el alojamiento (si usted vivirá en el campus).
- Costos Indirectos: Libros, una computadora, el transporte, otros gastos.

No permita que el costo de una universidad en particular lo desanime de aplicar a ella. Mire el ejemplo debajo para ver la ayuda financiera que es concedida basada en el costo y la necesidad universitaria total.

## Comparación de Costo/Ayuda

	Colegio A	Colegio B
Costo anual	\$11,900	\$27,800
Donaciones	-1,600	-7,800
Becas	0	-8,400
Estudio-trabajo	1,100	-2,200
Préstamos	-6,500	-6,500
<b>Ayuda financiera</b>	<b>\$9,200</b>	<b>\$24,900</b>
<b>Costo al estudiante*</b>	<b>\$2,700</b>	<b>\$2,900</b>

\*Puede ser pagado por el trabajo de tiempo medio, puesto de interno de verano, apoyo paternal, etc.

## Recursos de Información en Internet Acerca de Ayuda Financiera (Préstamos, Concesiones, y Becas)

- [College-scholarships.com](http://College-scholarships.com)
- [Collegefund.org](http://Collegefund.org) (Native American)
- [Ed.gov/finaid.html](http://Ed.gov/finaid.html)
- [Fastweb.com](http://Fastweb.com)
- [Finaid.org](http://Finaid.org)
- [Gocollege.com](http://Gocollege.com)
- [Hsf.net](http://Hsf.net) (Hispanic)
- [Nacme.org](http://Nacme.org) (African American, American Indian, Latino)
- [Scholarships.com](http://Scholarships.com)
- [Scholarshipsforhispanics.org](http://Scholarshipsforhispanics.org) (Hispanic)
- [Srnespress.com](http://Srnespress.com)
- [Thurgoodmarshallfund.net](http://Thurgoodmarshallfund.net) (African American)
- [Uncf.org](http://Uncf.org) (African American)

### Buscando las Becas

#### *Fechas Límites*

Las fechas límites para becas se acercarán muy rápido, así que organízese, marque su calendario y dese tiempo de sobras para encontrar las becas, solicitar aplicaciones, recibirlas, completarlas y someterlas.

Las fechas límites por lo general ocurren entre diciembre y abril, así que consiga una ventaja y comience a investigar las becas el verano antes de su último año de la secundaria. A menudo las becas son limitadas y son concedidas por orden de llegada.

#### *Estafas*

Verifique con su consejero antes de contratar a cualquier compañía que le haga pagar por buscarle becas. Recuerde: Nadie puede garantizarle una beca.

## RECURSOS DE INFORMACIÓN EN INTERNET ACERCA DE INGENIERÍA

Vea la sección Engineering Internet Resources en la página 22 de esta guía.

The following maps represent the NACME Partner Institutions.

**Anticipated New Partner Institutions in Bold**



# NACME PARTNER INSTITUTIONS





## ALABAMA A&M UNIVERSITY

P.O. Box 908, Normal, AL 35762

PHONE: 256-851-5245 • E-MAIL: JUAN.ALEXANDER@AAMU.EDU

### Student Body

**Enrollment:** 4,489. **Student Body:** Asian 0%, African American 70%, Caucasian 2%, Hispanic 0%, International 1%, Native American <1%.

### Admissions

90% from public high schools. ACT middle 50% range 16–19. SAT Math middle 50% range 380–470. SAT Critical Reading middle 50% range 400–470. SAT Writing middle 50% range 380–460. Minimum paper TOEFL 550.

### Costs and Financial Aid

**Annual in-state tuition:** \$3,948. **Annual out-of-state tuition:** \$7,896. **Room & board:** \$5,350. **Required fees:** \$744.

**Number of students in Engineering program:** 834

**Engineering majors:** civil; electrical; mechanical

8% of all Bachelor's Degrees awarded in Engineering.

**Computer science:** 5% of all Bachelor's Degrees awarded in Computer and Information Sciences.

## ALFRED UNIVERSITY

ALUMNI HALL, ALFRED, NY 14802-1205

PHONE: 607-871-2115 • E-MAIL: ADMISSIONS@ALFRED.EDU

WEBSITE: WWW.ALFRED.EDU

### Student Body

**Enrollment:** 1,929. **Student Body:** Asian 2%, African American 8%, Caucasian 67%, Hispanic 7%, International 3%, Native American <1%.

### Admissions

**Average high school GPA:** 3.18. 16% in top 10% of high school class, 43% in top 25% of high school class, 84% in top 50% of high school class. ACT middle 50% range 22–27. SAT Math middle 50% range 510–610. SAT Critical Reading middle 50% range 490–590. SAT Writing middle 50% range 460–570. Minimum paper TOEFL 550, minimum web-based TOEFL 80.

### Costs and Financial Aid

**Annual tuition:** \$27,824. **Room & board:** \$11,618. **Required fees:** \$950.

**Average book expense:** \$1,150.

100% first-year, 100% undergrads receive need-based scholarship or grant aid. 99% first-year, 89% undergrads receive need-based self-help aid. 96% first-year, 92% undergrads receive any aid. 87% of first-year need met, 83% of undergrad need met. 82% undergrads borrow to pay for school.

**Number of students in Engineering program:** 355

**Engineering majors:** ceramic sciences; materials; mechanical

16.9% of all Bachelor's Degrees awarded in Engineering.

## ANDREWS UNIVERSITY

OFFICE OF ADMISSIONS, BERRIEN SPRINGS, MI 49104

PHONE: 269-471-6343 • E-MAIL: ENROLL@ANDREWS.EDU

WEBSITE: WWW.ANDREWS.EDU

### Student Body

**Enrollment:** 1,746. **Student Body:** Asian 10%, African American 21%, Caucasian 52%, Hispanic 8%, International 15%, Native American <1%.

### Admissions

23% from public high schools. ACT middle 50% range 19–27. SAT Math middle 50% range 420–600. SAT Critical Reading middle 50% range 440–610.

### Costs and Financial Aid

**Average book expense:** \$1,128.

## APPALACHIAN STATE UNIVERSITY

OFFICE OF ADMISSIONS, BOONE, NC 28608-2004

PHONE: 828-262-2120 • E-MAIL: ADMISSIONS@APPSTATE.EDU

WEBSITE: WWW.APPSTATE.EDU

### Student Body

**Enrollment:** 16,116. **Student Body:** Asian 2%, African American 3%, Caucasian 86%, Hispanic 4%, International 1%, Native American <1%.

### Admissions

**Average high school GPA:** 4.06. 19% in top 10% of high school class, 56% in top 25% of high school class, 91% in top 50% of high school class. 91% from public high schools. ACT middle 50% range 23–27. SAT Math middle 50% range 530–620. SAT Critical Reading middle 50% range 530–620. SAT Writing middle 50% range 500–600. Minimum web-based TOEFL 75.

### Costs and Financial Aid

**Annual in-state tuition:** \$3,772. **Annual out-of-state tuition:** \$16,939.

**Room & board:** \$7,675. **Required fees:** \$2,781. **Average book expense:** \$700. 76% first-year, 76% undergrads receive need-based scholarship or grant aid. 75% first-year, 77% undergrads receive need-based self-help aid. 66% first-year, 71% undergrads receive any aid. 74% of first-year need met, 77% of undergrad need met. 56% undergrads borrow to pay for school. **Average cumulative indebtedness:** \$19,705.

**Computer science:** 1% of all Bachelor's Degrees awarded in Computer and Information Sciences.

## ARIZONA STATE UNIVERSITY—TEMPE CAMPUS

PO Box 870112, Tempe, AZ 85287-0112

PHONE: 480-965-7788 • E-MAIL: ADMISSIONS@ASU.EDU

WEBSITE: WWW.ASU.EDU

### Student Body

**Enrollment:** 39,323. **Student Body:** Asian 7%, African American 4%, Caucasian 55%, Hispanic 19%, International 9%, Native American 1%.

### Admissions

**Average high school GPA:** 3.46. 30% in top 10% of high school class, 60% in top 25% of high school class, 89% in top 50% of high school class. ACT middle 50% range 22–28. SAT Math middle 50% range 520–640. SAT Critical Reading middle 50% range 500–630. Minimum paper TOEFL 500, minimum web-based TOEFL 61.

### Costs and Financial Aid

**Annual in-state tuition:** \$9,484. **Annual out-of-state tuition:** \$23,830.

**Room & board:** \$10,010. **Required fees:** \$673. **Average book expense:** \$1,060. 99% first-year, 99% undergrads receive need-based scholarship or grant aid. 93% first-year, 71% undergrads receive need-based self-help aid. 91% first-year, 83% undergrads receive any aid. 71% of first-year need met, 61% of undergrad need met. 54% undergrads borrow to pay for school. **Average cumulative indebtedness:** \$19,524

**Number of students in Engineering program:** 6,222

**Engineering majors:** aerospace, aeronautical and astronautical/space; bioengineering and biomedical; chemical; civil; computer; electrical; materials; mechanical; construction; industrial

8.4% of all Bachelor's Degrees awarded in Engineering.

**Computer science:** 3% of all Bachelor's Degrees awarded in Computer and Information Sciences.

## ARKANSAS STATE UNIVERSITY

PO Box 1630, State University, AR 72467

PHONE: 870-972-3024 • E-MAIL: ADMISSIONS@ASTATE.EDU

WEBSITE: WWW.ASTATE.EDU

### Student Body

**Enrollment:** 9,000. **Student Body:** Asian 1%, African American 15%, Caucasian 82%, Hispanic 1%, International 1%, Native American <1%.

### Admissions

**Average high school GPA:** 3.20. 0% in top 25% of high school class, 0% in top 50% of high school class. 93% from public high schools. ACT middle 50% range 18–25. Minimum paper TOEFL 500.

### Costs and Financial Aid

**Annual in-state tuition:** \$3,750. **Annual out-of-state tuition:** \$9,660. **Room & board:** \$3,640. **Required fees:** \$1,060. **Average book expense:** \$1,000.

90% first-year, 90% undergrads receive need-based scholarship or grant aid. 85% first-year, 60% undergrads receive need-based self-help aid. 76% first-year, 67% undergrads receive any aid. 65% of first-year need met, 55% of undergrad need met. 63% undergrads borrow to pay for school.

**Number of students in Engineering program:** 303

**Engineering majors:** engineering

5% of all Bachelor's Degrees awarded in Engineering.

**Computer science:** 6% of all Bachelor's Degrees awarded in Computer and Information Sciences.

## ARKANSAS TECH UNIVERSITY

DOC BRYAN, 1605 COLISEUM DR, RUSSELLVILLE, AR 72801

PHONE: 479-968-0343 • E-MAIL: TECH.ENROLL@ATU.EDU

WEBSITE: HTTP://WWW.ATU.EDU/

### Student Body

**Enrollment:** 8,845. **Student Body:** Asian 1%, African American 9%, Caucasian 78%, Hispanic 5%, International 4%, Native American 1%.

### Admissions

**Average high school GPA:** 3.18. 13% in top 10% of high school class, 34% in top 25% of high school class, 64% in top 50% of high school class. ACT middle 50% range 18–25. SAT Math middle 50% range 460–630. SAT Critical Reading middle 50% range 455–570. Minimum paper TOEFL 500, minimum web-based TOEFL 61.

### Costs and Financial Aid

**Annual in-state tuition:** \$6,270. **Annual out-of-state tuition:** \$12,540. **Room & board:** \$6,734. **Required fees:** \$978. **Average book expense:** \$1,410. 83% first-year, 83% undergrads receive need-based scholarship or grant aid. 82% first-year, 69% undergrads receive need-based self-help aid. 62% of first-year need met, 62% of undergrad need met. 62% of undergrads borrow to pay for school. **Average cumulative indebtedness:** \$28,935. **Number of students in Engineering program:** 599. **Engineering majors:** electrical; physics; mechanical. 4.2% of all Bachelor's Degrees awarded in Engineering. **Computer science:** 6% of all Bachelor's Degrees awarded in Computer and Information Sciences.

## ARMSTRONG ATLANTIC STATE UNIVERSITY

11935 ABERCORN STREET, SAVANNAH, GA 31419-1997

PHONE: 912-927-5277 • E-MAIL: ADM-INFO@MAIL.ARMSTRONG.EDU

WEBSITE: WWW.ARMSTRONG.EDU

### Student Body

**Enrollment:** 5,281. **Student Body:** Asian 3%, African American 22%, Caucasian 65%, Hispanic 3%, International 2%, Native American <1%.

### Admissions

**Average high school GPA:** 3.05. ACT middle 50% range 18–23. SAT Math middle 50% range 450–550. SAT Critical Reading middle 50% range 470–570. Minimum paper TOEFL 523.

### Costs and Financial Aid

**Annual in-state tuition:** \$2,212. **Annual out-of-state tuition:** \$8,848. **Room & board:** \$4,500. **Required fees:** \$390. **Average book expense:** \$800. 34% first-year, 34% undergrads receive need-based scholarship or grant aid. 50% first-year, 73% undergrads receive need-based self-help aid. 90% first-year, 90% undergrads receive any aid. 90% of first-year need met, 90% of undergrad need met. 55% undergrads borrow to pay for school. **Computer science:** 3% of all Bachelor's Degrees awarded in Computer and Information Sciences.

## AUBURN UNIVERSITY

108 MARY MARTIN HALL, AUBURN, AL 36849-5149

PHONE: 334-844-4080 • E-MAIL: ADMISSIONS@AUBURN.EDU

WEBSITE: WWW.AUBURN.EDU

### Student Body

**Enrollment:** 20,514. **Student Body:** Asian 2%, African American 7%, Caucasian 85%, Hispanic 2%, International 1%, Native American 1%.

### Admissions

**Average high school GPA:** 3.77. 29% in top 10% of high school class, 61% in top 25% of high school class, 88% in top 50% of high school class. 86% from public high schools. ACT middle 50% range 24–30. SAT Math middle 50% range 530–645. SAT Critical Reading middle 50% range 520–630. SAT Writing middle 50% range 520–610. Minimum paper TOEFL 550, minimum web-based TOEFL 79.

### Costs and Financial Aid

**Annual in-state tuition:** \$8,592. **Annual out-of-state tuition:** \$25,776. **Room & board:** \$12,178. **Required fees:** \$1,608. **Average book expense:** \$1,200. 86% first-year, 86% undergrads receive need-based scholarship or grant aid. 74% first-year, 78% undergrads receive need-based self-help aid. 51% first-year, 45% undergrads receive any aid. 51% of first-year need met, 45% of undergrad need met. 41% undergrads borrow to pay for school. **Average cumulative indebtedness:** \$22,133. **Number of students in Engineering program:** 4,618. **Engineering majors:** aerospace, aeronautical and astronautical/space; agricultural; architectural; chemical; civil; computer; computer hardware; computer software; electrical; materials; mechanical; textile sciences; polymer/plastics; forest; industrial; biological/biosystems. 16.4% of all Bachelor's Degrees awarded in Engineering. **Computer science:** 1% of all Bachelor's Degrees awarded in Computer and Information Sciences.

## AUSTIN PEAY STATE UNIVERSITY

P.O. BOX 4548, CLARKSVILLE, TN 37044

PHONE: 931-221-7661 • E-MAIL: ADMISSIONS@APSU.EDU

WEBSITE: WWW.APSU.EDU

### Student Body

**Enrollment:** 9,003. **Student Body:** Asian 2%, African American 20%, Caucasian 65%, Hispanic 6%, International 0%, Native American <1%.

### Admissions

**Average high school GPA:** 3.23. 13% in top 10% of high school class, 36% in top 25% of high school class, 73% in top 50% of high school class. 95% from public high schools. ACT middle 50% range 19–24. SAT Math middle 50% range 390–605. SAT Critical Reading middle 50% range 375–540. Minimum paper TOEFL 500.

### Costs and Financial Aid

**Average book expense:** \$1,550. 81% first-year, 81% undergrads receive need-based scholarship or grant aid. 86% first-year, 68% undergrads receive need-based self-help aid. 60% undergrads borrow to pay for school. **Average cumulative indebtedness:** \$28,800. **Computer science:** 4% of all Bachelor's Degrees awarded in Computer and Information Sciences.

## BALL STATE UNIVERSITY

OFFICE OF ADMISSIONS, MUNCIE, IN 47306

PHONE: 765-285-8300 • E-MAIL: ASKUS@BSU.EDU

WEBSITE: WWW.BSU.EDU

### Student Body

**Enrollment:** 16,323. **Student Body:** Asian 1%, African American 6%, Caucasian 85%, Hispanic 3%, International 2%, Native American <1%.

### Admissions

**Average high school GPA:** 3.35. 18% in top 10% of high school class, 48% in top 25% of high school class, 88% in top 50% of high school class. 93% from public high schools. ACT middle 50% range 19–23. SAT Math middle 50% range 480–580. SAT Critical Reading middle 50% range 480–580. SAT Writing middle 50% range 470–560. Minimum paper TOEFL 550, minimum web-based TOEFL 79.

### Costs and Financial Aid

**Annual in-state tuition:** \$8,318. **Annual out-of-state tuition:** \$22,988. **Room & board:** \$8,870. **Required fees:** \$662. **Average book expense:** \$1,020. 63% first-year, 63% undergrads receive need-based scholarship or grant aid. 59% first-year, 92% undergrads receive need-based self-help aid. 82% first-year, 78% undergrads receive any aid. 65% of first-year need met, 65% of undergrad need met. 72% undergrads borrow to pay for school. **Average cumulative indebtedness:** \$23,716. **Engineering majors:** engineering. **Computer science:** 1% of all Bachelor's Degrees awarded in Computer and Information Sciences.

## BAYLOR UNIVERSITY

ONE BEAR PLACE #97056, WACO, TX 76798-7056

PHONE: 254-710-3435 • E-MAIL: ADMISSIONS@BAYLOR.EDU

WEBSITE: WWW.BAYLOR.EDU

### Student Body

**Enrollment:** 13,801. **Student Body:** Asian 6%, African American 7%, Caucasian 64%, Hispanic 14%, International 3%, Native American <1%.

### Admissions

39% in top 10% of high school class, 74% in top 25% of high school class, 96% in top 50% of high school class. ACT middle 50% range 24–30. SAT Math middle 50% range 570–670. SAT Critical Reading middle 50% range 560–660. SAT Writing middle 50% range 530–640. Minimum paper TOEFL 540, minimum web-based TOEFL 76.

### Costs and Financial Aid

**Annual tuition:** \$36,360. **Room & board:** \$11,360. **Required fees:** \$3,838.

**Average book expense:** \$1,276.

100% first-year, 100% undergrads receive need-based scholarship or grant aid. 97% first-year, 82% undergrads receive need-based self-help aid. 97% first-year, 92% undergrads receive any aid. 67% of first-year need met, 65% of undergrad need met.

**Engineering majors:** engineering; electrical; mechanical  
4% of all Bachelor's Degrees awarded in Engineering.

**Computer science:** 1% of all Bachelor's Degrees awarded in Computer and Information Sciences.

## BELMONT UNIVERSITY

1900 BELMONT BLVD, TENNESSEE, TN 37212

PHONE: 615-460-6785 • E-MAIL: MARY.LUCUS@BELMONT.EDU

WEBSITE: HTTP://WWW.BELMONT.EDU/

### Student Body

**Enrollment:** 5,778. **Student Body:** Asian 2%, African American 4%, Caucasian 80%, Hispanic 5%, International 1%, Native American <1%.

### Admissions

**Average high school GPA:** 3.52. 32% in top 10% of high school class, 60% in top 25% of high school class, 89% in top 50% of high school class. ACT middle 50% range 23–29. SAT Math middle 50% range 530–630. SAT Critical Reading middle 50% range 530–630. Minimum paper TOEFL 550.

### Costs and Financial Aid

85% first-year, 85% undergrads receive need-based scholarship or grant aid. 81% first-year, 85% undergrads receive need-based self-help aid. 54% of first-year need met, 49% of undergrad need met. 56% undergrads borrow to pay for school. **Average cumulative indebtedness:** \$23,285.

**Engineering majors:** physics

**Computer science:** 1% of all Bachelor's Degrees awarded in Computer and Information Sciences.

## BLOOMSBURG UNIVERSITY OF PENNSYLVANIA

104 STUDENT SERVICES CENTER, BLOOMSBURG, PA 17815

PHONE: 570-389-4316 • E-MAIL: WWW.BLOOMU.EDU/ADMISSIONS

WEBSITE: WWW.BLOOMU.EDU

### Student Body

**Enrollment:** 9,109. **Student Body:** Asian 1%, African American 8%, Caucasian 81%, Hispanic 5%, International 1%, Native American <1%.

### Admissions

**Average high school GPA:** 3.28. 9% in top 10% of high school class, 27% in top 25% of high school class, 64% in top 50% of high school class. 88% from public high schools. ACT middle 50% range 17–22. SAT Math middle 50% range 440–540. SAT Critical Reading middle 50% range 440–530. SAT Writing middle 50% range 420–510. Minimum paper TOEFL 550.

### Costs and Financial Aid

**Annual out-of-state tuition:** \$17,050. **Room & board:** \$8,168. **Required fees:** \$2,094. **Average book expense:** \$1,200. 63% first-year, 63% undergrads receive need-based scholarship or grant aid. 62% first-year, 91% undergrads receive need-based self-help aid. 84% undergrads receive any aid. 51% of first-

year need met, 57% of undergrad need met. 75% undergrads borrow to pay for school. **Average cumulative indebtedness:** \$24,737.

**Engineering majors:** electrical

1% of all Bachelor's Degrees awarded in Engineering.

**Computer science:** 1% of all Bachelor's Degrees awarded in Computer and Information Sciences.

## BLUEFIELD STATE COLLEGE

219 ROCK STREET, BLUEFIELD, WV 24701

PHONE: 304-327-4065 • E-MAIL: BSCADMIT@BLUEFIELDSTATE.EDU

WEBSITE: WWW.BLUEFIELDSTATE.EDU

### Student Body

**Enrollment:** 3,563. **Student Body:** Asian 0%, African American 10%, Caucasian 84%, Hispanic 0%, International 0%, Native American <1%.

### Admissions

**Average high school GPA:** 3.36. 10% in top 10% of high school class, 27% in top 25% of high school class, 73% in top 50% of high school class. 98% from public high schools. ACT middle 50% range 12–22. SAT Critical Reading middle 50% range 400–490. SAT Math middle 50% range 410–510. SAT Writing middle 50% range 280–380. Minimum paper TOEFL 550.

### Costs and Financial Aid

**Annual in-state tuition:** \$5,080. **Annual out-of-state tuition:** \$9,366. **Average book expense:** \$1,200.

88% first-year, 87% undergrads receive need-based scholarship or grant aid. 49% first-year, 68% undergrads receive need-based self-help aid. 62% of first-year need met, 66% of undergrad need met. 68% undergrads borrow to pay for school.

22% of all Bachelor's Degrees awarded in Engineering.

**Computer science:** 10% of all Bachelor's Degrees awarded in Computer and Information Sciences.

## BOISE STATE UNIVERSITY

1910 UNIVERSITY DRIVE, BOISE, ID 83725

PHONE: 208-426-1156 • E-MAIL: BSUINFO@BOISESTATE.EDU

### Student Body

**Enrollment:** 17,069. **Student Body:** Asian 2%, African American 2%, Caucasian 77%, Hispanic 8%, International 3%, Native American 1%.

### Admissions

**Average high school GPA:** 3.43. 14% in top 10% of high school class, 38% in top 25% of high school class, 73% in top 50% of high school class. 89% from public high schools. ACT middle 50% range 20–25. SAT Math middle 50% range 480–600. SAT Critical Reading middle 50% range 470–580. SAT Writing middle 50% range 450–560. Minimum paper TOEFL 500.

### Costs and Financial Aid

**Annual in-state tuition:** \$3,991. **Annual out-of-state tuition:** \$15,431.

**Required fees:** \$1,893. **Average book expense:** \$1,200. 81% first-year, 81% undergrads receive need-based scholarship or grant aid. 77% first-year, 92% undergrads receive need-based self-help aid. 70% first-year, 80% undergrads receive any aid. 16% of first-year need met, 20% of undergrad need met. 64% undergrads borrow to pay for school. **Average cumulative indebtedness:** \$26,496.

**Number of students in Engineering program:** 1,866

**Engineering majors:** pre-engineering; civil; computer; electrical; materials; mechanical

4.8% of all Bachelor's Degrees awarded in Engineering.

**Computer science:** 2% of all Bachelor's Degrees awarded in Computer and Information Sciences.

## BOSTON UNIVERSITY

233 BAY STATE ROAD, BOSTON, MA 02215

PHONE: 617-353-2300 • E-MAIL: ADMISSIONS@BU.EDU

WEBSITE: WWW.BU.EDU

### Student Body

**Enrollment:** 16,457. **Student Body:** Asian 13%, African American 3%, Caucasian 46%, Hispanic 10%, International 19%, Native American <1%.

### Admissions

**Average high school GPA:** 3.60. 59% in top 10% of high school class, 89% in top 25% of high school class, 99% in top 50% of high school class. 65% from public high schools. ACT middle 50% range 27–31. SAT Math middle 50% range 620–730. SAT Critical Reading middle 50% range 570–680. SAT Writing middle 50% range 600–690.

### Costs and Financial Aid

**Annual tuition:** \$45,686. **Room & board:** \$14,030. **Required fees:** \$978. **Average book expense:** \$1,000. 98% first-year, 98% undergrads receive need-based scholarship or grant aid. 98% first-year, 88% undergrads receive need-based self-help aid. 56% first-year, 57% undergrads receive any aid. 91% of first-year need met, 86% of undergrad need met. 57% undergrads borrow to pay for school. **Average cumulative indebtedness:** \$25,879.

**Number of students in Engineering program:** 1,536  
**Engineering majors:** mechanical; engineering; computer; aerospace, aeronautical and astronautical/space; electrical; manufacturing  
7.9% of all Bachelor's Degrees awarded in Engineering.  
**Computer science:** 2% of all Bachelor's Degrees awarded in Computer and Information Sciences.

## BRADLEY UNIVERSITY

1501 WEST BRADLEY AVENUE, PEORIA, IL 61625

PHONE: 309-677-1000 • E-MAIL: ADMISSIONS@BRADLEY.EDU

WEBSITE: WWW.BRADLEY.EDU

### Student Body

**Enrollment:** 4,872. **Student Body:** Asian 4%, African American 7%, Caucasian 80%, Hispanic 6%, International 1%, Native American <1%.

### Admissions

**Average high school GPA:** 3.69. 35% in top 10% of high school class, 69% in top 25% of high school class, 94% in top 50% of high school class. 82% from public high schools. ACT middle 50% range 23–28. SAT Math middle 50% range 510–650. SAT Critical Reading middle 50% range 520–660. SAT Writing middle 50% range 520–620. Minimum paper TOEFL 550, minimum web-based TOEFL 79.

### Costs and Financial Aid

**Annual tuition:** \$30,500. **Room & board:** \$9,420. **Required fees:** \$344. **Average book expense:** \$1,200. 99% first-year, 99% undergrads receive need-based scholarship or grant aid. 96% first-year, 82% undergrads receive need-based self-help aid. 97% first-year, 94% undergrads receive any aid. 68% of first-year need met, 68% of undergrad need met. **Average cumulative indebtedness:** \$18,887.

**Number of students in Engineering program:** 878  
**Engineering majors:** biomedical/medical; civil; computer; electrical; environmental; industrial; physics; materials; mechanical; manufacturing; transportation and highway  
14.4% of all Bachelor's Degrees awarded in Engineering.  
**Computer science:** 2% of all Bachelor's Degrees awarded in Computer and Information Sciences.

## BRIGHAM YOUNG UNIVERSITY (UT)

A-153 ASB, PROVO, UT 84602-1110

PHONE: 801-422-2507 • E-MAIL: ADMISSIONS@BYU.EDU

WEBSITE: WWW.BYU.EDU

### Student Body

**Enrollment:** 27,163. **Student Body:** Asian 2%, African American 1%, Caucasian 83%, Hispanic 6%, International 3%, Native American <1%.

### Admissions

**Average high school GPA:** 3.81. 55% in top 10% of high school class, 87% in top 25% of high school class, 98% in top 50% of high school class. ACT middle 50% range 27–31. SAT Math middle 50% range 580–680. SAT Critical Reading middle 50% range 570–690. Minimum paper TOEFL 500.

### Costs and Financial Aid

**Annual tuition:** \$10,000. **Room & board:** \$7,330. **Required fees:** \$0. **Average book expense:** \$992. 51% first-year, 51% undergrads receive need-based scholarship or grant aid. 78% first-year, 31% undergrads receive need-based self-help aid. 53% first-year, 64% undergrads receive any aid. 27% of first-year need met, 34% of undergrad need met. 26% undergrads borrow to pay for school. **Average cumulative indebtedness:** \$14,021.

**Number of students in Engineering program:** 2,336

**Engineering majors:** manufacturing; mechanical; electrical; computer; civil; chemical

6.4% of all Bachelor's Degrees awarded in Engineering.

**Computer science:** 3% of all Bachelor's Degrees awarded in Computer and Information Sciences.

## BROWN UNIVERSITY

Box 1876, PROVIDENCE, RI 02912

PHONE: 401-863-2378 • E-MAIL: ADMISSION@BROWN.EDU

WEBSITE: WWW.BROWN.EDU

### Student Body

**Enrollment:** 6,264. **Student Body:** Asian 13%, African American 7%, Caucasian 44%, Hispanic 11%, International 12%, Native American <1%.

### Admissions

92% in top 10% of high school class, 98% in top 25% of high school class, 100% in top 50% of high school class. 59% from public high schools. ACT middle 50% range 30–34. SAT Math middle 50% range 670–780. SAT Critical Reading middle 50% range 660–770. SAT Writing middle 50% range 670–780. Minimum paper TOEFL 600, minimum web-based TOEFL 100.

### Costs and Financial Aid

**Annual tuition:** \$46,408. **Room & board:** \$11,994. **Required fees:** \$1,026. **Average book expense:** \$1,420. 96% first-year, 96% undergrads receive need-based scholarship or grant aid. 99% first-year, 89% undergrads receive need-based self-help aid. 65% first-year, 57% undergrads receive any aid. 100% of first-year need met, 100% of undergrad need met. 35% undergrads borrow to pay for school. **Average cumulative indebtedness:** \$19,758.

**Number of students in Engineering program:** 215  
**Engineering majors:** engineering; bioengineering and biomedical; physics  
5% of all Bachelor's Degrees awarded in Engineering.  
**Computer science:** 4% of all Bachelor's Degrees awarded in Computer and Information Sciences.

## BUCKNELL UNIVERSITY

OFFICE OF ADMISSIONS, 1 DENT DRIVE, LEWISBURG, PA 17837

PHONE: 570-577-3000 • E-MAIL: ADMISSIONS@BUCKNELL.EDU

WEBSITE: WWW.BUCKNELL.EDU

### Student Body

**Enrollment:** 3,528. **Student Body:** Asian 4%, African American 3%, Caucasian 79%, Hispanic 5%, International 5%, Native American <1%.

### Admissions

**Average high school GPA:** 3.56. 68% in top 10% of high school class, 91% in top 25% of high school class, 99% in top 50% of high school class. 63% from public high schools. ACT middle 50% range 28–32. SAT Math middle 50% range 620–720. SAT Critical Reading middle 50% range 590–680. SAT Writing middle 50% range 610–700. Minimum paper TOEFL 600, minimum web-based TOEFL 100.

### Costs and Financial Aid

**Annual tuition:** \$48,234. **Room & board:** \$11,642. **Required fees:** \$264. **Average book expense:** \$900. 94% first-year, 94% undergrads receive need-based scholarship or grant aid. 94% first-year, 100% undergrads receive need-based self-help aid. 62% first-year, 61% undergrads receive any aid. 90% of first-year need met, 90% of undergrad need met. 55% undergrads borrow to pay for school. **Average cumulative indebtedness:** \$22,500.

**Number of students in Engineering program:** 705  
**Engineering majors:** bioengineering and biomedical; chemical; civil; computer; electrical; environmental; mechanical  
15.4% of all Bachelor's Degrees awarded in Engineering.  
**Computer science:** 1% of all Bachelor's Degrees awarded in Computer and Information Sciences.

# CALIFORNIA BAPTIST UNIVERSITY

8432 MAGNOLIA AVE, RIVERSIDE, CA 92504

PHONE: 951-343-4212 • E-MAIL: ADMISSIONS@CALBAPTIST.EDU

WEBSITE: WWW.CALBAPTIST.EDU

## Student Body

**Enrollment:** 6,435. **Student Body:** Asian 5%, African American 8%, Caucasian 41%, Hispanic 32%, International 2%, Native American 1%.

## Admissions

**Average high school GPA:** 3.35. 13% in top 10% of high school class, 40% in top 25% of high school class, 77% in top 50% of high school class. 88% from public high schools. ACT middle 50% range 18–24. SAT Math middle 50% range 420–550. SAT Critical Reading middle 50% range 420–550. SAT Writing middle 50% range 420–530. Minimum paper TOEFL 527, minimum web-based TOEFL 71.

## Costs and Financial Aid

**Annual tuition:** \$27,612. **Room & board:** \$9,370. **Required fees:** \$1,810. **Average book expense:** \$1,746. 72% first-year, 72% undergrads receive need-based scholarship or grant aid. 68% first-year, 75% undergrads receive need-based self-help aid. 90% first-year, 90% undergrads receive any aid. 56% of first-year need met, 51% of undergrad need met. 80% undergrads borrow to pay for school. **Average cumulative indebtedness:** \$26,132. **Number of students in Engineering program:** 479. **Engineering majors:** engineering; bioengineering and biomedical; chemical; civil; computer; computer software; mechanical. 5% of all Bachelor's Degrees awarded in Engineering.

# CALIFORNIA INSTITUTE OF TECHNOLOGY

1200 EAST CALIFORNIA BOULEVARD, PASADENA, CA 91125

PHONE: 626-395-6341 • E-MAIL: UGADMISSIONS@CALTECH.EDU

WEBSITE: ADMISSIONS.CALTECH.EDU

## Student Body

**Enrollment:** 977. **Student Body:** Asian 42%, African American 2%, Caucasian 30%, Hispanic 10%, International 9%, Native American <1%.

## Admissions

99% in top 10% of high school class, 100% in top 25% of high school class, 100% in top 50% of high school class. 70% from public high schools. ACT middle 50% range 33–35. SAT Math middle 50% range 770–800. SAT Critical Reading middle 50% range 720–800. SAT Writing middle 50% range 720–790.

## Costs and Financial Aid

**Annual tuition:** \$41,790. **Room & board:** \$12,918. **Required fees:** \$1,572. **Average book expense:** \$1,323. 100% first-year, 100% undergrads receive need-based scholarship or grant aid. 100% first-year, 70% undergrads receive need-based self-help aid. 60% first-year, 60% undergrads receive any aid. 100% of first-year need met, 100% of undergrad need met. 40% undergrads borrow to pay for school. **Average cumulative indebtedness:** \$13,723. **Number of students in Engineering program:** 230. **Engineering majors:** aerospace, aeronautical and astronautical/space; chemical; computer; electrical; environmental; materials; mechanical. 43% of all Bachelor's Degrees awarded in Engineering. **Computer science:** 14% of all Bachelor's Degrees awarded in Computer and Information Sciences.

# CALIFORNIA MARITIME ACADEMY OF CALIFORNIA STATE UNIVERSITY

200 MARITIME ACADEMY, VALLEJO, CA 94590-0644

PHONE: 707-654-1330 • E-MAIL: ADMISSION@CSUM.EDU

WEBSITE: WWW.CSUM.EDU

## Student Body

**Enrollment:** 974. **Student Body:** Asian 0%, African American 1%, Caucasian 4%, Hispanic 15%.

## Admissions

**Average high school GPA:** 3.10. 80% from public high schools. Minimum paper TOEFL 550.

## Costs and Financial Aid

**Annual in-state tuition:** \$5,472. **Room & board:** \$10,694. **Required fees:** \$2,620. **Average book expense:** \$1,262.

**Engineering majors:** mechanical

18% of all Bachelor's Degrees awarded in Engineering.

# CALIFORNIA POLYTECHNIC STATE UNIVERSITY

ADMISSIONS OFFICE, SAN LUIS OBISPO, CA 93407-0031

PHONE: 805-756-2311 • E-MAIL: ADMISSIONS@CALPOLY.EDU

WEBSITE: WWW.CALPOLY.EDU

## Student Body

**Enrollment:** 19,176. **Student Body:** Asian 12%, African American 1%, Caucasian 59%, Hispanic 15%, International 1%, Native American <1%.

## Admissions

**Average high school GPA:** 3.88. 52% in top 10% of high school class, 85% in top 25% of high school class, 98% in top 50% of high school class. ACT middle 50% range 25–30. SAT Math middle 50% range 580–680. SAT Critical Reading middle 50% range 550–640. Minimum paper TOEFL 550, minimum web-based TOEFL 80.

## Costs and Financial Aid

**Annual in-state tuition:** \$5,472. **Room & board:** \$11,123. **Required fees:** \$3,252. **Average book expense:** \$1,776. 74% first-year, 74% undergrads receive need-based scholarship or grant aid. 71% first-year, 66% undergrads receive need-based self-help aid. 59% of first-year need met, 59% of undergrad need met. **Engineering majors:** aerospace, aeronautical and astronautical/space; agricultural; architectural; bioengineering and biomedical; civil; computer; electrical; science; environmental; materials; mechanical; industrial; manufacturing. 26% of all Bachelor's Degrees awarded in Engineering. **Computer science:** 2% of all Bachelor's Degrees awarded in Computer and Information Sciences.

# CALIFORNIA STATE POLYTECHNIC UNIVERSITY, POMONA

3801 WEST TEMPLE AVENUE, POMONA, CA 91768

PHONE: 909-869-3210 • E-MAIL: ADMISSIONS@CPP.EDU

WEBSITE: WWW.CPP.EDU

## Student Body

**Enrollment:** 22,269. **Student Body:** Asian 25%, African American 3%, Caucasian 20%, Hispanic 39%, International 5%, Native American <1%.

## Admissions

**Average high school GPA:** 3.42. 88% from public high schools. ACT middle 50% range 20–26. SAT Math middle 50% range 470–620. SAT Critical Reading middle 50% range 450–570. Minimum paper TOEFL 525.

## Costs and Financial Aid

**Annual in-state tuition:** \$5,472. **Annual out-of-state tuition:** \$16,632. **Room & board:** \$13,284. **Required fees:** \$1,400. **Average book expense:** \$1,500. 88% first-year, 88% undergrads receive need-based scholarship or grant aid. 89% first-year, 51% undergrads receive need-based self-help aid. 78% first-year, 72% undergrads receive any aid. 58% of first-year need met, 55% of undergrad need met. 50% undergrads borrow to pay for school. **Average cumulative indebtedness:** \$20,795. **Number of students in Engineering program:** 5,298. **Engineering majors:** engineering; aerospace, aeronautical and astronautical/space; chemical; civil; computer; electrical; mechanical; industrial; manufacturing. 17.9% of all Bachelor's Degrees awarded in Engineering. **Computer science:** 2% of all Bachelor's Degrees awarded in Computer and Information Sciences.

# CALIFORNIA STATE UNIVERSITY, CHICO

400 WEST FIRST STREET, CHICO, CA 95929-0722

PHONE: 530-898-4428 • E-MAIL: INFO@CSUCHICO.EDU

WEBSITE: WWW.CSUCHICO.EDU

## Student Body

**Enrollment:** 16,255. **Student Body:** Asian 6%, African American 2%, Caucasian 49%, Hispanic 26%, International 4%, Native American 1%.

## Admissions

35% in top 10% of high school class, 76% in top 25% of high school class, 100% in top 50% of high school class. 91% from public high schools. ACT middle 50% range 19–24. SAT Math middle 50% range 440–5550. SAT Critical Reading middle 50% range 440–550. Minimum paper TOEFL 500, minimum web-based TOEFL 79.

## Costs and Financial Aid

**Annual in-state tuition:** \$7,002. **Annual out-of-state tuition:** \$18,162. **Room & board:** \$11,626. **Required fees:** \$1,530. **Average book expense:** \$1,746. 75% first-year, 75% undergrads receive need-based scholarship or grant aid. 77% first-year, 67% undergrads receive need-based self-help aid. 66% first-year, 63% undergrads receive any aid. 66% of first-year need met, 63% of undergrad need met. 83% undergrads borrow to pay for school. **Average cumulative indebtedness:** \$18,480. **Number of students in Engineering program:** 1,637. **Engineering majors:** civil; computer; electrical; mechanical. 4.3% of all Bachelor's Degrees awarded in Engineering. **Computer science:** 4% of all Bachelor's Degrees awarded in Computer and Information Sciences.

# CALIFORNIA STATE UNIVERSITY, DOMINGUEZ HILLS

100 EAST VICTORIA STREET, CARSON, CA 90747

PHONE: 310-243-3645 • E-MAIL: INFO@CSUDH.EDU

WEBSITE: WWW.CSUDH.EDU

## Student Body

**Enrollment:** 12,134. **Student Body:** Asian 9%, African American 15%, Caucasian 8%, Hispanic 58%, International 3%, Native American <1%.

## Admissions

**Average high school GPA:** 3.12. 93% from public high schools. ACT middle 50% range 15–20. SAT Math middle 50% range 380–470. SAT Critical Reading middle 50% range 380–470. SAT Writing middle 50% range 380–470. Minimum paper TOEFL 500, minimum web-based TOEFL 61.

## Costs and Financial Aid

**Average book expense:** \$1,746. 89% first-year, 89% undergrads receive need-based scholarship or grant aid. 84% first-year, 3% undergrads receive need-based self-help aid. 87% first-year, 81% undergrads receive any aid. 37% of first-year need met, 36% of undergrad need met. 60% undergrads borrow to pay for school. **Average cumulative indebtedness:** \$16,979. **Computer science:** 2% of all Bachelor's Degrees awarded in Computer and Information Sciences.

# CALIFORNIA STATE UNIVERSITY, EAST BAY

25800 CARLOS BEE BLVD., HAYWARD, CA 94542-3035

PHONE: 510-885-2784 • E-MAIL: ADMISSIONS@CSUEASTBAY.EDU

WEBSITE: WWW.CSUEASTBAY.EDU

## Student Body

**Enrollment:** 9,788. **Student Body:** Asian 20%, African American 10%, Caucasian 22%, Hispanic 19%, International 8%, Native American <1%.

## Admissions

**Average high school GPA:** 3.08. ACT middle 50% range 16–21. SAT Math middle 50% range 400–510. SAT Critical Reading middle 50% range 400–500. SAT Writing middle 50% range 410–500. Minimum paper TOEFL 525.

## Costs and Financial Aid

**Annual in-state tuition:** \$5,091. **Annual out-of-state tuition:** \$14,019. **Room & board:** \$11,042. **Average book expense:** \$1,734. 83% first-year, 83% undergrads receive need-based scholarship or grant aid. 83% first-year, 61% undergrads receive need-based self-help aid. 43% first-year, 42% under-

grads receive any aid. 62% of first-year need met, 56% of undergrad need met. 34% undergrads borrow to pay for school.

0.4% of all Bachelor's Degrees awarded in Engineering.

**Computer science:** 2% of all Bachelor's Degrees awarded in Computer and Information Sciences.

# CALIFORNIA STATE UNIVERSITY, FRESNO

5150 NORTH MAPLE AVE. M/S JA 57, FRESNO, CA 93740-8026

PHONE: 559-278-2261 • E-MAIL: ADMISSIONS@CSUFRESNO.EDU

WEBSITE: WWW.CSUFRESNO.EDU

## Student Body

**Enrollment:** 18,784. **Student Body:** Asian 15%, African American 5%, Caucasian 30%, Hispanic 38%, International 3%, Native American 1%.

## Admissions

**Average high school GPA:** 3.33. 15% in top 10% of high school class, 80% in top 25% of high school class, 100% in top 50% of high school class. 99% from public high schools. ACT middle 50% range 16–22. SAT Math middle 50% range 410–530. SAT Critical Reading middle 50% range 400–510. SAT Writing middle 50% range 400–510. Minimum paper TOEFL 500, minimum web-based TOEFL 61.

## Costs and Financial Aid

**Annual out-of-state tuition:** \$11,160. **Room & board:** \$10,550. **Required fees:** \$790. **Average book expense:** \$1,256. 83% first-year, 83% undergrads receive need-based scholarship or grant aid. 80% first-year, 79% undergrads receive need-based self-help aid. 76% first-year, 78% undergrads receive any aid. 72% of first-year need met, 71% of undergrad need met. 79% undergrads borrow to pay for school. **Average cumulative indebtedness:** \$11,349. **Number of students in Engineering program:** 1,369. **Engineering majors:** civil engineering; computer engineering; electrical; environmental; mechanical; construction; industrial; surveying. 4% of all Bachelor's Degrees awarded in Engineering.

# CALIFORNIA STATE UNIVERSITY, FULLERTON

P.O. Box 6900, FULLERTON, CA 92834-6900

PHONE: 657-278-7788 • E-MAIL: ADMISSIONS@FULLERTON.EDU

WEBSITE: WWW.FULLERTON.EDU

## Student Body

**Enrollment:** 32,610. **Student Body:** Asian 22%, African American 2%, Caucasian 24%, Hispanic 39%, International 5%, Native American <1%.

## Admissions

**Average high school GPA:** 3.53. 24% in top 10% of high school class, 66% in top 25% of high school class, 96% in top 50% of high school class. 88% from public high schools. ACT middle 50% range 19–24. SAT Math middle 50% range 470–580. SAT Critical Reading middle 50% range 450–550. Minimum paper TOEFL 500, minimum web-based TOEFL 61.

## Costs and Financial Aid

**Annual in-state tuition:** \$5,472. **Annual out-of-state tuition:** \$16,632. **Room & board:** \$13,510. **Required fees:** \$844. **Average book expense:** \$1,806. 80% first-year, 80% undergrads receive need-based scholarship or grant aid. 78% first-year, 53% undergrads receive need-based self-help aid. 66% first-year, 45% undergrads receive any aid. 57% of first-year need met, 67% of undergrad need met. 42% undergrads borrow to pay for school. **Average cumulative indebtedness:** \$14,983. **Number of students in Engineering program:** 2,120. **Engineering majors:** civil; computer; electrical; mechanical; operations research. 2% of all Bachelor's Degrees awarded in Engineering. **Computer science:** 1% of all Bachelor's Degrees awarded in Computer and Information Sciences.



## CALIFORNIA STATE UNIVERSITY, LONG BEACH

1250 BELFLOWER BOULEVARD, LONG BEACH, CA 90840  
PHONE: 562-985-5471 • E-MAIL: ESLB@CSULB.EDU  
WEBSITE: WWW.CSULB.EDU

### Student Body

**Enrollment:** 31,523. **Student Body:** Asian 23%, African American 4%, Caucasian 20%, Hispanic 38%, International 6%, Native American <1%.

### Admissions

**Average high school GPA:** 3.52. 0% in top 25% of high school class, 0% in top 50% of high school class. 82% from public high schools. ACT middle 50% range 20–25. SAT Math middle 50% range 480–600. SAT Critical Reading middle 50% range 460–570. Minimum paper TOEFL 525.

### Costs and Financial Aid

**Annual in-state tuition:** \$5,440. **Annual out-of-state tuition:** \$11,160.

**Room & board:** \$11,688. **Required fees:** \$980. **Average book expense:** \$1,828.

80% first-year, 80% undergrads receive need-based scholarship or grant aid. 80% first-year, 79% undergrads receive need-based self-help aid. 80% of first-year need met, 83% of undergrad need met. 43% undergrads borrow to pay for school. **Average cumulative indebtedness:** \$15,680.

**Engineering majors:** aerospace, aeronautical and astronautical/space; bioengineering and biomedical; chemical; civil; computer; electrical; materials; mechanical; ocean; construction; industrial; manufacturing  
6% of all Bachelor's Degrees awarded in Engineering.

**Computer science:** 1% of all Bachelor's Degrees awarded in Computer and Information Sciences.

## CALIFORNIA STATE UNIVERSITY, LOS ANGELES

5151 STATE UNIVERSITY DRIVE, LOS ANGELES, CA 90032  
PHONE: 323-343-3901 • E-MAIL: ADMISSION@CALSTATELA.EDU

### Student Body

**Enrollment:** 18,074. **Student Body:** Asian 17%, African American 5%, Caucasian 8%, Hispanic 58%, International 4%, Native American <1%.

### Admissions

**Average high school GPA:** 3.16. ACT middle 50% range 15–20. SAT Math middle 50% range 390–510. SAT Critical Reading middle 50% range 380–480. Minimum paper TOEFL 550.

### Costs and Financial Aid

**Annual in-state tuition:** \$6,101. **Annual out-of-state tuition:** \$17,759.

**Room & board:** \$9,728. **Average book expense:** \$1,665.

88% first-year, 88% undergrads receive need-based scholarship or grant aid. 88% first-year, 79% undergrads receive need-based self-help aid. 76% first-year, 77% undergrads receive any aid. 77% of first-year need met, 77% of undergrad need met.

**Number of students in Engineering program:** 1,916

**Engineering majors:** engineering; civil; electrical; mechanical  
4.1% of all Bachelor's Degrees awarded in Engineering.

**Computer science:** 2% of all Bachelor's Degrees awarded in Computer and Information Sciences.

## CALIFORNIA STATE UNIVERSITY, NORTHRIDGE

ADMISSIONS AND RECORDS, CSU NORTHRIDGE, NORTHRIDGE, CA 91330-8207  
PHONE: 818-677-3700 • E-MAIL: ADMISSIONS.RECORDS@CSUN.EDU  
WEBSITE: WWW.CSUN.EDU

### Student Body

**Enrollment:** 31,119. **Student Body:** Asian 11%, African American 7%, Caucasian 28%, Hispanic 38%, International 7%, Native American <1%.

### Admissions

81% from public high schools. Minimum paper TOEFL 500.

### Costs and Financial Aid

**Average book expense:** \$1,754.

## CALIFORNIA STATE UNIVERSITY, SACRAMENTO

6000 J STREET, SACRAMENTO, CA 95819-2694  
PHONE: 916-278-7766 • E-MAIL: OUTREACH@CSUS.EDU  
WEBSITE: WWW.CSUS.EDU

### Student Body

**Enrollment:** 25,457. **Student Body:** Asian 21%, African American 6%, Caucasian 39%, Hispanic 19%, International 1%, Native American 1%.

### Admissions

**Average high school GPA:** 3.26. 100% in top 50% of high school class. 89% from public high schools. ACT middle 50% range 17–22. SAT Math middle 50% range 430–540. SAT Critical Reading middle 50% range 410–520. Minimum paper TOEFL 510.

### Costs and Financial Aid

**Annual in-state tuition:** \$5,472. **Annual out-of-state tuition:** \$16,632.

**Room & board:** \$10,370. **Required fees:** \$1,130. **Average book expense:** \$1,754.

77% first-year, 77% undergrads receive need-based scholarship or grant aid. 78% first-year, 93% undergrads receive need-based self-help aid. 50% undergrads receive any aid. 60% of first-year need met, 58% of undergrad need met. 43% undergrads borrow to pay for school.

**Engineering majors:** civil; computer; computer software; electrical; mechanical

4% of all Bachelor's Degrees awarded in Engineering.

**Computer science:** 1% of all Bachelor's Degrees awarded in Computer and Information Sciences.

## CALIFORNIA STATE UNIVERSITY, SAN BERNARDINO

5500 UNIVERSITY PARKWAY, SAN BERNARDINO, CA 92407-2397  
PHONE: 909-537-5188 • E-MAIL: MOREINFO@MAIL.CSUSB.EDU  
WEBSITE: WWW.CSUSB.EDU

### Student Body

**Enrollment:** 16,676. **Student Body:** Asian 6%, African American 6%, Caucasian 16%, Hispanic 58%, International 7%, Native American <1%.

### Admissions

**Average high school GPA:** 3.23. 95% from public high schools. ACT middle 50% range 16–20. SAT Math middle 50% range 400–500. SAT Critical Reading middle 50% range 390–490. SAT Writing middle 50% range 392–480. Minimum paper TOEFL 500, minimum web-based TOEFL 61.

### Costs and Financial Aid

**Annual in-state tuition:** \$5,472. **Annual out-of-state tuition:** \$11,160.

**Room & board:** \$9,933. **Required fees:** \$1,086. **Average book expense:** \$1,557.

94% first-year, 94% undergrads receive need-based scholarship or grant aid. 95% first-year, 45% undergrads receive need-based self-help aid. 78% of first-year need met, 74% of undergrad need met. 66% undergrads borrow to pay for school. **Average cumulative indebtedness:** \$19,262.

**Engineering majors:** computer

0.7% of all Bachelor's Degrees awarded in Engineering.

**Computer science:**

1% of all Bachelor's Degrees awarded in Computer and Information Sciences.

## CALVIN COLLEGE

3201 BURTON STREET S.E., GRAND RAPIDS, MI 49546  
PHONE: 616-526-6106 • E-MAIL: ADMISSIONS@CALVIN.EDU  
WEBSITE: WWW.CALVIN.EDU

### Student Body

**Enrollment:** 3,825. **Student Body:** Asian 4%, African American 2%, Caucasian 75%, Hispanic 3%, International 10%, Native American <1%.

### Admissions

**Average high school GPA:** 3.69. 32% in top 10% of high school class, 58% in top 25% of high school class, 85% in top 50% of high school class. 45% from public high schools. ACT middle 50% range 23–29. SAT Math middle 50% range 530–660. SAT Critical Reading middle 50% range 520–640. Minimum paper TOEFL 550, minimum web-based TOEFL 80.

### Costs and Financial Aid

**Annual tuition:** \$29,400. **Room & board:** \$9,485. **Required fees:** \$235. **Average book expense:** \$1,000. 100% first-year, 100% undergrads receive need-based scholarship or grant aid. 99% first-year, 92% undergrads receive need-based self-help aid. 97% first-year, 95% undergrads receive any aid. 78% of first-year need met, 72% of undergrad need met. 67% undergrads borrow to pay for school. **Average cumulative indebtedness:** \$23,581. **Number of students in Engineering program:** 415 **Engineering majors:** engineering; chemical; civil; mechanical 5.7% of all Bachelor's Degrees awarded in Engineering. **Computer science:** 1% of all Bachelor's Degrees awarded in Computer and Information Sciences.

## CAPITOL COLLEGE

11301 SPRINGFIELD ROAD, LAUREL, MD 20708  
PHONE: 800-950-1992 • E-MAIL: ADMISSIONS@CAPITOL-COLLEGE.EDU  
WEBSITE: WWW.CAPITOL-COLLEGE.EDU

### Student Body

**Enrollment:** 452. **Student Body:** Asian 7%, African American 36%, Caucasian 48%, Hispanic 2%, International 4%, Native American <1%.

### Admissions

85% from public high schools. SAT Math middle 50% range 350–590. SAT Critical Reading middle 50% range 400–520. Minimum paper TOEFL 500.

### Costs and Financial Aid

**Annual tuition:** \$16,500. **Room & board:** \$3,710. **Required fees:** \$600. **Average book expense:** \$800. 100% first-year, 100% undergrads receive need-based scholarship or grant aid. 83% first-year, 69% undergrads receive need-based self-help aid. 27% of first-year need met, 37% of undergrad need met. 89% undergrads borrow to pay for school. **Engineering majors:** aerospace, aeronautical and astronautical/space; computer; electrical 69% of all Bachelor's Degrees awarded in Engineering. **Computer science:** 31% of all Bachelor's Degrees awarded in Computer and Information Sciences.

## CARNEGIE MELLON UNIVERSITY

5000 FORBES AVENUE, PITTSBURGH, PA 15213  
PHONE: 412-268-2082 • E-MAIL: UNDERGRADUATE-ADMISSIONS@ANDREW.CMU.EDU  
WEBSITE: WWW.CMU.EDU

### Student Body

**Enrollment:** 6,237. **Student Body:** Asian 25%, African American 5%, Caucasian 33%, Hispanic 7%, International 21%, Native American <1%.

### Admissions

**Average high school GPA:** 3.72. 79% in top 10% of high school class, 94% in top 25% of high school class, 99% in top 50% of high school class. ACT middle 50% range 30–34. SAT Math middle 50% range 700–800. SAT Critical Reading middle 50% range 640–740. SAT Writing middle 50% range 660–760. Minimum paper TOEFL 600, minimum web-based TOEFL 102.

### Costs and Financial Aid

**Annual tuition:** \$49,610. **Room & board:** \$12,830. **Required fees:** \$1,055. **Average book expense:** \$2,400. 94% first-year, 94% undergrads receive need-based scholarship or grant aid. 95% first-year, 86% undergrads receive need-based self-help aid. 46% first-year, 45% undergrads receive any aid. 83% of first-year need met, 83% of undergrad need met. 45% undergrads borrow to pay for school. **Average cumulative indebtedness:** \$25,430. **Number of students in Engineering program:** 2,142 **Engineering majors:** engineering; chemical; civil; electrical; mechanical; operations research 24% of all Bachelor's Degrees awarded in Engineering. **Computer science:** 12% of all Bachelor's Degrees awarded in Computer and Information Sciences.

## CARROLL COLLEGE (MT)

1601 NORTH BENTON AVENUE, HELENA, MT 59625  
PHONE: 406-447-4384 • E-MAIL: ADMISSION@CARROLL.EDU  
WEBSITE: WWW.CARROLL.EDU

### Student Body

**Enrollment:** 1,376. **Student Body:** Asian 1%, African American 1%, Caucasian 81%, Hispanic 4%, International 1%, Native American 1%.

### Admissions

**Average high school GPA:** 3.47. 25% in top 10% of high school class, 61% in top 25% of high school class, 90% in top 50% of high school class. 75% from public high schools. ACT middle 50% range 22–27. SAT Math middle 50% range 510–610. SAT Critical Reading middle 50% range 490–620. SAT Writing middle 50% range 490–590.

### Costs and Financial Aid

**Annual tuition:** \$27,304. **Room & board:** \$8,668. **Required fees:** \$610. **Average book expense:** \$1,000. 99% first-year, 99% undergrads receive need-based scholarship or grant aid. 99% first-year, 85% undergrads receive need-based self-help aid. 98% first-year, 98% undergrads receive any aid. 73% of first-year need met, 71% of undergrad need met. 65% undergrads borrow to pay for school. **Average cumulative indebtedness:** \$23,429. **Number of students in Engineering program:** 70 **Engineering majors:** engineering; civil 3% of all Bachelor's Degrees awarded in Engineering. **Computer science:** 2% of all Bachelor's Degrees awarded in Computer and Information Sciences.

## CASE WESTERN RESERVE UNIVERSITY

WOLSTEIN HALL, CLEVELAND, OH 44106-7055  
PHONE: 216-368-4450 • E-MAIL: ADMISSION@CASE.EDU  
WEBSITE: WWW.CASE.EDU

### Student Body

**Enrollment:** 4,807. **Student Body:** Asian 19%, African American 4%, Caucasian 53%, Hispanic 6%, International 9%, Native American <1%.

### Admissions

68% in top 10% of high school class, 92% in top 25% of high school class, 99% in top 50% of high school class. 70% from public high schools. ACT middle 50% range 29–33. SAT Math middle 50% range 660–760. SAT Critical Reading middle 50% range 610–710. SAT Writing middle 50% range 610–710. Minimum paper TOEFL 577, minimum web-based TOEFL 90.

### Costs and Financial Aid

80% first-year, 80% undergrads receive need-based scholarship or grant aid. 84% first-year, 84% undergrads receive need-based self-help aid. 87% first-year, 90% undergrads receive any aid. 87% of first-year need met, 84% of undergrad need met. 60% undergrads borrow to pay for school. **Average cumulative indebtedness:** \$24,313. **Number of students in Engineering program:** 1,154 **Engineering majors:** engineering; aerospace, aeronautical and astronautical/space; bioengineering and biomedical; chemical; civil; computer; electrical; physics; materials; mechanical; systems; polymer/plastics 29% of all Bachelor's Degrees awarded in Engineering. **Computer science:** 4% of all Bachelor's Degrees awarded in Computer and Information Sciences.

## THE CATHOLIC UNIVERSITY OF AMERICA

OFFICE OF UNDERGRADUATE ADMISSIONS, WASHINGTON, DC 20064  
PHONE: 202-319-5305 • E-MAIL: CUA-ADMISSIONS@CUA.EDU  
WEBSITE: WWW.CUA.EDU

### Student Body

**Enrollment:** 3,499. **Student Body:** Asian 3%, African American 6%, Caucasian 64%, Hispanic 12%, International 5%, Native American <1%.

### Admissions

**Average high school GPA:** 3.37. 57% from public high schools. ACT middle 50% range 22–28. SAT Math middle 50% range 510–610. SAT Critical Reading middle 50% range 510–620. Minimum paper TOEFL 550, minimum web-based TOEFL 80.

### Costs and Financial Aid

**Annual tuition:** \$39,200. **Room & board:** \$14,518. **Required fees:** \$526. **Average book expense:** \$1,000. 98% first-year, 98% undergrads receive need-based scholarship or grant aid. 97% first-year, 88% undergrads receive need-based self-help aid. 95% first-year, 90% undergrads receive any aid. 78% of first-year need met, 79% of undergrad need met. **Number of students in Engineering program:** 493 **Engineering majors:** engineering; bioengineering and biomedical; civil; electrical; mechanical  
8% of all Bachelor's Degrees awarded in Engineering.  
**Computer science:** 1% of all Bachelor's Degrees awarded in Computer and Information Sciences.

## CEDARVILLE UNIVERSITY

251 N. MAIN STREET, CEDARVILLE, OH 45314

PHONE: 937-766-7700 • E-MAIL: ADMISSIONS@CEDARVILLE.EDU

WEBSITE: WWW.CEDARVILLE.EDU

### Student Body

**Enrollment:** 3,082. **Student Body:** Asian 2%, African American 2%, Caucasian 87%, Hispanic 2%, International 2%, Native American <1%.

### Admissions

**Average high school GPA:** 3.65. 35% in top 10% of high school class, 65% in top 25% of high school class, 89% in top 50% of high school class. 52% from public high schools. ACT middle 50% range 23–29. SAT Math middle 50% range 540–650. SAT Critical Reading middle 50% range 540–650. SAT Writing middle 50% range 510–630. Minimum paper TOEFL 550, minimum web-based TOEFL 80.

### Costs and Financial Aid

**Annual tuition:** \$27,006. **Room & board:** \$6,542. **Required fees:** \$200. **Average book expense:** \$1,200. 82% first-year, 82% undergrads receive need-based scholarship or grant aid. 84% first-year, 80% undergrads receive need-based self-help aid. 96% first-year, 88% undergrads receive any aid. 25% of first-year need met, 33% of undergrad need met. 65% undergrads borrow to pay for school. **Average cumulative indebtedness:** \$22,444. **Number of students in Engineering program:** 372 **Engineering majors:** pre-engineering; computer; electrical; mechanical  
7% of all Bachelor's Degrees awarded in Engineering.  
**Computer science:** 1% of all Bachelor's Degrees awarded in Computer and Information Sciences.

## CENTRAL CONNECTICUT STATE UNIVERSITY

1615 STANLEY STREET, NEW BRITAIN, CT 06050

PHONE: 860-832-2278 • E-MAIL: ADMISSIONS@CCSU.EDU

WEBSITE: WWW.CCSU.EDU

### Student Body

**Enrollment:** 9,600. **Student Body:** Asian 4%, African American 11%, Caucasian 66%, Hispanic 13%, International 1%, Native American <1%.

### Admissions

**Average high school GPA:** 3.00. 9% in top 10% of high school class, 19% in top 25% of high school class, 68% in top 50% of high school class. 95% from public high schools. ACT middle 50% range 20–23. SAT Math middle 50% range 460–560. SAT Critical Reading middle 50% range 460–550. SAT Writing middle 50% range 450–540. Minimum paper TOEFL 500.

### Costs and Financial Aid

**Annual in-state tuition:** \$4,600. **Annual out-of-state tuition:** \$14,886. **Room & board:** \$10,872. **Required fees:** \$4,277. **Average book expense:** \$1,200. 88% first-year, 88% undergrads receive need-based scholarship or grant aid. 78% first-year, 72% undergrads receive need-based self-help aid. 69% first-year, 61% undergrads receive any aid. 69% of first-year need met, 61% of undergrad need met. 53% undergrads borrow to pay for school. **Average cumulative indebtedness:** \$21,200. **Number of students in Engineering program:** 363 **Engineering majors:** civil; mechanical  
1.9% of all Bachelor's Degrees awarded in Engineering.  
**Computer science:** 2% of all Bachelor's Degrees awarded in Computer and Information Sciences.

## CENTRAL MICHIGAN UNIVERSITY

102 WARRINER HALL, MOUNT PLEASANT, MI 48859

PHONE: 989-774-3076 • E-MAIL: CMUADMIT@CMICH.EDU

WEBSITE: WWW.CMICH.EDU

### Student Body

**Enrollment:** 20,837. **Student Body:** Asian 1%, African American 8%, Caucasian 77%, Hispanic 3%, International 2%, Native American 1%.

### Admissions

**Average high school GPA:** 3.34. 15% in top 10% of high school class, 39% in top 25% of high school class, 73% in top 50% of high school class. 88% from public high schools. ACT middle 50% range 20–25. SAT Math middle 50% range 470–592. SAT Critical Reading middle 50% range 450–587. SAT Writing middle 50% range 425–520.

### Costs and Financial Aid

**Annual in-state tuition:** \$11,550. **Annual out-of-state tuition:** \$23,670. **Room & board:** \$8,780. **Required fees:** \$0. **Average book expense:** \$1,000. 82% first-year, 82% undergrads receive need-based scholarship or grant aid. 74% first-year, 88% undergrads receive need-based self-help aid. 89% first-year, 84% undergrads receive any aid. 83% of first-year need met, 79% of undergrad need met. 74% undergrads borrow to pay for school. **Average cumulative indebtedness:** \$28,961. **Number of students in Engineering program:** 276 **Engineering majors:** manufacturing; mechanical; electrical  
0.6% of all Bachelor's Degrees awarded in Engineering.  
**Computer science:** 2% of all Bachelor's Degrees awarded in Computer and Information Sciences.

## CENTRAL STATE UNIVERSITY

PO BOX 1004, WILBERFORCE, OH 45384

PHONE: 937-376-6348 • E-MAIL: ADMISSIONS@CENTRALSTATE.EDU

WEBSITE: WWW.CENTRALSTATE.EDU

### Student Body

**Enrollment:** 2,090. **Student Body:** Asian 0%, African American 79%, Caucasian 1%, Hispanic 1%, International 0%, Native American <1%.

### Admissions

**Average high school GPA:** 2.60. ACT middle 50% range 15–18. SAT Math middle 50% range 340–460. SAT Critical Reading middle 50% range 350–450. Minimum paper TOEFL 500.

### Costs and Financial Aid

**Average book expense:** \$1,200. 100% first-year, 100% undergrads receive need-based scholarship or grant aid. 100% first-year, 100% undergrads receive need-based self-help aid. 45% of first-year need met, 51% of undergrad need met. **Engineering majors:** water resources; manufacturing  
4% of all Bachelor's Degrees awarded in Engineering.  
**Computer science:** 1% of all Bachelor's Degrees awarded in Computer and Information Sciences

## CENTRAL WASHINGTON UNIVERSITY

ADMISSIONS OFFICE, ELLENSBURG, WA 98926-7463

PHONE: 509-963-1211 • E-MAIL: CWUADMIS@CWU.EDU

WEBSITE: WWW.CWU.EDU

### Student Body

**Enrollment:** 9,688. **Student Body:** Asian 7%, African American 3%, Caucasian 75%, Hispanic 8%, International 2%, Native American 3%.

### Admissions

**Average high school GPA:** 3.20. 4% in top 10% of high school class, 23% in top 25% of high school class, 65% in top 50% of high school class. ACT middle 50% range 18–23. SAT Math middle 50% range 440–550. SAT Critical Reading middle 50% range 440–540. Minimum paper TOEFL 525.

### Costs and Financial Aid

**Annual in-state tuition:** \$4,842. **Annual out-of-state tuition:** \$14,013. **Room & board:** \$8,052. **Required fees:** \$882. **Average book expense:** \$924. 68% first-year, 68% undergrads receive any aid. **Computer science:** 1% of all Bachelor's Degrees awarded in Computer and Information Sciences.

# CHRISTIAN BROTHERS UNIVERSITY

ADMISSIONS, BOX T-6, MEMPHIS, TN 38104-5519

PHONE: 901-321-3205 • E-MAIL: ADMISSIONS@CBU.EDU

WEBSITE: WWW.CBU.EDU

## Student Body

**Enrollment:** 1,295. **Student Body:** Asian 5%, African American 32%, Caucasian 45%, Hispanic 7%, International 3%, Native American <1%.

## Admissions

**Average high school GPA:** 3.73. 28% in top 10% of high school class, 60% in top 25% of high school class, 93% in top 50% of high school class. 69% from public high schools. ACT middle 50% range 21–27. Minimum paper TOEFL 500.

## Costs and Financial Aid

**Annual tuition:** \$27,620. **Room & board:** \$6,520. **Required fees:** \$590. **Average book expense:** \$1,146. 99% first-year, 99% undergrads receive need-based scholarship or grant aid. 98% first-year, 72% undergrads receive need-based self-help aid. 100% first-year, 100% undergrads receive any aid. 79% of first-year need met, 75% of undergrad need met. 64% undergrads borrow to pay for school.

**Number of students in Engineering program:** 210

**Engineering majors:** chemical; civil; electrical; physics; mechanical  
14.7% of all Bachelor's Degrees awarded in Engineering.

**Computer science:**  
3% of all Bachelor's Degrees awarded in Computer and Information Sciences.

# CHRISTOPHER NEWPORT UNIVERSITY

1 AVENUE OF THE ARTS, NEWPORT NEWS, VA 23606-3072

PHONE: 757-594-7015 • E-MAIL: ADMIT@CNU.EDU

WEBSITE: WWW.CNU.EDU

## Student Body

**Enrollment:** 5,084. **Student Body:** Asian 2%, African American 8%, Caucasian 75%, Hispanic 5%, International 0%, Native American <1%.

## Admissions

**Average high school GPA:** 3.76. 18% in top 10% of high school class, 54% in top 25% of high school class, 91% in top 50% of high school class. ACT middle 50% range 23–27. SAT Math middle 50% range 530–620. SAT Critical Reading middle 50% range 530–630. SAT Writing middle 50% range 510–610. Minimum paper TOEFL 530, minimum web-based TOEFL 71.

## Costs and Financial Aid

64% first-year, 64% undergrads receive need-based scholarship or grant aid. 63% first-year, 83% undergrads receive need-based self-help aid. 74% first-year, 70% undergrads receive any aid. 67% of first-year need met, 66% of undergrad need met. 63% undergrads borrow to pay for school. **Average cumulative indebtedness:** \$23,118.

**Number of students in Engineering program:** 90

**Engineering majors:** computer; electrical  
2% of all Bachelor's Degrees awarded in Engineering.

**Computer science:** 5% of all Bachelor's Degrees awarded in Computer and Information Sciences.

# THE CITADEL, THE MILITARY COLLEGE OF SOUTH CAROLINA

171 MOULTRIE STREET, CHARLESTON, SC 29409

PHONE: 843-953-5230 • E-MAIL: ADMISSIONS@CITADEL.EDU

WEBSITE: WWW.CITADEL.EDU

## Student Body

**Enrollment:** 2,688. **Student Body:** Asian 2%, African American 8%, Caucasian 77%, Hispanic 7%, International 1%, Native American 1%.

## Admissions

**Average high school GPA:** 3.59. 12% in top 10% of high school class, 33% in top 25% of high school class, 74% in top 50% of high school class. ACT middle 50% range 20–25. SAT Math middle 50% range 500–600. SAT Critical Reading middle 50% range 490–590. Minimum paper TOEFL 550, minimum web-based TOEFL 79.

## Costs and Financial Aid

**Annual in-state tuition:** \$11,098. **Annual out-of-state tuition:** \$30,706.

**Room & board:** \$6,381. **Required fees:** \$1,470. **Average book expense:** \$7,425. 79% first-year, 79% undergrads receive need-based scholarship or grant aid. 78% first-year, 71% undergrads receive need-based self-help aid. 83% first-year, 85% undergrads receive any aid. 50% of first-year need met, 58% of undergrad need met. 65% undergrads borrow to pay for school. **Average cumulative indebtedness:** \$22,759.

**Number of students in Engineering program:** 420

**Engineering majors:** civil; electrical  
14% of all Bachelor's Degrees awarded in Engineering.

**Computer science:** 1% of all Bachelor's Degrees awarded in Computer and Information Sciences.

# CITY UNIVERSITY OF NEW YORK— CITY COLLEGE

160 CONVENT AVENUE, WILLE ADMIN. BLDG., NEW YORK, NY 10031

PHONE: 212 650 6977 • E-MAIL: ADMISSIONS@CCNY.CUNY.EDU

WEBSITE: WWW.CCNY.CUNY.EDU

## Student Body

**Enrollment:** 12,171. **Student Body:** Asian 25%, African American 19%, Caucasian 19%, Hispanic 30%, International 7%, Native American <1%.

## Admissions

85% from public high schools. SAT Math middle 50% range 520–640. SAT Critical Reading middle 50% range 460–580. SAT Writing middle 50% range 450–580. Minimum paper TOEFL 500, minimum web-based TOEFL 61.

## Costs and Financial Aid

**Annual in-state tuition:** \$6,030. **Annual out-of-state tuition:** \$16,050.

**Room & board:** \$13,848. **Required fees:** \$442. **Average book expense:** \$1,404. 91% first-year, 91% undergrads receive need-based scholarship or grant aid. 97% first-year, 61% undergrads receive need-based self-help aid. 80% first-year, 79% undergrads receive any aid. 84% of first-year need met, 82% of undergrad need met. 21% undergrads borrow to pay for school. **Average cumulative indebtedness:** \$16,635.

**Number of students in Engineering program:** 1,973

**Engineering majors:** bioengineering and biomedical; chemical; civil; electrical; environmental

12.6% of all Bachelor's Degrees awarded in Engineering.

**Computer science:** 1% of all Bachelor's Degrees awarded in Computer and Information Sciences.

# CITY UNIVERSITY OF NEW YORK— THE COLLEGE OF STATEN ISLAND

2800 VICTORY BOULEVARD, STATEN ISLAND, NY 10314

PHONE: 718-982-2010 • E-MAIL: ADMISSIONS@CSI.CUNY.EDU

WEBSITE: WWW.CSI.CUNY.EDU

## Student Body

**Enrollment:** 12,942. **Student Body:** Asian 12%, African American 15%, Caucasian 54%, Hispanic 17%, International 2%, Native American <1%.

## Admissions

**Average high school GPA:** 3.02. 79% from public high schools. SAT Math middle 50% range 470–570. SAT Critical Reading middle 50% range 440–530. SAT Writing middle 50% range 430–530. Minimum paper TOEFL 450, minimum web-based TOEFL 45.

## Costs and Financial Aid

92% first-year, 92% undergrads receive need-based scholarship or grant aid. 91% first-year, 35% undergrads receive need-based self-help aid. 63% of first-year need met, 60% of undergrad need met.

**Number of students in Engineering program:** 516

**Engineering majors:** engineering  
1.6% of all Bachelor's Degrees awarded in Engineering.

**Computer science:** 4% of all Bachelor's Degrees awarded in Computer and Information Sciences.

# CLARKSON UNIVERSITY

8 CLARKSON AVE., BOX 5605, POTSDAM, NY 13699

PHONE: 315-268-6480 • E-MAIL: ADMISSION@CLARKSON.EDU

WEBSITE: WWW.CLARKSON.EDU

## Student Body

**Enrollment:** 3,130. **Student Body:** Asian 3%, African American 2%, Caucasian 83%, Hispanic 5%, International 2%, Native American <1%.

## Admissions

**Average high school GPA:** 3.70. 41% in top 10% of high school class, 76% in top 25% of high school class, 96% in top 50% of high school class. 82% from public high schools. ACT middle 50% range 24–29. SAT Math middle 50% range 570–670. SAT Critical Reading middle 50% range 520–620. SAT Writing middle 50% range 500–600. Minimum paper TOEFL 550, minimum web-based TOEFL 80.

## Costs and Financial Aid

100% first-year, 100% undergrads receive need-based scholarship or grant aid. 99% first-year, 84% undergrads receive need-based self-help aid. 98% first-year, 98% undergrads receive any aid. 90% of first-year need met, 90% of undergrad need met. 85% undergrads borrow to pay for school. **Average cumulative indebtedness:** \$27,000.

**Number of students in Engineering program:** 1,799

**Engineering majors:** engineering; aerospace, aeronautical and astronautical/space; chemical; civil; computer; computer software; electrical; science; environmental; materials; mechanical

55% of all Bachelor's Degrees awarded in Engineering.

**Computer science:** 2% of all Bachelor's Degrees awarded in Computer and Information Sciences

# CLEMSON UNIVERSITY

105 SIKES HALL, CLEMSON, SC 29634-5124

PHONE: 864-656-2287 • E-MAIL: CUADMISSIONS@CLEMSON.EDU

WEBSITE: WWW.CLEMSON.EDU

## Student Body

**Enrollment:** 16,801. **Student Body:** Asian 2%, African American 6%, Caucasian 84%, Hispanic 3%, International 1%, Native American <1%.

## Admissions

89% from public high schools. ACT middle 50% range 26–31. Minimum paper TOEFL 550.

## Costs and Financial Aid

**Annual in-state tuition:** \$13,382. **Annual out-of-state tuition:** \$30,826.

**Room & board:** \$8,142. **Average book expense:** \$1,112. 44% first-year, 44% undergrads receive need-based scholarship or grant aid. 44% first-year, 70% undergrads receive need-based self-help aid. 87% first-year, 71% undergrads receive any aid. 36% of first-year need met, 32% of undergrad need met. 49% undergrads borrow to pay for school. **Average cumulative indebtedness:** \$26,934.

**Engineering majors:** engineering; agricultural; bioengineering and biomedical; ceramic sciences; chemical; civil; computer; electrical; mechanics; environmental; materials; mechanical; textile sciences; industrial

17% of all Bachelor's Degrees awarded in Engineering.

**Computer science:** 1% of all Bachelor's Degrees awarded in Computer and Information Sciences.

# CLEVELAND STATE UNIVERSITY

2121 EUCLID AVENUE, CLEVELAND, OH 44115-2214

PHONE: 216-523-7416 • E-MAIL: ADMISSIONS@CSUOHIO.EDU

WEBSITE: WWW.CSUOHIO.EDU

## Student Body

**Enrollment:** 11,170. **Student Body:** Asian 2%, African American 21%, Caucasian 62%, Hispanic 4%, International 4%, Native American <1%.

## Admissions

**Average high school GPA:** 3.19. 12% in top 10% of high school class, 38% in top 25% of high school class, 74% in top 50% of high school class. ACT middle 50% range 19–24. SAT Math middle 50% range 450–580. SAT Critical Reading middle 50% range 440–570. Minimum paper TOEFL 525.

## Costs and Financial Aid

**Annual in-state tuition:** \$9,264. **Annual out-of-state tuition:** \$12,386.

**Room & board:** \$11,662. **Average book expense:** \$800. 86% first-year, 86% undergrads receive need-based scholarship or grant aid. 78% first-year, 84% undergrads receive need-based self-help aid. 48% of first-year need met, 45% of undergrad need met. 57% undergrads borrow to pay for school. **Average cumulative indebtedness:** \$21,974.

**Number of students in Engineering program:** 739

**Engineering majors:** engineering; bioengineering and biomedical; chemical; civil; computer; computer software; electrical; mechanics; science; mechanical; metallurgical; industrial

6.6% of all Bachelor's Degrees awarded in Engineering.

**Computer science:** 1% of all Bachelor's Degrees awarded in Computer and Information Sciences

# COLLEGE OF CHARLESTON

66 GEORGE STREET, CHARLESTON, SC 29424

PHONE: 843-953-5670 • E-MAIL: ADMISSIONS@COFC.EDU

WEBSITE: WWW.COFC.EDU

## Student Body

**Enrollment:** 10,069. **Student Body:** Asian 2%, African American 7%, Caucasian 81%, Hispanic 4%, International 1%, Native American <1%.

## Admissions

**Average high school GPA:** 3.86. 21% in top 10% of high school class, 55% in top 25% of high school class, 90% in top 50% of high school class. 76% from public high schools. ACT middle 50% range 23–27. SAT Math middle 50% range 510–610. SAT Critical Reading middle 50% range 520–620. Minimum web-based TOEFL 80.

## Costs and Financial Aid

71% first-year, 71% undergrads receive need-based scholarship or grant aid. 68% first-year, 75% undergrads receive need-based self-help aid. 47% first-year, 46% undergrads receive any aid. 58% of first-year need met, 57% of undergrad need met. 52% undergrads borrow to pay for school. **Average cumulative indebtedness:** \$22,589.

**Computer science:** 2% of all Bachelor's Degrees awarded in Computer and Information Sciences.

# THE COLLEGE OF NEW JERSEY

PO BOX 7718, EWING, NJ 08628-0718

PHONE: 609-771-2131 • E-MAIL: TCNJINFO@TCNJ.EDU

WEBSITE: WWW.TCNJ.EDU

## Student Body

**Enrollment:** 6,536. **Student Body:** Asian 10%, African American 5%, Caucasian 66%, Hispanic 12%, International 0%, Native American <1%.

## Admissions

49% in top 10% of high school class, 85% in top 25% of high school class, 99% in top 50% of high school class. 70% from public high schools. ACT middle 50% range 24–29. SAT Math middle 50% range 570–670. SAT Critical Reading middle 50% range 550–640. SAT Writing middle 50% range 550–660. Minimum paper TOEFL 550, minimum web-based TOEFL 90.

## Costs and Financial Aid

**Annual in-state tuition:** \$10,562. **Annual out-of-state tuition:** \$21,175.

**Room & board:** \$11,677. **Required fees:** \$4,462. **Average book expense:** \$1,200. 36% first-year, 36% undergrads receive need-based scholarship or grant aid. 39% first-year, 74% undergrads receive need-based self-help aid. 70% first-year, 62% undergrads receive any aid. 43% of first-year need met, 48% of undergrad need met. 60% undergrads borrow to pay for school. **Average cumulative indebtedness:** \$21,907.

**Number of students in Engineering program:** 625

**Engineering majors:** bioengineering and biomedical; civil; computer; electrical; science; mechanical

8.2% of all Bachelor's Degrees awarded in Engineering.

**Computer science:** 2% of all Bachelor's Degrees awarded in Computer and Information Sciences.

## COLORADO SCHOOL OF MINES

1600 MAPLE STREET, GOLDEN, CO 80401

PHONE: 303-273-3220 • E-MAIL: ADMIT@MINES.EDU

WEBSITE: WWW.MINES.EDU

### Student Body

**Enrollment:** 4,199. **Student Body:** Asian 5%, African American 1%, Caucasian 75%, Hispanic 8%, International 4%, Native American <1%.

### Admissions

**Average high school GPA:** 3.80. 66% in top 10% of high school class, 93% in top 25% of high school class, 100% in top 50% of high school class. 90% from public high schools. ACT middle 50% range 28–32. SAT Math middle 50% range 640–740. SAT Critical Reading middle 50% range 590–690. SAT Writing middle 50% range 560–670. Minimum paper TOEFL 550, minimum web-based TOEFL 79.

### Costs and Financial Aid

**Annual in-state tuition:** \$14,400. **Annual out-of-state tuition:** \$30,330. **Room & board:** \$10,103. **Required fees:** \$2,085. **Average book expense:** \$1,500. 52% first-year, 52% undergrads receive need-based scholarship or grant aid. 53% first-year, 91% undergrads receive need-based self-help aid. 85% first-year, 85% undergrads receive any aid. 61% of first-year need met, 56% of undergrad need met. 68% undergrads borrow to pay for school. **Average cumulative indebtedness:** \$17,699.

**Number of students in Engineering program:** 264

**Engineering majors:** engineering; chemical; civil; electrical; physics; environmental; materials; mechanical; metallurgical; mining and mineral; nuclear; petroleum; systems; polymer/plastics; geological/geophysical; bioengineering and biomedical

88% of all Bachelor's Degrees awarded in Engineering.

**Computer science:** 1% of all Bachelor's Degrees awarded in Computer and Information Sciences.

## COLORADO STATE UNIVERSITY

1062 CAMPUS DELIVERY, FORT COLLINS, CO 80523-1062

PHONE: 970-491-6909 • E-MAIL: ADMISSIONS@COLOSTATE.EDU

WEBSITE: WWW.COLOSTATE.EDU/

### Student Body

**Enrollment:** 22,506. **Student Body:** Asian 2%, African American 2%, Caucasian 74%, Hispanic 10%, International 4%, Native American 1%.

### Admissions

**Average high school GPA:** 3.61. 21% in top 10% of high school class, 50% in top 25% of high school class, 85% in top 50% of high school class. ACT middle 50% range 22–27. SAT Math middle 50% range 520–630. SAT Critical Reading middle 50% range 510–620. Minimum paper TOEFL 450, minimum web-based TOEFL 45.

### Costs and Financial Aid

**Annual in-state tuition:** \$7,868. **Annual out-of-state tuition:** \$24,048. **Room & board:** \$10,488. **Required fees:** \$2,029. **Average book expense:** \$1,140. 72% first-year, 72% undergrads receive need-based scholarship or grant aid. 65% first-year, 75% undergrads receive need-based self-help aid. 67% first-year, 73% undergrads receive any aid. 74% of first-year need met, 73% of undergrad need met. 56% undergrads borrow to pay for school. **Average cumulative indebtedness:** \$21,240.

**Number of students in Engineering program:** 2,285

**Engineering majors:** bioengineering and biomedical; chemical; civil; computer; electrical; physics; science; environmental

6.7% of all Bachelor's Degrees awarded in Engineering.

**Computer science:** 2% of all Bachelor's Degrees awarded in Computer and Information Sciences.

## COLORADO STATE UNIVERSITY—PUEBLO

ADMISSIONS, PUEBLO, CO 81001

PHONE: 719-549-2461 • E-MAIL: INFO@COLOSTATE-PUEBLO.EDU

WEBSITE: WWW.COLOSTATE-PUEBLO.EDU

### Student Body

**Enrollment:** 3,947. **Student Body:** Asian 3%, African American 6%, Caucasian 55%, Hispanic 25%, International 2%, Native American 2%.

### Admissions

**Average high school GPA:** 3.10. 2% in top 10% of high school class, 8% in top 25% of high school class, 36% in top 50% of high school class. 85% from public high schools. ACT middle 50% range 18–22. SAT Math middle 50% range 420–550. SAT Critical Reading middle 50% range 420–530. Minimum paper TOEFL 500.

### Costs and Financial Aid

**Annual in-state tuition:** \$3,442. **Annual out-of-state tuition:** \$13,543. **Room & board:** \$6,300. **Required fees:** \$996. **Average book expense:** \$1,698. 81% first-year, 81% undergrads receive need-based scholarship or grant aid. 80% first-year, 86% undergrads receive need-based self-help aid. 81% first-year, 86% undergrads receive any aid. 62% of first-year need met, 60% of undergrad need met. 54% undergrads borrow to pay for school. **Average cumulative indebtedness:** \$16,176.

**Number of students in Engineering program:** 29

**Engineering majors:** industrial

1% of all Bachelor's Degrees awarded in Engineering.

**Computer science:** 3% of all Bachelor's Degrees awarded in Computer and Information Sciences

## COLORADO TECHNICAL UNIVERSITY

4435 NORTH CHESTNUT STREET, COLORADO SPRINGS, CO 80907-3740

PHONE: 719-598-0200 • E-MAIL: COSADMISSIONS@COLORADOTECH.EDU

WEBSITE: HTTP://WWW.COLORADOTECH.EDU/

### Costs and Financial Aid

**Average book expense:** \$1,000.

25% of all Bachelor's Degrees awarded in Engineering.

**Computer science:** 3% of all Bachelor's Degrees awarded in Computer and Information Sciences.

## COLUMBIA UNIVERSITY

212 HAMILTON HALL MC 2807, NEW YORK, NY 10027

PHONE: 212-854-2522

WEBSITE: HTTP://UNDERGRAD.ADMISSIONS.COLUMBIA.EDU

### Student Body

**Enrollment:** 6,170. **Student Body:** Asian 22%, African American 12%, Caucasian 35%, Hispanic 12%, International 13%, Native American 2%.

### Admissions

57% from public high schools. ACT middle 50% range 31–34. SAT Math middle 50% range 700–790. SAT Critical Reading middle 50% range 690–780. SAT Writing middle 50% range 700–780. Minimum paper TOEFL 600.

### Costs and Financial Aid

**Annual tuition:** \$46,846. **Room & board:** \$11,978. **Required fees:** \$2,813. **Average book expense:** \$1,170. 95% first-year, 95% undergrads receive need-based scholarship or grant aid. 96% first-year, 85% undergrads receive need-based self-help aid. 55% first-year, 60% undergrads receive any aid. 100% of first-year need met, 100% of undergrad need met. **Average cumulative indebtedness:** \$15,269.

**Engineering majors:** engineering

21.7% of all Bachelor's Degrees awarded in Engineering.

**Computer science:** 4% of all Bachelor's Degrees awarded in Computer and Information Sciences.

## THE COOPER UNION FOR THE ADVANCEMENT OF SCIENCE AND ART

30 COOPER SQUARE, NEW YORK, NY 10003

PHONE: 212-353-4120 • E-MAIL: ADMISSIONS@COOPER.EDU

WEBSITE: COOPER.EDU

### Student Body

**Enrollment:** 855. **Student Body:** Asian 20%, African American 5%, Caucasian 33%, Hispanic 10%, International 14%, Native American 1%.

### Admissions

**Average high school GPA:** 3.50. 88% in top 10% of high school class, 90% in top 25% of high school class, 95% in top 50% of high school class. 65% from public high schools. ACT middle 50% range 30–34. SAT Math middle 50%

range 650–770. SAT Critical Reading middle 50% range 600–730. SAT Writing middle 50% range 610–710. Minimum paper TOEFL 600, minimum web-based TOEFL 100.

#### Costs and Financial Aid

**Annual tuition:** \$39,600. **Room & board:** \$15,220. **Required fees:** \$1,850. **Average book expense:** \$1,600. 100% first-year, 100% undergrads receive need-based scholarship or grant aid. 100% first-year, 60% undergrads receive need-based self-help aid. 100% first-year, 100% undergrads receive any aid. 91% of first-year need met, 91% of undergrad need met. 26% undergrads borrow to pay for school. **Average cumulative indebtedness:** \$18,813. **Number of students in Engineering program:** 447 **Engineering majors:** engineering; chemical; civil; electrical; mechanical 56% of all Bachelor's Degrees awarded in Engineering.

## CORNELL UNIVERSITY

410 THURSTON AVENUE, ITHACA, NY 14850

PHONE: 607-255-5241 • E-MAIL: ADMISSIONS@CORNELL.EDU

WEBSITE: WWW.CORNELL.EDU

#### Student Body

**Enrollment:** 14,366. **Student Body:** Asian 17%, African American 6%, Caucasian 42%, Hispanic 12%, International 10%, Native American <1%.

#### Admissions

87% in top 10% of high school class, 98% in top 25% of high school class, 99% in top 50% of high school class. ACT middle 50% range 30–34. SAT Math middle 50% range 680–770. SAT Critical Reading middle 50% range 650–740. Minimum paper TOEFL 600, minimum web-based TOEFL 100.

#### Costs and Financial Aid

98% first-year, 98% undergrads receive need-based scholarship or grant aid. 98% first-year, 92% undergrads receive need-based self-help aid. 60% first-year, 57% undergrads receive any aid. 100% of first-year need met, 100% of undergrad need met. 45% undergrads borrow to pay for school. **Average cumulative indebtedness:** \$14,415. **Engineering majors:** engineering; aerospace, aeronautical and astronautical/space; agricultural; chemical; civil; electrical; physics; environmental; materials; mechanical; nuclear; industrial; operations research 16.4% of all Bachelor's Degrees awarded in Engineering. **Computer science:** 5% of all Bachelor's Degrees awarded in Computer and Information Sciences.

## DANIEL WEBSTER COLLEGE

20 UNIVERSITY DRIVE, NASHUA, NH 03063-1300

PHONE: 603-577-6600 • E-MAIL: ADMISSIONS@DWC.EDU

WEBSITE: HTTP://WWW.DWC.EDU/

#### Student Body

**Enrollment:** 785. **Student Body:** Asian 1%, African American 4%, Hispanic 3%, Native American <1%.

#### Admissions

**Average high school GPA:** 3.06. 7% in top 10% of high school class, 21% in top 25% of high school class, 52% in top 50% of high school class. 83% from public high schools. ACT middle 50% range 19–24. SAT Math middle 50% range 480–610. SAT Critical Reading middle 50% range 470–570. Minimum paper TOEFL 520

#### Costs and Financial Aid

**Average book expense:** \$750. 93% first-year, 93% undergrads receive need-based scholarship or grant aid. 79% first-year, 81% undergrads receive need-based self-help aid. 73% of first-year need met, 74% of undergrad need met. 83% undergrads borrow to pay for school. **Engineering majors:** aerospace, aeronautical and astronautical/space; science **Computer science:** 7% of all Bachelor's Degrees awarded in Computer and Information Sciences.

## DARTMOUTH COLLEGE

6016 McNUTT HALL, HANOVER, NH 03755

PHONE: 603-646-2875 • E-MAIL: ADMISSIONS.REPLY@DARTMOUTH.EDU

WEBSITE: WWW.DARTMOUTH.EDU

#### Student Body

**Enrollment:** 4,098. **Student Body:** Asian 14%, African American 7%, Caucasian 48%, Hispanic 8%, International 8%, Native American 2%.

#### Admissions

90% in top 10% of high school class, 97% in top 25% of high school class, 100% in top 50% of high school class. 55% from public high schools. ACT middle 50% range 30–34. SAT Math middle 50% range 680–780. SAT Critical Reading middle 50% range 670–780. SAT Writing middle 50% range 680–790. Minimum paper TOEFL 600, minimum web-based TOEFL 250.

#### Costs and Financial Aid

**Annual tuition:** \$46,764. **Room & board:** \$13,829. **Required fees:** \$1,514. **Average book expense:** \$1,176. 96% first-year, 96% undergrads receive need-based scholarship or grant aid. 94% first-year, 94% undergrads receive need-based self-help aid. 58% first-year, 54% undergrads receive any aid. 100% of first-year need met, 100% of undergrad need met. 56% undergrads borrow to pay for school. **Average cumulative indebtedness:** \$14,279. **Engineering majors:** engineering; physics; science 6% of all Bachelor's Degrees awarded in Engineering. **Computer science:** 2% of all Bachelor's Degrees awarded in Computer and Information Sciences.

## DORDT COLLEGE

498 4TH AVENUE NORTHEAST, SIOUX CENTER, IA 51250

PHONE: 712-722-6080 • E-MAIL: ADMISSIONS@DORDT.EDU

WEBSITE: WWW.DORDT.EDU

#### Student Body

**Enrollment:** 1,331. **Student Body:** Asian 1%, African American 1%, Caucasian 76%, Hispanic 1%, International 7%, Native American <1%.

#### Admissions

**Average high school GPA:** 3.54. 21% in top 10% of high school class, 44% in top 25% of high school class, 73% in top 50% of high school class. 30% from public high schools. ACT middle 50% range 21–28. SAT Math middle 50% range 500–630. SAT Critical Reading middle 50% range 450–610. SAT Writing middle 50% range 470–590. Minimum paper TOEFL 550, minimum web-based TOEFL 80.

#### Costs and Financial Aid

**Annual tuition:** \$26,100. **Room & board:** \$7,620. **Required fees:** \$440. **Average book expense:** \$910. 100% first-year, 100% undergrads receive need-based scholarship or grant aid. 100% first-year, 100% undergrads receive need-based self-help aid. 98% first-year, 98% undergrads receive any aid. 87% of first-year need met, 78% of undergrad need met. 85% undergrads borrow to pay for school. **Average cumulative indebtedness:** \$24,299. **Engineering majors:** engineering; agricultural; biomedical/medical; bioengineering and biomedical; chemical; civil; computer; electrical; mechanical 4.7% of all Bachelor's Degrees awarded in Engineering. **Computer science:** 1% of all Bachelor's Degrees awarded in Computer and Information Sciences.

## DREXEL UNIVERSITY

3141 CHESTNUT STREET, PHILADELPHIA, PA 19104

PHONE: 215-895-2400 • E-MAIL: ENROLL@DREXEL.EDU

WEBSITE: WWW.DREXEL.EDU

#### Student Body

**Enrollment:** 16,681. **Student Body:** Asian 13%, African American 7%, Caucasian 56%, Hispanic 6%, International 13%, Native American <1%.

#### Admissions

**Average high school GPA:** 3.47. 29% in top 10% of high school class, 61% in top 25% of high school class, 90% in top 50% of high school class. ACT middle 50% range 24–29. SAT Math middle 50% range 560–670. SAT Critical Reading middle 50% range 530–630. SAT Writing middle 50% range 520–630. Minimum paper TOEFL 550.

### Costs and Financial Aid

**Annual tuition:** \$44,646. **Room & board:** \$14,367. **Required fees:** \$2,405. **Average book expense:** \$2,053. 100% first-year, 100% undergrads receive need-based scholarship or grant aid. 94% first-year, 86% undergrads receive need-based self-help aid. 62% of first-year need met, 56% of undergrad need met.

**Number of students in Engineering program:** 4,252

**Engineering majors:** engineering; architectural; bioengineering and biomedical; chemical; civil; computer; computer software; electrical; environmental; materials; mechanical

18.3% of all Bachelor's Degrees awarded in Engineering.

**Computer science:** 6% of all Bachelor's Degrees awarded in Computer and Information Sciences.

## DUKE UNIVERSITY

2138 CAMPUS DRIVE, DURHAM, NC 27708-0586

PHONE: 919-684-3214 • E-MAIL: UNDERGRAD-ADMISSIONS@DUKE.EDU

WEBSITE: WWW.DUKE.EDU

### Student Body

**Enrollment:** 6,493. **Student Body:** Asian 21%, African American 10%, Caucasian 46%, Hispanic 6%, International 8%, Native American 1%.

### Admissions

90% in top 10% of high school class, 98% in top 25% of high school class, 100% in top 50% of high school class. 65% from public high schools. ACT middle 50% range 30–34. SAT Math middle 50% range 690–790. SAT Critical Reading middle 50% range 670–760. SAT Writing middle 50% range 680–780.

### Costs and Financial Aid

**Annual tuition:** \$44,020. **Room & board:** \$12,902. **Required fees:** \$1,356. **Average book expense:** \$1,300. 95% first-year, 95% undergrads receive need-based scholarship or grant aid. 95% first-year, 89% undergrads receive need-based self-help aid. 100% of first-year need met, 100% of undergrad need met. 39% undergrads borrow to pay for school. **Average cumulative indebtedness:** \$13,865.

**Engineering majors:** bioengineering and biomedical; civil; electrical; mechanics

15% of all Bachelor's Degrees awarded in Engineering.

**Computer science:** 1% of all Bachelor's Degrees awarded in Computer and Information Sciences.

## EAST CAROLINA UNIVERSITY

OFFICE OF UNDERGRADUATE ADMISSIONS, GREENVILLE, NC 27858-4353

PHONE: 252-328-6640 • E-MAIL: ADMIS@ECU.EDU

WEBSITE: WWW.ECU.EDU

### Student Body

**Enrollment:** 21,207. **Student Body:** Asian 3%, African American 16%, Caucasian 69%, Hispanic 6%, International 0%, Native American 1%.

### Admissions

**Average high school GPA:** 3.67. 13% in top 10% of high school class, 40% in top 25% of high school class, 78% in top 50% of high school class. ACT middle 50% range 19–23. SAT Math middle 50% range 480–560. SAT Critical Reading middle 50% range 470–550. SAT Writing middle 50% range 440–530. Minimum paper TOEFL 500, minimum web-based TOEFL 80.

### Costs and Financial Aid

**Annual in-state tuition:** \$3,959. **Annual out-of-state tuition:** \$19,156.

**Room & board:** \$8,833. **Required fees:** \$2,184. **Average book expense:** \$1,234. 71% first-year, 71% undergrads receive need-based scholarship or grant aid. 74% first-year, 84% undergrads receive need-based self-help aid. 61% first-year, 61% undergrads receive any aid. 60% of first-year need met, 64% of undergrad need met. 67% undergrads borrow to pay for school. **Average cumulative indebtedness:** \$29,898.

**Number of students in Engineering program:** 639

**Engineering majors:** engineering

1.5% of all Bachelor's Degrees awarded in Engineering.

**Computer science:** 2% of all Bachelor's Degrees awarded in Computer and Information Sciences.

## EASTERN KENTUCKY UNIVERSITY

SSB CPO 54, RICHMOND, KY 40475

PHONE: 859-622-2106 • E-MAIL: ADMISSIONS@EKU.EDU

WEBSITE: WWW.EKU.EDU

### Student Body

**Enrollment:** 12,710. **Student Body:** Asian 1%, African American 5%, Caucasian 99%, Hispanic 1%, International 1%, Native American <1%.

### Admissions

ACT middle 50% range 18–24. SAT Math middle 50% range 440–450. SAT Critical Reading middle 50% range 440–450. SAT Writing middle 50% range 420–430. Minimum paper TOEFL 500.

### Costs and Financial Aid

**Annual in-state tuition:** \$6,080. **Annual out-of-state tuition:** \$16,612.

**Room & board:** \$5,288. **Required fees:** \$460. **Average book expense:** \$800. 60% first-year, 60% undergrads receive need-based scholarship or grant aid. 58% first-year, 81% undergrads receive need-based self-help aid. 94% first-year, 86% undergrads receive any aid. 87% of first-year need met, 85% of undergrad need met. 69% undergrads borrow to pay for school. **Average cumulative indebtedness:** \$14,516.

## EASTERN MICHIGAN UNIVERSITY

EASTERN MICHIGAN UNIVERSITY, YPSILANTI, MI 48197

PHONE: 734-487-3060 • E-MAIL: ADMISSIONS@EMICH.EDU

WEBSITE: WWW.EMICH.EDU

### Student Body

**Enrollment:** 17,714. **Student Body:** Asian 2%, African American 20%, Caucasian 66%, Hispanic 4%, International 2%, Native American <1%.

### Admissions

**Average high school GPA:** 3.27. 13% in top 10% of high school class, 39% in top 25% of high school class, 76% in top 50% of high school class. 85% from public high schools. ACT middle 50% range 19–25. SAT Math middle 50% range 450–560. SAT Critical Reading middle 50% range 420–560. SAT Writing middle 50% range 420–540. Minimum paper TOEFL 500.

### Costs and Financial Aid

**Annual in-state tuition:** \$8,244. **Annual out-of-state tuition:** \$24,287.

**Room & board:** \$8,941. **Required fees:** \$1,419. **Average book expense:** \$1,000. 71% first-year, 71% undergrads receive need-based scholarship or grant aid. 74% first-year, 80% undergrads receive need-based self-help aid. 98% first-year, 45% of first-year need met, 48% of undergrad need met. 69% undergrads borrow to pay for school. **Average cumulative indebtedness:** \$24,402.

**Number of students in Engineering program:** 653

**Engineering majors:** physics

**Computer science:** 1% of all Bachelor's Degrees awarded in Computer and Information Sciences.

## EASTERN WASHINGTON UNIVERSITY

304 SUTTON HALL, CHENEY, WA 99004

PHONE: 509-359-6692 • E-MAIL: ADMISSIONS@EWU.EDU

WEBSITE: WWW.EWU.EDU

### Student Body

**Enrollment:** 12,402. **Student Body:** Asian 3%, African American 3%, Caucasian 64%, Hispanic 14%, International 3%, Native American 1%.

### Admissions

**Average high school GPA:** 3.23. 95% from public high schools. ACT middle 50% range 17–23. SAT Math middle 50% range 430–540. SAT Critical Reading middle 50% range 420–530. SAT Writing middle 50% range 400–510. Minimum paper TOEFL 525, minimum web-based TOEFL 71.

### Costs and Financial Aid

77% first-year, 77% undergrads receive need-based scholarship or grant aid. 74% first-year, 78% undergrads receive need-based self-help aid. 69% first-year, 59% undergrads receive any aid. 60% of undergrad need met. 58% undergrads borrow to pay for school. **Average cumulative indebtedness:** \$24,673.

**Number of students in Engineering program:** 511

**Engineering majors:** engineering; mechanical

2.9% of all Bachelor's Degrees awarded in Engineering.

**Computer science:** 2% of all Bachelor's Degrees awarded in Computer and Information Sciences.



## EAST TENNESSEE STATE UNIVERSITY

ETSU BOX 70731, JOHNSON CITY, TN 37614  
PHONE: 423-439-4213 • E-MAIL: GO2ETSU@ETSU.EDU  
WEBSITE: WWW.ETSU.EDU

### Student Body

**Enrollment:** 11,162. **Student Body:** Asian 1%, African American 6%, Caucasian 84%, Hispanic 2%, International 3%, Native American <1%.

### Admissions

**Average high school GPA:** 3.36. 19% in top 10% of high school class, 44% in top 25% of high school class, 76% in top 50% of high school class. 90% from public high schools. ACT middle 50% range 19–25. SAT Math middle 50% range 440–620. SAT Critical Reading middle 50% range 410–600. Minimum paper TOEFL 500.

**Computer science:** 3% of all Bachelor's Degrees awarded in Computer and Information Sciences.

## EDINBORO UNIVERSITY OF PENNSYLVANIA

200 EAST NORMAL STREET, EDINBORO, PA 16444  
PHONE: 814-732-2761 • E-MAIL: EUP\_ADMISSIONS@EDINBORO.EDU  
WEBSITE: HTTP://WWW.EDINBORO.EDU/

### Student Body

**Enrollment:** 6,301. **Student Body:** Asian 1%, African American 9%, Caucasian 87%, Hispanic 2%, International 1%, Native American <1%.

### Admissions

**Average high school GPA:** 3.15. 5% in top 10% of high school class, 20% in top 25% of high school class, 51% in top 50% of high school class. ACT middle 50% range 17–23. SAT Math middle 50% range 410–520. SAT Critical Reading middle 50% range 415–520. Minimum paper TOEFL 500, minimum web-based TOEFL 61.

### Costs and Financial Aid

**Annual in-state tuition:** \$5,554. **Annual out-of-state tuition:** \$8,332. **Room & board:** \$7,130. **Required fees:** \$1,762. **Average book expense:** \$900. 90% first-year, 90% undergrads receive need-based scholarship or grant aid. 92% first-year, 86% undergrads receive need-based self-help aid. 91% first-year, 88% undergrads receive any aid. 59% of first-year need met, 63% of undergrad need met. 46% undergrads borrow to pay for school. **Average cumulative indebtedness:** \$16,297.

**Number of students in Engineering program:** 17.

**Computer science:** 1% of all Bachelor's Degrees awarded in Computer and Information Sciences.

## ELIZABETHTOWN COLLEGE

LEFFLER HOUSE, ELIZABETHTOWN, PA 17022  
PHONE: 717-361-1400 • E-MAIL: ADMISSIONS@ETOWN.EDU  
WEBSITE: WWW.ETOWN.EDU

### Student Body

**Enrollment:** 1,754. **Student Body:** Asian 2%, African American 3%, Caucasian 86%, Hispanic 4%, International 4%, Native American <1%.

### Admissions

31% in top 10% of high school class, 64% in top 25% of high school class, 92% in top 50% of high school class. 80% from public high schools. ACT middle 50% range 22–28. SAT Math middle 50% range 510–620. SAT Critical Reading middle 50% range 510–620. SAT Writing middle 50% range 480–600. Minimum paper TOEFL 525.

### Costs and Financial Aid

**Annual tuition:** \$39,920. **Room & board:** \$9,820. **Required fees:** \$0.

**Average book expense:** \$1,100. 100% first-year, 100% undergrads receive need-based scholarship or grant aid. 100% first-year, 82% undergrads receive need-based self-help aid. 96% first-year, 94% undergrads receive any aid. 81% of first-year need met, 79% of undergrad need met. 75% undergrads borrow to pay for school. **Average cumulative indebtedness:** \$26,906.

**Engineering majors:** engineering

4.3% of all Bachelor's Degrees awarded in Engineering.

**Computer science:** 3% of all Bachelor's Degrees awarded in Computer and Information Sciences.

## EMBRY RIDDLE AERONAUTICAL UNIVERSITY (FL)

600 SOUTH CLYDE MORRIS BOULEVARD, DAYTONA BEACH, FL 32114-3900  
PHONE: 386-226-6100 • E-MAIL: DBADMIT@ERAU.EDU  
WEBSITE: WWW.EMBRYRIDDLE.EDU

### Student Body

**Enrollment:** 4,954. **Student Body:** Asian 4%, African American 6%, Caucasian 53%, Hispanic 6%, International 15%, Native American <1%.

### Admissions

Minimum paper TOEFL 550, minimum web-based TOEFL 79.

### Costs and Financial Aid

**Annual tuition:** \$31,944. **Room & board:** \$10,382. **Required fees:** \$1,274.

**Average book expense:** \$1,400. 99% first-year, 99% undergrads receive need-based scholarship or grant aid. 95% first-year, 67% undergrads receive need-based self-help aid.

**Number of students in Engineering program:** 1,935

**Engineering majors:** engineering; aerospace, aeronautical and astronautical/ space; civil; computer; computer software; electrical; physics; mechanical  
34% of all Bachelor's Degrees awarded in Engineering.

## EMBRY RIDDLE AERONAUTICAL UNIVERSITY—PRESCOTT

3700 WILLOW CREEK, PRESCOTT, AZ 86301  
PHONE: 928-777-6600 • E-MAIL: PRADMIT@ERAU.EDU  
WEBSITE: WWW.EMBRYRIDDLE.EDU

### Student Body

**Enrollment:** 1,971. **Student Body:** Asian 6%, African American 2%, Caucasian 58%, Hispanic 6%, International 10%, Native American <1%.

### Admissions

Minimum paper TOEFL 550, minimum web-based TOEFL 79.

### Costs and Financial Aid

**Annual tuition:** \$31,944. **Room & board:** \$9,990. **Required fees:** \$1,200.

**Average book expense:** \$1,400.

**Number of students in Engineering program:** 876

**Engineering majors:** engineering; aerospace, aeronautical and astronautical/ space; computer; computer software; electrical; mechanical  
29% of all Bachelor's Degrees awarded in Engineering.

## FAIRFIELD UNIVERSITY

1073 NORTH BENSON ROAD, FAIRFIELD, CT 06824  
PHONE: 203-254-4100 • E-MAIL: ADMIS@FAIRFIELD.EDU  
WEBSITE: WWW.FAIRFIELD.EDU

### Student Body

**Enrollment:** 3,841. **Student Body:** Asian 2%, African American 2%, Caucasian 75%, Hispanic 7%, International 2%, Native American <1%.

### Admissions

**Average high school GPA:** 3.45. 57% from public high schools. ACT middle 50% range 24–28. SAT Math middle 50% range 550–640. SAT Critical Reading middle 50% range 540–620. SAT Writing middle 50% range 560–640. Minimum paper TOEFL 550, minimum web-based TOEFL 80.

### Costs and Financial Aid

**Annual tuition:** \$43,170. **Room & board:** \$13,190. **Required fees:** \$600.

**Average book expense:** \$1,150. 86% first-year, 86% undergrads receive need-based scholarship or grant aid. 88% first-year, 82% undergrads receive need-based self-help aid. 92% first-year, 80% undergrads receive any aid. 87% of first-year need met, 87% of undergrad need met. 65% undergrads borrow to pay for school. **Average cumulative indebtedness:** \$24,524.

**Number of students in Engineering program:** 191

**Engineering majors:** bioengineering and biomedical; computer; computer software; electrical; mechanical

3.2% of all Bachelor's Degrees awarded in Engineering.

## FAIRLEIGH DICKINSON UNIVERSITY, METROPOLITAN CAMPUS

1000 RIVER ROAD, TEANECK, NJ 07666-1966

PHONE: 201-692-2553 • E-MAIL: GLOBALEDUCATION@FDU.EDU

WEBSITE: WWW.FDU.EDU

### Student Body

**Enrollment:** 4,101. **Student Body:** Asian 5%, African American 14%, Caucasian 29%, Hispanic 34%, International 7%, Native American <1%.

### Admissions

**Average high school GPA:** 3.20. 18% in top 10% of high school class, 45% in top 25% of high school class, 83% in top 50% of high school class. SAT Math middle 50% range 450–550. SAT Critical Reading middle 50% range 440–530. SAT Writing middle 50% range 430–540. Minimum paper TOEFL 550, minimum web-based TOEFL 79.

### Costs and Financial Aid

**Annual tuition:** \$33,920. **Room & board:** \$12,742. **Required fees:** \$958.

**Number of students in Engineering program:** 84

**Engineering majors:** electrical

0.6% of all Bachelor's Degrees awarded in Engineering.

**Computer science:**

1% of all Bachelor's Degrees awarded in Computer and Information Sciences.

## FAIRMONT STATE UNIVERSITY, INCLUDING PIERPONT COMMUNITY & TECHNICAL COLLEGE

OFFICE OF ADMISSIONS, FAIRMONT STATE, FAIRMONT, WV 26554

PHONE: 304-367-4892 • E-MAIL: ADMIT@FAIRMONTSTATE.EDU

WEBSITE: HTTP://WWW.FAIRMONTSTATE.EDU

### Student Body

**Enrollment:** 6,227. **Student Body:** Asian 0%, African American 4%, Caucasian 91%, Hispanic 1%, International 1%, Native American <1%.

### Admissions

**Average high school GPA:** 3.00. 7% in top 10% of high school class, 24% in top 25% of high school class, 57% in top 50% of high school class. ACT middle 50% range 17–22. SAT Math middle 50% range 390–500. SAT Critical Reading middle 50% range 400–508. Minimum paper TOEFL 500.

### Costs and Financial Aid

**Annual in-state tuition:** \$4,656. **Annual out-of-state tuition:** \$9,956. **Room & board:** \$5,990. **Average book expense:** \$900.

85% first-year, 80% undergrads receive any aid.

**Engineering majors:** civil

**Computer science:** 4% of all Bachelor's Degrees awarded in Computer and Information Sciences.

## FARMINGDALE STATE COLLEGE

ADMISSIONS OFFICE, FARMINGDALE, NY 11735

PHONE: 631-420-2200 • E-MAIL: ADMISSIONS@FARMINGDALE.EDU

WEBSITE: WWW.FARMINGDALE.EDU

### Student Body

**Enrollment:** 7,768. **Student Body:** Asian 7%, African American 10%, Caucasian 60%, Hispanic 16%, International 3%, Native American <1%.

### Admissions

**Average high school GPA:** 3.20. 4% in top 10% of high school class, 24% in top 25% of high school class, 65% in top 50% of high school class. 92% from public high schools. ACT middle 50% range 19–23. SAT Math middle 50% range 460–540. SAT Critical Reading middle 50% range 440–520.

### Costs and Financial Aid

**Annual in-state tuition:** \$6,170. **Annual out-of-state tuition:** \$15,820.

**Room & board:** \$12,190. **Required fees:** \$1,313. **Average book expense:** \$1,200.

90% first-year, 90% undergrads receive need-based scholarship or grant aid.

87% first-year, 89% undergrads receive need-based self-help aid. 63% of first-year need met, 58% of undergrad need met.

**Computer science:** 6% of all Bachelor's Degrees awarded in Computer and Information Sciences

## FAYETTEVILLE STATE UNIVERSITY

NEWBOLD STATION, FAYETTEVILLE, NC 28301

PHONE: 910-672-1371 • E-MAIL: ADMISSIONS@UNCFSU.EDU

WEBSITE: WWW.UNCFSU.EDU

### Student Body

**Enrollment:** 3,660. **Student Body:** Asian 1%, African American 80%, Caucasian 14%, Hispanic 4%, International 0%, Native American 1%.

### Admissions

SAT Math middle 50% range 360–470. SAT Critical Reading middle 50% range 380–470.

### Costs and Financial Aid

**Annual in-state tuition:** \$1,258. **Annual out-of-state tuition:** \$10,173.

**Room & board:** \$3,820. **Required fees:** \$437. **Average book expense:** \$160.

## FERRIS STATE UNIVERSITY

1201 SOUTH STATE STREET, BIG RAPIDS, MI 49307

PHONE: 231-591-2100 • E-MAIL: ADMISSIONS@FERRIS.EDU

WEBSITE: WWW.FERRIS.EDU

### Student Body

**Enrollment:** 13,261. **Student Body:** Asian 1%, African American 7%, Caucasian 76%, Hispanic 3%, International 1%, Native American 1%.

### Admissions

**Average high school GPA:** 3.22. 90% from public high schools. ACT middle 50% range 19–24. Minimum paper TOEFL 500, minimum web-based TOEFL 61.

### Costs and Financial Aid

**Annual in-state tuition:** \$10,710. **Annual out-of-state tuition:** \$16,080.

**Room & board:** \$8,744. **Average book expense:** \$1,050.

70% first-year, 70% undergrads receive need-based scholarship or grant aid. 69% first-year, 86% undergrads receive need-based self-help aid. 86% first-year, 81% undergrads receive any aid. 67% of first-year need met, 61% of undergrad need met. 81% undergrads borrow to pay for school. **Average cumulative indebtedness:** \$27,466.

**Number of students in Engineering program:** 64

**Engineering majors:** engineering; systems; construction; surveying

1% of all Bachelor's Degrees awarded in Engineering.

**Computer science:** 3% of all Bachelor's Degrees awarded in Computer and Information Sciences.

## FITCHBURG STATE COLLEGE

160 PEARL STREET, FITCHBURG, MA 01420-2697

PHONE: 978-665-3144 • E-MAIL: ADMISSIONS@FITCHBURGSTATE.EDU

WEBSITE: WWW.FITCHBURGSTATE.EDU

### Student Body

**Enrollment:** 3,958. **Student Body:** Asian 2%, African American 4%, Caucasian 81%, Hispanic 6%, International 0%, Native American <1%.

### Admissions

**Average high school GPA:** 3.10. 90% from public high schools. ACT middle 50% range 19–23. SAT Math middle 50% range 460–560. SAT Critical Reading middle 50% range 450–560. SAT Writing middle 50% range 450–540. Minimum paper TOEFL 550

### Costs and Financial Aid

**Annual in-state tuition:** \$970. **Annual out-of-state tuition:** \$7,050. **Room & board:** \$8,256. **Required fees:** \$7,330. **Average book expense:** \$800.

**Computer science:** 2% of all Bachelor's Degrees awarded in Computer and Information Sciences.

# FLORIDA AGRICULTURE AND MECHANICAL UNIVERSITY

ROOM 204, TALLAHASSEE, FL 32307-3200

PHONE: 850-599-3796 • E-MAIL: UGRDADMISSIONS@FAMU.EDU

WEBSITE: WWW.FAMU.EDU

## Student Body

**Enrollment:** 7,995. **Student Body:** Asian 1%, African American 94%, Caucasian 3%, Hispanic 1%, International 1%, Native American <1%.

## Admissions

**Average high school GPA:** 3.29. 13% in top 10% of high school class, 36% in top 25% of high school class, 78% in top 50% of high school class. 87% from public high schools. ACT middle 50% range 18–22. SAT Math middle 50% range 420–510. SAT Critical Reading middle 50% range 430–523. SAT Writing middle 50% range 418–510. Minimum paper TOEFL 500, minimum web-based TOEFL 61.

## Costs and Financial Aid

**Annual in-state tuition:** \$5,644. **Annual out-of-state tuition:** \$17,586. **Room & board:** \$9,576. **Required fees:** \$140. **Average book expense:** \$1,138. 99% first-year, 99% undergrads receive need-based scholarship or grant aid. 84% first-year, 78% undergrads receive need-based self-help aid. 95% first-year, 86% undergrads receive any aid. 73% of first-year need met, 72% of undergrad need met. 87% undergrads borrow to pay for school. **Average cumulative indebtedness:** \$30,427. **Number of students in Engineering program:** 337. **Engineering majors:** agricultural; chemical; civil; computer; electrical; mechanical; industrial. 2.2% of all Bachelor's Degrees awarded in Engineering. **Computer science:** 3% of all Bachelor's Degrees awarded in Computer and Information Sciences.

# FLORIDA ATLANTIC UNIVERSITY

777 GLADES ROAD, BOCA RATON, FL 33431-0991

PHONE: 561-297-3040 • E-MAIL: ADMISSIONS@FAU.EDU

WEBSITE: WWW.FAU.EDU

## Student Body

**Enrollment:** 24,228. **Student Body:** Asian 4%, African American 20%, Caucasian 45%, Hispanic 25%, International 2%, Native American <1%.

## Admissions

**Average high school GPA:** 3.50. 11% in top 10% of high school class, 35% in top 25% of high school class, 78% in top 50% of high school class. ACT middle 50% range 21–25. SAT Math middle 50% range 490–580. SAT Critical Reading middle 50% range 480–570. SAT Writing middle 50% range 480–560. Minimum paper TOEFL 550, minimum web-based TOEFL 80.

## Costs and Financial Aid

**Annual in-state tuition:** \$5,986. **Annual out-of-state tuition:** \$21,543. **Room & board:** \$11,353. **Average book expense:** \$1,203. 91% first-year, 91% undergrads receive need-based scholarship or grant aid. 86% first-year, 73% undergrads receive need-based self-help aid. 65% of first-year need met, 66% of undergrad need met. 46% undergrads borrow to pay for school. **Average cumulative indebtedness:** \$17,666. **Number of students in Engineering program:** 1,237. **Engineering majors:** bioengineering and biomedical; computer; ocean; geological/geophysical. 3.1% of all Bachelor's Degrees awarded in Engineering. **Computer science:** 1% of all Bachelor's Degrees awarded in Computer and Information Sciences.

# FLORIDA GULF COAST UNIVERSITY

10501 FGCU BLVD. SOUTH, FORT MYERS, FL 33965-6565

PHONE: 239-590-7878 • E-MAIL: ADMISSIONS@FGCU.EDU

## Student Body

**Enrollment:** 12,773. **Student Body:** Asian 2%, African American 7%, Caucasian 67%, Hispanic 19%, International 2%, Native American <1%.

## Admissions

**Average high school GPA:** 3.34. 11% in top 10% of high school class, 36% in top 25% of high school class, 77% in top 50% of high school class. ACT

middle 50% range 20–24. SAT Math middle 50% range 470–550. SAT Critical Reading middle 50% range 470–550. SAT Writing middle 50% range 450–540. Minimum paper TOEFL 550, minimum web-based TOEFL 79.

## Costs and Financial Aid

**Average book expense:** \$1,200. 62% first-year, 62% undergrads receive need-based scholarship or grant aid. 64% first-year, 66% undergrads receive need-based self-help aid. 88% first-year, 35% undergrads receive any aid. 54% of first-year need met, 58% of undergrad need met. 47% undergrads borrow to pay for school. **Average cumulative indebtedness:** \$17,947. **Number of students in Engineering program:** 179. 4% of all Bachelor's Degrees awarded in Engineering. **Computer science:** 1% of all Bachelor's Degrees awarded in Computer and Information Sciences.

# FLORIDA INSTITUTE OF TECHNOLOGY

150 WEST UNIVERSITY BOULEVARD, MELBOURNE, FL 32901-6975

PHONE: 321-674-8030 • E-MAIL: ADMISSION@FIT.EDU

WEBSITE: HTTP://WWW.FIT.EDU

## Student Body

**Enrollment:** 3,348. **Student Body:** Asian 3%, African American 6%, Caucasian 40%, Hispanic 7%, International 33%, Native American <1%.

## Admissions

**Average high school GPA:** 3.62. 31% in top 10% of high school class, 32% in top 25% of high school class, 24% in top 50% of high school class. 41% from public high schools. ACT middle 50% range 23–30. SAT Math middle 50% range 530–660. SAT Critical Reading middle 50% range 510–610. Minimum paper TOEFL 550, minimum web-based TOEFL 80.

## Costs and Financial Aid

100% first-year, 100% undergrads receive need-based scholarship or grant aid. 100% first-year, 72% undergrads receive need-based self-help aid. 96% first-year, 83% undergrads receive any aid. 83% of first-year need met, 82% of undergrad need met. 60% undergrads borrow to pay for school. **Average cumulative indebtedness:** \$26,017. **Number of students in Engineering program:** 1,700. **Engineering majors:** aerospace, aeronautical and astronautical/space; bioengineering and biomedical; chemical; civil; computer; computer software; electrical; mechanical; ocean. 41% of all Bachelor's Degrees awarded in Engineering. **Computer science:** 4% of all Bachelor's Degrees awarded in Computer and Information Sciences.

# FLORIDA INTERNATIONAL UNIVERSITY

MODESTO MAIDIQUE CAMPUS, MIAMI, FL 33199

PHONE: 305-348-2363 • E-MAIL: ADMISS@FIU.EDU

WEBSITE: WWW.FIU.EDU

## Student Body

**Enrollment:** 39,106. **Student Body:** Asian 3%, African American 12%, Caucasian 10%, Hispanic 67%, International 5%, Native American <1%.

## Admissions

21% in top 10% of high school class, 49% in top 25% of high school class, 86% in top 50% of high school class. ACT middle 50% range 21–26. SAT Math middle 50% range 510–600. SAT Critical Reading middle 50% range 510–600. SAT Writing middle 50% range 500–590. Minimum paper TOEFL 500.

## Costs and Financial Aid

65% first-year, 65% undergrads receive need-based scholarship or grant aid. 75% first-year, 51% undergrads receive need-based self-help aid. 28% of first-year need met, 20% of undergrad need met. 49% undergrads borrow to pay for school. **Average cumulative indebtedness:** \$17,234. **Number of students in Engineering program:** 2,515. **Engineering majors:** bioengineering and biomedical; civil; computer; electrical; environmental; materials; mechanical; industrial. 5% of all Bachelor's Degrees awarded in Engineering. **Computer science:** 4% of all Bachelor's Degrees awarded in Computer and Information Sciences.

# FLORIDA STATE UNIVERSITY

PO Box 3062400, TALLAHASSEE, FL 32306-2400

PHONE: 850-644-6200 • E-MAIL: ADMISSIONS@ADMIN.FSU.EDU

WEBSITE: WWW.FSU.EDU

## Student Body

**Enrollment:** 32,086. **Student Body:** Asian 3%, African American 8%, Caucasian 67%, Hispanic 17%, International 1%, Native American <1%.

## Admissions

**Average high school GPA:** 3.88. 42% in top 10% of high school class, 77% in top 25% of high school class, 97% in top 50% of high school class. ACT middle 50% range 25–29. SAT Math middle 50% range 550–640. SAT Critical Reading middle 50% range 560–640. SAT Writing middle 50% range 560–640. Minimum paper TOEFL 550, minimum web-based TOEFL 80.

## Costs and Financial Aid

**Annual in-state tuition:** \$4,640. **Annual out-of-state tuition:** \$19,806. **Room & board:** \$9,912. **Required fees:** \$1,867. **Average book expense:** \$1,000.

98% first-year, 98% undergrads receive need-based scholarship or grant aid. 92% first-year, 72% undergrads receive need-based self-help aid. 96% first-year, 87% undergrads receive any aid. 52% of first-year need met, 49% of undergrad need met. 44% undergrads borrow to pay for school. **Average cumulative indebtedness:** \$22,086.

**Number of students in Engineering program:** 1,937

**Engineering majors:** chemical; civil; computer; electrical; mechanical; industrial

3.2% of all Bachelor's Degrees awarded in Engineering.

**Computer science:** 3% of all Bachelor's Degrees awarded in Computer and Information Sciences.

# FORT LEWIS COLLEGE

1000 RIM DRIVE, DURANGO, CO 81301

PHONE: 970-247-7184 • E-MAIL: ADMISSION@FORTLEWIS.EDU

WEBSITE: WWW.FORTLEWIS.EDU

## Student Body

**Enrollment:** 3,615. **Student Body:** Asian 1%, African American 1%, Caucasian 55%, Hispanic 10%, International 1%, Native American 24%.

## Admissions

**Average high school GPA:** 3.21. 11% in top 10% of high school class, 31% in top 25% of high school class, 69% in top 50% of high school class. 99% from public high schools. ACT middle 50% range 19–24. SAT Math middle 50% range 465–565. SAT Critical Reading middle 50% range 460–632. SAT Writing middle 50% range 423–520. Minimum paper TOEFL 500, minimum web-based TOEFL 61.

## Costs and Financial Aid

**Annual in-state tuition:** \$5,544. **Annual out-of-state tuition:** \$16,072. **Room & board:** \$8,850. **Required fees:** \$1,708. **Average book expense:** \$1,208.

89% first-year, 89% undergrads receive need-based scholarship or grant aid. 86% first-year, 73% undergrads receive need-based self-help aid. 91% first-year, 83% undergrads receive any aid. 92% of first-year need met, 92% of undergrad need met. 62% undergrads borrow to pay for school. **Average cumulative indebtedness:** \$18,944.

**Number of students in Engineering program:** 226

**Engineering majors:** engineering  
2% of all Bachelor's Degrees awarded in Engineering.

**Computer science:** 1% of all Bachelor's Degrees awarded in Computer and Information Sciences.

# FRANKLIN W. OLIN COLLEGE OF ENGINEERING

OLIN WAY, NEEDHAM, MA 02492-1245

PHONE: 781-292-2222 • E-MAIL: INFO@OLIN.EDU

WEBSITE: WWW.OLIN.EDU

## Student Body

**Enrollment:** 334. **Student Body:** Asian 15%, African American 1%, Caucasian 56%, Hispanic 4%, International 7%, Native American <1%.

## Admissions

**Average high school GPA:** 4.00. ACT middle 50% range 32–34. SAT Math middle 50% range 720–790. SAT Critical Reading middle 50% range 690–760. SAT Writing middle 50% range 685–760.

## Costs and Financial Aid

**Annual tuition:** \$45,000. **Room & board:** \$15,600. **Required fees:** \$3,181. **Average book expense:** \$300.

100% first-year, 100% undergrads receive need-based scholarship or grant aid. 100% first-year, 85% undergrads receive need-based self-help aid. 100% first-year, 100% undergrads receive any aid. 100% of first-year need met, 99% of undergrad need met. 44% undergrads borrow to pay for school. **Average cumulative indebtedness:** \$18,566.

**Number of students in Engineering program:** 334

**Engineering majors:** engineering; electrical; mechanical

100% of all Bachelor's Degrees awarded in Engineering.

**Computer science:** 1% of all Bachelor's Degrees awarded in Computer and Information Sciences.

# GANNON UNIVERSITY

109 UNIVERSITY SQUARE, ERIE, PA 16541

PHONE: 814-871-7240 • E-MAIL: ADMISSIONS@GANNON.EDU

WEBSITE: WWW.GANNON.EDU

## Student Body

**Enrollment:** 2,763. **Student Body:** Asian 2%, African American 5%, Caucasian 79%, Hispanic 3%, International 8%, Native American <1%.

## Admissions

**Average high school GPA:** 3.52. 17% in top 10% of high school class, 45% in top 25% of high school class, 78% in top 50% of high school class. 77% from public high schools. ACT middle 50% range 20–25. SAT Math middle 50% range 470–570. SAT Critical Reading middle 50% range 460–560. SAT Writing middle 50% range 440–540. Minimum paper TOEFL 550, minimum web-based TOEFL 79.

## Costs and Financial Aid

98% first-year, 98% undergrads receive need-based scholarship or grant aid. 100% first-year, 80% undergrads receive need-based self-help aid. 97% first-year, 95% undergrads receive any aid. 79% of first-year need met, 76% of undergrad need met. 76% undergrads borrow to pay for school. **Average cumulative indebtedness:** \$27,560.

**Number of students in Engineering program:** 329

**Engineering majors:** bioengineering and biomedical; electrical; environmental; mechanical

4.1% of all Bachelor's Degrees awarded in Engineering.

# GENEVA COLLEGE

3200 COLLEGE AVENUE, BEAVER FALLS, PA 15010

PHONE: 724-847-6500 • E-MAIL: ADMISSIONS@GENEVA.EDU

WEBSITE: HTTP://WWW.GENEVA.EDU/

## Student Body

**Enrollment:** 1,340. **Student Body:** Asian 1%, African American 15%, Caucasian 100%, Hispanic 1%, International 1%, Native American <1%.

## Admissions

**Average high school GPA:** 3.40. 16% in top 10% of high school class, 37% in top 25% of high school class, 71% in top 50% of high school class. 72% from public high schools. ACT middle 50% range 20–25. SAT Math middle 50% range 480–590. SAT Critical Reading middle 50% range 490–610. Minimum paper TOEFL 480.

## Costs and Financial Aid

**Annual tuition:** \$19,430. **Room & board:** \$7,200. **Average book expense:** \$800. 100% first-year, 100% undergrads receive need-based scholarship or grant aid. 99% first-year, 85% undergrads receive need-based self-help aid. 95% first-year, 92% undergrads receive any aid. 83% of first-year need met, 81% of undergrad need met. 96% undergrads borrow to pay for school. **Average cumulative indebtedness:** \$22,000.

**Number of students in Engineering program:** 122

**Engineering majors:** engineering; chemical

5% of all Bachelor's Degrees awarded in Engineering.

**Computer science:** 1% of all Bachelor's Degrees awarded in Computer and Information Sciences.

# GEORGE FOX UNIVERSITY

414 N. MERIDIAN ST., NEWBERG, OR 97132

PHONE: 503-554-2240 • E-MAIL: ADMISSIONS@GEORGEFOX.EDU

WEBSITE: WWW.GEORGEFOX.EDU

## Student Body

**Enrollment:** 2,358. **Student Body:** Asian 4%, African American 2%, Caucasian 70%, Hispanic 7%, International 6%, Native American <1%.

## Admissions

**Average high school GPA:** 3.56. 27% in top 10% of high school class, 57% in top 25% of high school class, 85% in top 50% of high school class. 73% from public high schools. ACT middle 50% range 20–26. SAT Math middle 50% range 470–600. SAT Critical Reading middle 50% range 470–600. SAT Writing middle 50% range 460–590. Minimum paper TOEFL 550, minimum web-based TOEFL 80.

## Costs and Financial Aid

**Annual tuition:** \$30,770. **Room & board:** \$9,630. **Required fees:** \$350. **Average book expense:** \$950. 84% first-year, 84% undergrads receive need-based scholarship or grant aid. 89% first-year, 99% undergrads receive need-based self-help aid. 100% first-year, 96% undergrads receive any aid. 86% of first-year need met, 84% of undergrad need met. 86% undergrads borrow to pay for school. **Average cumulative indebtedness:** \$22,170. **Number of students in Engineering program:** 194. **Engineering majors:** engineering; civil; computer; electrical; mechanical 4.7% of all Bachelor's Degrees awarded in Engineering. **Computer science:** 1% of all Bachelor's Degrees awarded in Computer and Information Sciences.

# GEORGE MASON UNIVERSITY

4400 UNIVERSITY DRIVE, FAIRFAX, VA 22030-4444

PHONE: 703-993-2400 • E-MAIL: ADMISSIONS@GMU.EDU

WEBSITE: HTTP://WWW.GMU.EDU

## Student Body

**Enrollment:** 21,672. **Student Body:** Asian 18%, African American 10%, Caucasian 45%, Hispanic 12%, International 4%, Native American <1%.

## Admissions

**Average high school GPA:** 3.65. 26% in top 10% of high school class, 65% in top 25% of high school class, 95% in top 50% of high school class. 90% from public high schools. ACT middle 50% range 23–28. SAT Math middle 50% range 530–630. SAT Critical Reading middle 50% range 520–620. Minimum paper TOEFL 570, minimum web-based TOEFL 88.

## Costs and Financial Aid

**Annual in-state tuition:** \$7,562. **Annual out-of-state tuition:** \$27,140. **Room & board:** \$10,100. **Required fees:** \$2,820. **Average book expense:** \$1,136. 81% first-year, 81% undergrads receive need-based scholarship or grant aid. 78% first-year, 76% undergrads receive need-based self-help aid. 68% first-year, 58% undergrads receive any aid. 61% of first-year need met, 57% of undergrad need met. 60% undergrads borrow to pay for school. **Average cumulative indebtedness:** \$22,178. **Number of students in Engineering program:** 913. **Engineering majors:** bioengineering and biomedical; civil; computer; computer software; electrical; mechanical; systems; construction; industrial 3.9% of all Bachelor's Degrees awarded in Engineering. **Computer science:** 7% of all Bachelor's Degrees awarded in Computer and Information Sciences.

# THE GEORGE WASHINGTON UNIVERSITY

2121 EYE STREET NW, SUITE 201, WASHINGTON, DC 20052

PHONE: 202-994-6040 • E-MAIL: GWADM@GWU.EDU

WEBSITE: WWW.GWU.EDU

## Student Body

**Enrollment:** 10,184. **Student Body:** Asian 10%, African American 7%, Caucasian 57%, Hispanic 7%, International 7%, Native American <1%.

## Admissions

58% in top 10% of high school class, 86% in top 25% of high school class, 99% in top 50% of high school class. 70% from public high schools. ACT middle 50% range 27–31. SAT Math middle 50% range 610–700. SAT Critical Reading

middle 50% range 600–700. SAT Writing middle 50% range 620–710. Minimum paper TOEFL 550.

## Costs and Financial Aid

**Annual tuition:** \$48,700. **Room & board:** \$11,700. **Required fees:** \$60. **Average book expense:** \$1,275. 93% first-year, 93% undergrads receive need-based scholarship or grant aid. 92% first-year, 78% undergrads receive need-based self-help aid. **Average cumulative indebtedness:** \$23,390. **Number of students in Engineering program:** 648. **Engineering majors:** engineering; bioengineering and biomedical; civil; computer; electrical; mechanical; systems 3% of all Bachelor's Degrees awarded in Engineering. **Computer science:** 2% of all Bachelor's Degrees awarded in Computer and Information Sciences.

# GEORGIA INSTITUTE OF TECHNOLOGY

OFFICE OF UNDERGRADUATE ADMISSIONS, ATLANTA, GA 30332-0320

PHONE: 404-894-4154 • E-MAIL: ADMISSION@GATECH.EDU

WEBSITE: WWW.GATECH.EDU

## Student Body

**Enrollment:** 13,996. **Student Body:** Asian 18%, African American 6%, Caucasian 53%, Hispanic 7%, International 11%, Native American <1%.

## Admissions

**Average high school GPA:** 3.95. 79% in top 10% of high school class, 97% in top 25% of high school class, 99% in top 50% of high school class. ACT middle 50% range 30–33. SAT Math middle 50% range 680–770. SAT Critical Reading middle 50% range 630–720. SAT Writing middle 50% range 630–730.

## Costs and Financial Aid

**Annual in-state tuition:** \$9,002. **Annual out-of-state tuition:** \$28,306. **Room & board:** \$10,434. **Required fees:** \$2,392. **Average book expense:** \$1,200. 93% first-year, 93% undergrads receive need-based scholarship or grant aid. 86% first-year, 61% undergrads receive need-based self-help aid. 72% first-year, 74% undergrads receive any aid. 60% of first-year need met, 50% of undergrad need met. 43% undergrads borrow to pay for school. **Average cumulative indebtedness:** \$20,972. **Number of students in Engineering program:** 9,253. **Engineering majors:** aerospace, aeronautical and astronautical/space; bioengineering and biomedical; chemical; civil; computer; electrical; environmental; materials; mechanical; nuclear; textile sciences; industrial; mechanical; industrial 60.5% of all Bachelor's Degrees awarded in Engineering. **Computer science:** 8% of all Bachelor's Degrees awarded in Computer and Information Sciences.

# GEORGIA SOUTHERN UNIVERSITY

P.O. BOX 8024, STATESBORO, GA 30460

PHONE: 912-478-5391 • E-MAIL: ADMISSIONS@GEORGIASOUTHERN.EDU

WEBSITE: HTTP://WWW.GEORGIASOUTHERN.EDU/

## Student Body

**Enrollment:** 17,232. **Student Body:** Asian 1%, African American 26%, Caucasian 63%, Hispanic 5%, International 1%, Native American <1%.

## Admissions

**Average high school GPA:** 3.27. 19% in top 10% of high school class, 47% in top 25% of high school class, 77% in top 50% of high school class. ACT middle 50% range 22–25. SAT Math middle 50% range 510–590. SAT Critical Reading middle 50% range 520–590. SAT Writing middle 50% range 480–570. Minimum paper TOEFL 523, minimum web-based TOEFL 69.

## Costs and Financial Aid

**Annual in-state tuition:** \$5,098. **Annual out-of-state tuition:** \$17,994. **Room & board:** \$9,752. **Required fees:** \$2,092. **Average book expense:** \$1,200. 87% first-year, 87% undergrads receive need-based scholarship or grant aid. 81% first-year, 82% undergrads receive need-based self-help aid. 92% first-year, 89% undergrads receive any aid. 54% of first-year need met, 49% of undergrad need met. 72% undergrads borrow to pay for school. **Average cumulative indebtedness:** \$23,367. **Number of students in Engineering program:** 1,547. **Engineering majors:** civil; electrical; mechanical 4% of all Bachelor's Degrees awarded in Engineering. **Computer science:** 4% of all Bachelor's Degrees awarded in Computer and Information Sciences.

# GONZAGA UNIVERSITY

502 E. BOONE AVENUE, SPOKANE, WA 99258

PHONE: 509-313-6572 • E-MAIL: ADMISSIONS@GONZAGA.EDU

WEBSITE: WWW.GONZAGA.EDU

## Student Body

**Enrollment:** 4,754. **Student Body:** Asian 5%, African American 1%, Caucasian 73%, Hispanic 9%, International 2%, Native American 1%.

## Admissions

**Average high school GPA:** 3.70. 38% in top 10% of high school class, 71% in top 25% of high school class, 95% in top 50% of high school class. 68% from public high schools. ACT middle 50% range 25–29. SAT Math middle 50% range 560–650. SAT Critical Reading middle 50% range 540–640. Minimum paper TOEFL 550.

## Costs and Financial Aid

**Annual tuition:** \$37,480. **Room & board:** \$10,835. **Required fees:** \$510. **Average book expense:** \$1,092. 100% first-year, 100% undergrads receive need-based scholarship or grant aid. 100% first-year, 69% undergrads receive need-based self-help aid. 99% first-year, 98% undergrads receive any aid. 81% of first-year need met, 80% of undergrad need met. 60% undergrads borrow to pay for school. **Average cumulative indebtedness:** \$25,753. **Number of students in Engineering program:** 769. **Engineering majors:** engineering; civil; computer; electrical; mechanical; industrial. 10.4% of all Bachelor's Degrees awarded in Engineering. **Computer science:** 1% of all Bachelor's Degrees awarded in Computer and Information Sciences.

# GRAMBLING STATE UNIVERSITY

P. O. BOX 864, GRAMBLING, LA 71245

PHONE: 318-274-6423 • E-MAIL: TAYLORN@GRAM.EDU

WEBSITE: WWW.GRAM.EDU

## Student Body

**Enrollment:** 4,171. **Student Body:** Asian 0%, African American 93%, Caucasian 4%, Hispanic 0%, International 2%, Native American <1%.

## Admissions

**Average high school GPA:** 2.65.

## Costs and Financial Aid

**Average book expense:** \$600. 84% first-year, 84% undergrads receive need-based scholarship or grant aid. 87% first-year, 89% undergrads receive need-based self-help aid. 90% first-year, 92% undergrads receive any aid. 78% of first-year need met, 80% of undergrad need met. 90% undergrads borrow to pay for school. 5% of all Bachelor's Degrees awarded in Engineering. **Computer science:** 19% of all Bachelor's Degrees awarded in Computer and Information Sciences.

# GRAND VALLEY STATE UNIVERSITY

1 CAMPUS DRIVE, ALLENDALE, MI 49401

PHONE: 616-331-2025 • E-MAIL: ADMISSIONS@GVSU.EDU

WEBSITE: WWW.GVSU.EDU

## Student Body

**Enrollment:** 21,561. **Student Body:** Asian 2%, African American 5%, Caucasian 83%, Hispanic 5%, International 1%, Native American <1%.

## Admissions

**Average high school GPA:** 3.34. 18% in top 10% of high school class, 48% in top 25% of high school class, 86% in top 50% of high school class. ACT middle 50% range 21–26. Minimum paper TOEFL 550.

## Costs and Financial Aid

87% first-year, 87% undergrads receive need-based scholarship or grant aid. 82% first-year, 88% undergrads receive need-based self-help aid. 86% first-year, 83% undergrads receive any aid. 70% of first-year need met, 66% of undergrad need met. 73% undergrads borrow to pay for school. **Average cumulative indebtedness:** \$26,698. **Number of students in Engineering program:** 993. **Engineering majors:** engineering; manufacturing. 1.6% of all Bachelor's Degrees awarded in Engineering.

**Computer science:** 2% of all Bachelor's Degrees awarded in Computer and Information Sciences.

# GROVE CITY COLLEGE

100 CAMPUS DRIVE, GROVE CITY, PA 16127-2104

PHONE: 724-458-2100 • E-MAIL: ADMISSIONS@GCC.EDU

WEBSITE: WWW.GCC.EDU

## Student Body

**Enrollment:** 2,472. **Student Body:** Asian 2%, African American 1%, Caucasian 93%, Hispanic 1%, International 1%, Native American <1%.

## Admissions

**Average high school GPA:** 3.73. 45% in top 10% of high school class, 79% in top 25% of high school class, 93% in top 50% of high school class. 60% from public high schools. ACT middle 50% range 24–29. SAT Math middle 50% range 632–661. SAT Critical Reading middle 50% range 538–673. Minimum paper TOEFL 550, minimum web-based TOEFL 79.

## Costs and Financial Aid

**Average book expense:** \$1,000. 98% first-year, 98% undergrads receive need-based scholarship or grant aid. 98% first-year, 65% undergrads receive need-based self-help aid. 70% first-year, 71% undergrads receive any aid. 51% of first-year need met, 49% of undergrad need met. 56% undergrads borrow to pay for school. **Number of students in Engineering program:** 334. **Engineering majors:** electrical; mechanical. 9% of all Bachelor's Degrees awarded in Engineering. **Computer science:** 2% of all Bachelor's Degrees awarded in Computer and Information Sciences.

# HAMPTON UNIVERSITY

OFFICE OF ADMISSIONS, HAMPTON, VA 23668

PHONE: 757-727-5328 • E-MAIL: ADMIT@HAMPTONU.EDU

WEBSITE: WWW.HAMPTONU.EDU

## Student Body

**Enrollment:** 3,851. **Student Body:** Asian 1%, African American 89%, Caucasian 2%, Hispanic 1%, International 1%, Native American <1%.

## Admissions

**Average high school GPA:** 3.30. 20% in top 10% of high school class, 45% in top 25% of high school class, 90% in top 50% of high school class. 90% from public high schools. ACT middle 50% range 18–23. SAT Math middle 50% range 510–530. SAT Critical Reading middle 50% range 525–540. Minimum paper TOEFL 525.

## Costs and Financial Aid

**Annual tuition:** \$17,732. **Room & board:** \$8,790. **Required fees:** \$2,006. **Average book expense:** \$1,100. 94% first-year, 94% undergrads receive need-based scholarship or grant aid. 95% first-year, 83% undergrads receive need-based self-help aid. 44% first-year, 100% undergrads receive any aid. 58% of first-year need met, 54% of undergrad need met. 93% undergrads borrow to pay for school. **Average cumulative indebtedness:** \$1,853. **Number of students in Engineering program:** 112. **Engineering majors:** chemical; computer; electrical. 11% of all Bachelor's Degrees awarded in Engineering. **Computer science:** 29% of all Bachelor's Degrees awarded in Computer and Information Sciences.

# HARDING UNIVERSITY

BOX 12255, SEARCY, AR 72149

PHONE: 501-279-4407 • E-MAIL: ADMISSIONS@HARDING.EDU

WEBSITE: WWW.HARDING.EDU

## Student Body

**Enrollment:** 4,469. **Student Body:** Asian 1%, African American 4%, Caucasian 84%, Hispanic 3%, International 6%, Native American 1%.

## Admissions

**Average high school GPA:** 3.63. 27% in top 10% of high school class, 55% in top 25% of high school class, 82% in top 50% of high school class. 65% from public high schools. ACT middle 50% range 22–28. SAT Math middle 50% range 470–610. SAT Critical Reading middle 50% range 480–610. Minimum paper TOEFL 550, minimum web-based TOEFL 79.

### Costs and Financial Aid

**Annual tuition:** \$17,190. **Room & board:** \$6,700. **Required fees:** \$480.  
**Average book expense:** \$900. 98% first-year, 98% undergrads receive need-based scholarship or grant aid. 92% first-year, 76% undergrads receive need-based self-help aid. 99% first-year, 94% undergrads receive any aid. 83% of first-year need met, 72% of undergrad need met. 63% undergrads borrow to pay for school. **Average cumulative indebtedness:** \$20,597.  
**Number of students in Engineering program:** 189  
**Engineering majors:** bioengineering and biomedical; computer; electrical; mechanical  
3% of all Bachelor's Degrees awarded in Engineering.  
**Computer science:** 4% of all Bachelor's Degrees awarded in Computer and Information Sciences.

## HARVARD COLLEGE

86 BRATTLE STREET, CAMBRIDGE, MA 02138

PHONE: 617-495-1551 • E-MAIL: COLLEGE@FAS.HARVARD.EDU

WEBSITE: WWW.COLLEGE.HARVARD.EDU

### Student Body

**Enrollment:** 6,636. **Student Body:** Asian 19%, African American 7%, Caucasian 44%, Hispanic 10%, International 11%, Native American <1%.

### Admissions

**Average high school GPA:** 4.03. 95% in top 10% of high school class, 100% in top 25% of high school class, 100% in top 50% of high school class. 64% from public high schools. ACT middle 50% range 32–35. SAT Math middle 50% range 710–800. SAT Critical Reading middle 50% range 700–800. SAT Writing middle 50% range 710–800.

### Costs and Financial Aid

**Average book expense:** \$1,000.  
99% first-year, 99% undergrads receive need-based scholarship or grant aid. 99% first-year, 84% undergrads receive need-based self-help aid. 73% first-year, 66% undergrads receive any aid. 100% of first-year need met, 100% of undergrad need met. 26% undergrads borrow to pay for school. **Average cumulative indebtedness:** \$9,818.  
**Engineering majors:** engineering; bioengineering and biomedical; chemical; civil; structural; water resources; computer; computer hardware; computer software; electrical; mechanics; physics; science; environmental; materials; mechanical; metallurgical; systems; operations research  
5% of all Bachelor's Degrees awarded in Engineering.  
**Computer science:** 5% of all Bachelor's Degrees awarded in Computer and Information Sciences.

## HARVEY MUDD COLLEGE

301 PLATT BOULEVARD, CLAREMONT, CA 91711-5990

PHONE: 909-621-8011 • E-MAIL: ADMISSION@HMC.EDU

WEBSITE: WWW.HMC.EDU

### Student Body

**Enrollment:** 779. **Student Body:** Asian 16%, African American 1%, Caucasian 43%, Hispanic 5%, International 6%, Native American <1%.

### Admissions

96% in top 10% of high school class, 100% in top 25% of high school class, 100% in top 50% of high school class. 67% from public high schools. ACT middle 50% range 33–35. SAT Math middle 50% range 740–800. SAT Critical Reading middle 50% range 680–770. SAT Writing middle 50% range 680–760. Minimum paper TOEFL 600, minimum web-based TOEFL 100.

### Costs and Financial Aid

**Annual tuition:** \$48,315. **Room & board:** \$15,833. **Required fees:** \$379.  
**Average book expense:** \$800.  
96% first-year, 96% undergrads receive need-based scholarship or grant aid. 97% first-year, 74% undergrads receive need-based self-help aid. 100% of first-year need met, 100% of undergrad need met. 58% undergrads borrow to pay for school. **Average cumulative indebtedness:** \$23,139.  
**Engineering majors:** engineering  
34.5% of all Bachelor's Degrees awarded in Engineering.  
**Computer science:** 26% of all Bachelor's Degrees awarded in Computer and Information Sciences.

## HOPE COLLEGE

69 EAST 10TH, HOLLAND, MI 49422-9000

PHONE: 616-395-7850 • E-MAIL: ADMISSIONS@HOPE.EDU

WEBSITE: WWW.HOPE.EDU

### Student Body

**Enrollment:** 3,251. **Student Body:** Asian 2%, African American 2%, Caucasian 85%, Hispanic 6%, International 2%, Native American <1%.

### Admissions

**Average high school GPA:** 3.77. 37% in top 10% of high school class, 64% in top 25% of high school class, 92% in top 50% of high school class. 88% from public high schools. ACT middle 50% range 23–29. SAT Math middle 50% range 520–670. SAT Critical Reading middle 50% range 510–660. Minimum web-based TOEFL 80.

### Costs and Financial Aid

**Annual tuition:** \$28,550. **Room & board:** \$8,810. **Required fees:** \$170.  
**Average book expense:** \$820. 86% first-year, 86% undergrads receive need-based scholarship or grant aid. 84% first-year, 82% undergrads receive need-based self-help aid. 96% first-year, 92% undergrads receive any aid. 79% of first-year need met, 78% of undergrad need met. 65% undergrads borrow to pay for school. **Average cumulative indebtedness:** \$23,717.  
**Number of students in Engineering program:** 100  
**Engineering majors:** engineering; physics  
3.7% of all Bachelor's Degrees awarded in Engineering.

## HOWARD UNIVERSITY

2400 SIXTH STREET, NW, SUITE 111, WASHINGTON, DC 20059

PHONE: 202-806-2755 • E-MAIL: ADMISSION@HOWARD.EDU

WEBSITE: WWW.HOWARD.EDU

### Student Body

**Enrollment:** 6,921. **Student Body:** Asian 1%, African American 91%, Caucasian 1%, Hispanic 0%, International 3%, Native American 2%.

### Admissions

**Average high school GPA:** 3.30. 23% in top 10% of high school class, 54% in top 25% of high school class, 85% in top 50% of high school class. 80% from public high schools. ACT middle 50% range 21–26. SAT Math middle 50% range 490–590. SAT Critical Reading middle 50% range 490–600. SAT Writing middle 50% range 490–600. Minimum paper TOEFL 550.

### Costs and Financial Aid

**Annual tuition:** \$22,737. **Room & board:** \$13,646. **Required fees:** \$1,233.  
**Average book expense:** \$3,000. 61% first-year, 61% undergrads receive need-based scholarship or grant aid. 63% first-year, 76% undergrads receive need-based self-help aid. 12% 96% first-year, 96% undergrads receive any aid. 12% of undergrad need met. 83% undergrads borrow to pay for school. **Average cumulative indebtedness:** \$23,749.  
4% of all Bachelor's Degrees awarded in Engineering.  
**Computer science:** 2% of all Bachelor's Degrees awarded in Computer and Information Sciences.

## HOFSTRA UNIVERSITY

100 HOFSTRA UNIVERSITY, HEMPSTEAD, NY 11549

PHONE: 516-463-6700 • E-MAIL: ADMISSION@HOFSTRA.EDU

WEBSITE: HTTP://WWW.HOFSTRA.EDU

### Student Body

**Enrollment:** 6,803. **Student Body:** Asian 9%, African American 9%, Caucasian 56%, Hispanic 14%, International 4%, Native American <1%.

### Admissions

**Average high school GPA:** 3.55. 28% in top 10% of high school class, 57% in top 25% of high school class, 86% in top 50% of high school class. ACT middle 50% range 23–28. SAT Math middle 50% range 530–620. SAT Critical Reading middle 50% range 520–610. Minimum paper TOEFL 550, minimum web-based TOEFL 80.

### Costs and Financial Aid

**Annual tuition:** \$37,850. **Room & board:** \$13,510. **Required fees:** \$1,050.  
**Average book expense:** \$1,000. 96% first-year, 96% undergrads receive need-based scholarship or grant aid. 93% first-year, 78% undergrads receive need-based self-help aid. 97% first-year, 91% undergrads receive any aid. 67%

of first-year need met, 61% of undergrad need met. 67% undergrads borrow to pay for school.

**Number of students in Engineering program:** 419

**Engineering majors:** bioengineering and biomedical; civil; computer; electrical; science; mechanical; industrial; manufacturing  
1.4% of all Bachelor's Degrees awarded in Engineering.

**Computer science:** 1% of all Bachelor's Degrees awarded in Computer and Information Sciences.

## HUMBOLDT STATE UNIVERSITY

1 HARPST STREET, ARCATA, CA 95521-8299

PHONE: 707-826-4402 • E-MAIL: HSIINFO@HUMBOLDT.EDU

WEBSITE: WWW.HUMBOLDT.EDU

### Student Body

**Enrollment:** 7,942. **Student Body:** Asian 3%, African American 4%, Caucasian 47%, Hispanic 30%, International 1%, Native American 1%.

### Admissions

**Average high school GPA:** 3.21. 13% in top 10% of high school class, 46% in top 25% of high school class, 80% in top 50% of high school class. 90% from public high schools. ACT middle 50% range 18–24. SAT Math middle 50% range 440–560. SAT Critical Reading middle 50% range 430–540. SAT Writing middle 50% range 430–540. Minimum paper TOEFL 525, minimum web-based TOEFL 71.

### Costs and Financial Aid

**Annual in-state tuition:** \$7,190. **Annual out-of-state tuition:** \$16,118. **Room & board:** \$12,380. **Average book expense:** \$1,628. 83% first-year, 83% undergrads receive need-based scholarship or grant aid. 84% first-year, 75% undergrads receive need-based self-help aid. 72% first-year, 74% undergrads receive any aid. 70% of first-year need met, 70% of undergrad need met. 74% undergrads borrow to pay for school. **Average cumulative indebtedness:** \$18,407.

**Number of students in Engineering program:** 303

**Engineering majors:** environmental

3% of all Bachelor's Degrees awarded in Engineering.

**Computer science:** 1% of all Bachelor's Degrees awarded in Computer and Information Sciences.

## IDAHO STATE UNIVERSITY

MUSEUM OF NATIONAL HISTORY 319, POCATELLO, ID 83209-8270

PHONE: 208-282-2475 • E-MAIL: INFO@ISU.EDU

WEBSITE: WWW.ISU.EDU

### Student Body

**Enrollment:** 10,034. **Student Body:** Asian 2%, African American 1%, Caucasian 82%, Hispanic 6%, International 1%, Native American 2%.

### Admissions

**Average high school GPA:** 3.21. 13% in top 10% of high school class, 31% in top 25% of high school class, 61% in top 50% of high school class. ACT middle 50% range 18–24. SAT Math middle 50% range 470–570. SAT Writing middle 50% range 460–600. Minimum paper TOEFL 500, minimum web-based TOEFL 61.

### Costs and Financial Aid

**Annual in-state tuition:** \$3,318. **Annual out-of-state tuition:** \$13,120. **Room & board:** \$5,050. **Required fees:** \$1,650. **Average book expense:** \$900.

**Number of students in Engineering program:** 539

**Engineering majors:** engineering; civil; electrical; science; environmental; mechanical; nuclear

3.6% of all Bachelor's Degrees awarded in Engineering.

**Computer science:** 1% of all Bachelor's Degrees awarded in Computer and Information Sciences.

## ILLINOIS INSTITUTE OF TECHNOLOGY

10 WEST 33RD STREET, CHICAGO, IL 60616

PHONE: 312-567-3025 • E-MAIL: ADMISSION@IIT.EDU

WEBSITE: HTTP://WWW.IIT.EDU/

### Student Body

**Enrollment:** 3,046. **Student Body:** Asian 11%, African American 6%, Caucasian 33%, Hispanic 14%, International 30%, Native American <1%.

### Admissions

**Average high school GPA:** 3.62. 45% in top 10% of high school class, 74% in top 25% of high school class, 96% in top 50% of high school class. 90% from public high schools. ACT middle 50% range 25–31. SAT Math middle 50% range 640–740. SAT Critical Reading middle 50% range 520–640. SAT Writing middle 50% range 520–640. Minimum paper TOEFL 550, minimum web-based TOEFL 80.

### Costs and Financial Aid

**Annual tuition:** \$39,975. **Room & board:** \$10,900. **Required fees:** \$1,670. **Average book expense:** \$1,200. 99% first-year, 99% undergrads receive need-based scholarship or grant aid. 99% first-year, 73% undergrads receive need-based self-help aid. 100% first-year, 100% undergrads receive any aid. 83% of first-year need met, 78% of undergrad need met. 58% undergrads borrow to pay for school. **Average cumulative indebtedness:** \$26,378.

**Number of students in Engineering program:** 1,556

**Engineering majors:** engineering; aerospace, aeronautical and astronautical; space; architectural; bioengineering and biomedical; chemical; civil; computer; electrical; physics; materials; mechanical

51.1% of all Bachelor's Degrees awarded in Engineering.

**Computer science:** 10% of all Bachelor's Degrees awarded in Computer and Information Sciences.

## ILLINOIS STATE UNIVERSITY

OFFICE OF ADMISSIONS, NORMAL, IL 61790-2200

PHONE: 309-438-2181 • E-MAIL: ADMISSIONS@ILLINOISSTATE.EDU

WEBSITE: WWW.ILSTU.EDU

### Student Body

**Enrollment:** 18,526. **Student Body:** Asian 2%, African American 6%, Caucasian 82%, Hispanic 6%, International 1%, Native American <1%.

### Admissions

**Average high school GPA:** 3.33. 87% from public high schools. ACT middle 50% range 22–26. Minimum paper TOEFL 550.

### Costs and Financial Aid

**Annual in-state tuition:** \$9,630. **Annual out-of-state tuition:** \$16,590.

**Room & board:** \$9,090. **Required fees:** \$2,600. **Average book expense:** \$1,074. 58% first-year, 58% undergrads receive need-based scholarship or grant aid. 55% first-year, 83% undergrads receive need-based self-help aid. 74% first-year, 75% undergrads receive any aid. 65% undergrads borrow to pay for school. **Average cumulative indebtedness:** \$20,862.

**Number of students in Engineering program:** 40

**Computer science:** 2% of all Bachelor's Degrees awarded in Computer and Information Sciences.

## INDIANA INSTITUTE OF TECHNOLOGY

1600 EAST WASHINGTON BLVD, FORT WAYNE, IN 46803

PHONE: 260-422-5561 • E-MAIL: ADMISSIONS@INDTECH.EDU

WEBSITE: WWW.INDIANATECH.EDU

### Student Body

**Enrollment:** 2,985. **Student Body:** Asian 1%, African American 17%, Caucasian 63%, Hispanic 2%, International 1%, Native American 1%.

### Admissions

**Average high school GPA:** 2.93. 8% in top 10% of high school class, 27% in top 25% of high school class, 57% in top 50% of high school class. 80% from public high schools. Minimum paper TOEFL 500.

### Costs and Financial Aid

**Average book expense:** \$0. 92% first-year, 92% undergrads receive need-based scholarship or grant aid. 82% first-year, 87% undergrads receive need-based self-help aid. 71% of first-year need met, 69% of undergrad need met. 73% undergrads borrow to pay for school.



**Engineering majors:** civil; computer; electrical; mechanical  
8% of all Bachelor's Degrees awarded in Engineering.  
**Computer science:** 10% of all Bachelor's Degrees awarded in Computer and Information Sciences.

## INDIANA UNIVERSITY OF PENNSYLVANIA

1011 SOUTH DRIVE, INDIANA, PA 15705

PHONE: 724-357-2230 • E-MAIL: ADMISSIONS-INQUIRY@IUP.EDU

WEBSITE: WWW.IUP.EDU

### Student Body

**Enrollment:** 11,774. **Student Body:** Asian 1%, African American 11%, Caucasian 77%, Hispanic 4%, International 3%, Native American <1%.

### Admissions

8% in top 10% of high school class, 26% in top 25% of high school class, 60% in top 50% of high school class. SAT Math middle 50% range 430–530. SAT Critical Reading middle 50% range 430–530. SAT Writing middle 50% range 403–510. Minimum paper TOEFL 500, minimum web-based TOEFL 61.

### Costs and Financial Aid

**Annual in-state tuition:** \$6,820. **Annual out-of-state tuition:** \$17,050. **Room & board:** \$11,490. **Required fees:** \$2,650. **Average book expense:** \$1,100. 65% first-year, 65% undergrads receive need-based scholarship or grant aid. 64% first-year, 90% undergrads receive need-based self-help aid. 79% first-year, 82% undergrads receive any aid. 59% of first-year need met, 56% of undergrad need met. 82% undergrads borrow to pay for school. **Average cumulative indebtedness:** \$33,476.

**Number of students in Engineering program:** 317

**Computer science:** 1% of all Bachelor's Degrees awarded in Computer and Information Sciences.

## INDIANA UNIVERSITY—PURDUE UNIVERSITY FORT WAYNE

2101 EAST COLISEUM BOULEVARD, FORT WAYNE, IN 46805-1499

PHONE: 260-481-6812 • E-MAIL: IPFWADMS@IPFW.EDU

WEBSITE: WWW.IPFW.EDU

### Student Body

**Enrollment:** 10,587. **Student Body:** Asian 2%, African American 5%, Caucasian 87%, Hispanic 2%, International 2%, Native American <1%.

### Admissions

**Average high school GPA:** 2.59. 7% in top 10% of high school class, 24% in top 25% of high school class, 57% in top 50% of high school class. ACT middle 50% range 17–23. SAT Math middle 50% range 430–550. SAT Critical Reading middle 50% range 420–540. Minimum paper TOEFL 550.

### Costs and Financial Aid

**Annual in-state tuition:** \$3,508. **Annual out-of-state tuition:** \$8,136. **Required fees:** \$384. **Average book expense:** \$800. 56% first-year, 56% undergrads receive need-based scholarship or grant aid. 69% first-year, 40% undergrads receive need-based self-help aid. 70% of first-year need met, 72% of undergrad need met. 59% undergrads borrow to pay for school. 8% of all Bachelor's Degrees awarded in Engineering. **Computer science:** 3% of all Bachelor's Degrees awarded in Computer and Information Sciences.

## INDIANA UNIVERSITY—PURDUE UNIVERSITY INDIANAPOLIS

420 N UNIVERSITY BOULEVARD, INDIANAPOLIS, IN 46202

PHONE: 317-274-4591 • E-MAIL: APPLY@IUPUI.EDU

WEBSITE: WWW.IUPUI.EDU

### Student Body

**Enrollment:** 21,777. **Student Body:** Asian 4%, African American 10%, Caucasian 72%, Hispanic 6%, International 4%, Native American <1%.

### Admissions

**Average high school GPA:** 3.34. 15% in top 10% of high school class, 42% in top 25% of high school class, 86% in top 50% of high school class. ACT

middle 50% range 19–25. SAT Math middle 50% range 440–570. SAT Critical Reading middle 50% range 440–550. SAT Writing middle 50% range 430–530. Minimum paper TOEFL 550, minimum web-based TOEFL 79.

### Costs and Financial Aid

**Annual in-state tuition:** \$7,878. **Annual out-of-state tuition:** \$29,058.

**Room & board:** \$7,981. **Required fees:** \$1,031. **Average book expense:** \$1,400.

83% first-year, 83% undergrads receive need-based scholarship or grant aid. 79% first-year, 72% undergrads receive need-based self-help aid. 89% first-year, 63% of first-year need met, 61% of undergrad need met. 73% undergrads borrow to pay for school. **Average cumulative indebtedness:** \$28,485.

**Engineering majors:** engineering; bioengineering and biomedical; computer; electrical; mechanical

4.6% of all Bachelor's Degrees awarded in Engineering.

**Computer science:** 2% of all Bachelor's Degrees awarded in Computer and Information Sciences.

## IONA COLLEGE

715 NORTH AVENUE, NEW ROCHELLE, NY 10801

PHONE: 914-633-2502 • E-MAIL: ADMISSIONS@IONA.EDU

WEBSITE: WWW.IONA.EDU

### Student Body

**Enrollment:** 2,988. **Student Body:** Asian 2%, African American 6%, Caucasian 63%, Hispanic 18%, International 2%, Native American <1%.

### Admissions

**Average high school GPA:** 3.10. 17% in top 10% of high school class, 44% in top 25% of high school class, 76% in top 50% of high school class. 58% from public high schools. ACT middle 50% range 20–25. SAT Math middle 50% range 460–560. SAT Critical Reading middle 50% range 450–550. Minimum paper TOEFL 550, minimum web-based TOEFL 80.

### Costs and Financial Aid

**Annual tuition:** \$30,670. **Room & board:** \$13,175. **Required fees:** \$2,100.

**Average book expense:** \$1,500. 77% first-year, 77% undergrads receive need-based scholarship or grant aid. 70% first-year, 83% undergrads receive need-based self-help aid. 98% first-year, 96% undergrads receive any aid. 26% of first-year need met, 28% of undergrad need met. 71% undergrads borrow to pay for school. **Average cumulative indebtedness:** \$22,877.

**Computer science:** 1% of all Bachelor's Degrees awarded in Computer and Information Sciences.

## IOWA STATE UNIVERSITY

100 ENROLLMENT SERVICES CENTER, AMES, IA 50011-2011

PHONE: 515-294-5836 • E-MAIL: ADMISSIONS@IASTATE.EDU

WEBSITE: WWW.IASTATE.EDU

### Student Body

**Enrollment:** 28,336. **Student Body:** Asian 3%, African American 3%, Caucasian 77%, Hispanic 4%, International 7%, Native American <1%.

### Admissions

**Average high school GPA:** 3.55. 26% in top 10% of high school class, 58% in top 25% of high school class, 91% in top 50% of high school class. 93% from public high schools. ACT middle 50% range 21–29. SAT Math middle 50% range 530–680. SAT Critical Reading middle 50% range 460–630. Minimum paper TOEFL 530, minimum web-based TOEFL 71.

### Costs and Financial Aid

**Annual in-state tuition:** \$6,648. **Annual out-of-state tuition:** \$19,768.

**Room & board:** \$8,070. **Required fees:** \$1,088. 98% first-year, 98% undergrads receive need-based scholarship or grant aid. 98% first-year, 75% undergrads receive need-based self-help aid. 86% first-year, 79% undergrads receive any aid. 83% of first-year need met, 80% of undergrad need met. 62% undergrads borrow to pay for school. **Average cumulative indebtedness:** \$24,787.

**Number of students in Engineering program:** 7,033

**Engineering majors:** industrial; construction; metallurgical; mechanical; materials; science; electrical; computer software; computer; civil; chemical; ceramic sciences; agricultural; aerospace, aeronautical and astronautical/space

19.2% of all Bachelor's Degrees awarded in Engineering. **Computer science:** 1% of all Bachelor's Degrees awarded in Computer and Information Sciences.

## JACKSON STATE UNIVERSITY

1400 J. R. LYNCH STREET, JACKSON, MS 39217  
PHONE: 601-979-2100 • E-MAIL: ADMAPPL@JSUMS.EDU  
WEBSITE: WWW.JSUMS.EDU

### Student Body

**Enrollment:** 6,844. **Student Body:** Asian 0%, African American 93%, Caucasian 3%, Hispanic 0%, International 2%, Native American <1%.

### Admissions

**Average high school GPA:** 2.90. 85% from public high schools. ACT middle 50% range 17–20. Minimum paper TOEFL 525.

### Costs and Financial Aid

**Average book expense:** \$800.  
**Number of students in Engineering program:** 398  
**Engineering majors:** engineering; civil; computer; electrical  
2% of all Bachelor's Degrees awarded in Engineering.  
**Computer science:** 1% of all Bachelor's Degrees awarded in Computer and Information Sciences.

## JACKSONVILLE STATE UNIVERSITY

700 PELHAM ROAD NORTH, JACKSONVILLE, AL 36265  
PHONE: 256-782-5268 • E-MAIL: INFO@JSU.EDU  
WEBSITE: WWW.JSU.EDU

### Student Body

**Enrollment:** 7,096. **Student Body:** Asian 1%, African American 22%, Caucasian 71%, Hispanic 1%, International 1%, Native American 1%.

### Admissions

**Average high school GPA:** 2.99. 3% in top 10% of high school class, 13% in top 25% of high school class, 34% in top 50% of high school class. 99% from public high schools. ACT middle 50% range 17–23. SAT Math middle 50% range 400–530. SAT Critical Reading middle 50% range 420–530. Minimum paper TOEFL 500.

### Costs and Financial Aid

**Annual in-state tuition:** \$4,040. **Annual out-of-state tuition:** \$8,080. **Room & board:** \$3,312. **Required fees:** \$20. **Average book expense:** \$1,008.  
**Number of students in Engineering program:** 202  
3% of all Bachelor's Degrees awarded in Engineering.  
**Computer science:** 3% of all Bachelor's Degrees awarded in Computer and Information Sciences.

## JAMES MADISON UNIVERSITY

SONNER HALL, MSC 0101, HARRISONBURG, VA 22807  
PHONE: 540-568-5681 • E-MAIL: ADMISSIONS@JMU.EDU  
WEBSITE: WWW.JMU.EDU

### Student Body

**Enrollment:** 18,695. **Student Body:** Asian 4%, African American 4%, Caucasian 78%, Hispanic 5%, International 2%, Native American <1%.

### Admissions

26% in top 10% of high school class, 43% in top 25% of high school class, 97% in top 50% of high school class. 60% from public high schools. ACT middle 50% range 25–27. SAT Math middle 50% range 530–620. SAT Critical Reading middle 50% range 520–610. Minimum paper TOEFL 550.

### Costs and Financial Aid

**Annual in-state tuition:** \$5,406. **Annual out-of-state tuition:** \$20,266.  
**Room & board:** \$8,828. **Required fees:** \$4,256. **Average book expense:** \$876.  
50% first-year, 50% undergrads receive need-based scholarship or grant aid. 44% first-year, 68% undergrads receive need-based self-help aid. 61% first-year, 49% undergrads receive any aid. 39% of first-year need met, 43% of undergrad need met. 52% undergrads borrow to pay for school. **Average cumulative indebtedness:** \$20,054.  
**Number of students in Engineering program:** 433  
**Engineering majors:** engineering  
1.3% of all Bachelor's Degrees awarded in Engineering.  
**Computer science:** 4% of all Bachelor's Degrees awarded in Computer and Information Sciences.

## JOHN BROWN UNIVERSITY

2000 WEST UNIVERSITY STREET, SILOAM SPRINGS, AR 72761  
PHONE: 479-524-7157 • E-MAIL: JBUINFO@JBU.EDU  
WEBSITE: WWW.JBU.EDU

### Student Body

**Enrollment:** 1,742. **Student Body:** Asian 1%, African American 3%, Caucasian 76%, Hispanic 6%, International 6%, Native American 2%.

### Admissions

**Average high school GPA:** 3.70. 30% in top 10% of high school class, 59% in top 25% of high school class, 85% in top 50% of high school class. ACT middle 50% range 23–29. SAT Math middle 50% range 510–620. SAT Critical Reading middle 50% range 515–640. SAT Writing middle 50% range 490–600. Minimum paper TOEFL 560, minimum web-based TOEFL 85.

### Costs and Financial Aid

**Annual tuition:** \$22,552. **Room & board:** \$8,468. **Required fees:** \$1,036.  
**Average book expense:** \$800. 93% first-year, 93% undergrads receive need-based scholarship or grant aid. 93% first-year, 43% undergrads receive need-based self-help aid. 90% first-year, 91% undergrads receive any aid. 77% of first-year need met, 71% of undergrad need met. 61% undergrads borrow to pay for school. **Average cumulative indebtedness:** \$23,487.  
**Engineering majors:** engineering  
9% of all Bachelor's Degrees awarded in Engineering.

## JOHNS HOPKINS UNIVERSITY

3400 NORTH CHARLES STREET, BALTIMORE, MD 21218  
PHONE: 410-516-8171 • E-MAIL: GOTOJHU@JHU.EDU  
WEBSITE: WWW.JHU.EDU

### Student Body

**Enrollment:** 5,312. **Student Body:** Asian 21%, African American 5%, Caucasian 44%, Hispanic 13%, International 9%, Native American <1%.

### Admissions

**Average high school GPA:** 3.88. 88% in top 10% of high school class, 98% in top 25% of high school class, 100% in top 50% of high school class. 59% from public high schools. ACT middle 50% range 32–34. SAT Math middle 50% range 690–780. SAT Critical Reading middle 50% range 670–750. SAT Writing middle 50% range 680–770. Minimum paper TOEFL 600.

### Costs and Financial Aid

**Annual tuition:** \$47,060. **Room & board:** \$14,246. **Required fees:** \$500.  
**Average book expense:** \$1,223. 92% first-year, 92% undergrads receive need-based scholarship or grant aid. 92% first-year, 88% undergrads receive need-based self-help aid. 58% first-year, 55% undergrads receive any aid. 100% of first-year need met, 100% of undergrad need met. 45% undergrads borrow to pay for school. **Average cumulative indebtedness:** \$17,438.  
**Number of students in Engineering program:** 1,668  
**Engineering majors:** engineering; bioengineering and biomedical; chemical and biomolecular; civil; computer; electrical; mechanics; environmental; materials; mechanical  
17.8% of all Bachelor's Degrees awarded in Engineering.  
**Computer science:** 2% of all Bachelor's Degrees awarded in Computer and Information Sciences.

## KANSAS STATE UNIVERSITY

119 ANDERSON HALL, MANHATTAN, KS 66506  
PHONE: 785-532-6250 • E-MAIL: K-STATE@K-STATE.EDU  
WEBSITE: WWW.K-STATE.EDU

### Student Body

**Enrollment:** 19,727. **Student Body:** Asian 1%, African American 4%, Caucasian 78%, Hispanic 6%, International 6%, Native American <1%.

### Admissions

**Average high school GPA:** 3.49. 22% in top 10% of high school class, 47% in top 25% of high school class, 75% in top 50% of high school class. 81% from public high schools. ACT middle 50% range 22–28.

### Costs and Financial Aid

**Annual in-state tuition:** \$8,223. **Annual out-of-state tuition:** \$21,813.  
**Room & board:** \$8,060. **Required fees:** \$811. **Average book expense:** \$1,100.

54% first-year, 54% undergrads receive need-based scholarship or grant aid. 56% first-year, 77% undergrads receive need-based self-help aid. 78% of first-year need met, 77% of undergrad need met. 63% undergrads borrow to pay for school. **Average cumulative indebtedness:** \$24,879.

**Number of students in Engineering program:** 3,443

**Engineering majors:** agricultural; architectural; chemical; civil; computer; electrical; mechanical; industrial

11.1% of all Bachelor's Degrees awarded in Engineering.

**Computer science:** 1% of all Bachelor's Degrees awarded in Computer and Information Sciences.

## KENNESAW STATE UNIVERSITY

3391 TOWN POINT DRIVE, SUITE 1000, KENNESAW, GA 30144-5591

PHONE: 770-423-6300 • E-MAIL: KSUADMIT@KENNESAW.EDU

WEBSITE: WWW.KENNESAW.EDU

### Student Body

**Enrollment:** 23,435. **Student Body:** Asian 3%, African American 19%, Caucasian 61%, Hispanic 8%, International 2%, Native American <1%.

### Admissions

**Average high school GPA:** 3.23. 27% in top 10% of high school class, 35% in top 25% of high school class, 98% in top 50% of high school class. 90% from public high schools. ACT middle 50% range 21–24. SAT Math middle 50% range 490–580. SAT Critical Reading middle 50% range 500–590. SAT Writing middle 50% range 460–560. Minimum paper TOEFL 527, minimum web-based TOEFL 75.

### Costs and Financial Aid

78% first-year, 78% undergrads receive need-based scholarship or grant aid. 86% first-year, 1% undergrads receive need-based self-help aid. 65% first-year, 64% undergrads receive any aid. 84% of first-year need met, 67% of undergrad need met. 63% undergrads borrow to pay for school. **Average cumulative indebtedness:** \$9,679.

**Computer science:** 5% of all Bachelor's Degrees awarded in Computer and Information Sciences.

## KETTERING UNIVERSITY

1700 UNIVERSITY AVE., FLINT, MI 48504-6214

PHONE: 810-762-9865 • E-MAIL: ADMISSIONS@KETTERING.EDU

WEBSITE: WWW.KETTERING.EDU

### Student Body

**Enrollment:** 1,698. **Student Body:** Asian 3%, African American 4%, Caucasian 76%, Hispanic 3%, International 5%, Native American <1%.

### Admissions

**Average high school GPA:** 3.65. 34% in top 10% of high school class, 71% in top 25% of high school class, 94% in top 50% of high school class. 68% from public high schools. ACT middle 50% range 25–29. SAT Math middle 50% range 590–660. SAT Critical Reading middle 50% range 520–650. Minimum paper TOEFL 550, minimum web-based TOEFL 79.

### Costs and Financial Aid

100% first-year, 100% undergrads receive need-based scholarship or grant aid. 99% first-year, 91% undergrads receive need-based self-help aid. 98% first-year, 88% undergrads receive any aid. 66% of first-year need met, 68% of undergrad need met.

**Number of students in Engineering program:** 1,437

**Engineering majors:** chemical; computer; electrical; physics; mechanical; industrial

83.3% of all Bachelor's Degrees awarded in Engineering.

**Computer science:** 7% of all Bachelor's Degrees awarded in Computer and Information Sciences.

## LAFAYETTE COLLEGE

118 MARKLE HALL, EASTON, PA 18042

PHONE: 610-330-5100 • E-MAIL: ADMISSIONS@LAFAYETTE.EDU

WEBSITE: HTTP://WWW.LAFAYETTE.EDU/

### Student Body

**Enrollment:** 2,471. **Student Body:** Asian 3%, African American 5%, Caucasian 68%, Hispanic 7%, International 8%, Native American <1%.

### Admissions

**Average high school GPA:** 3.46. 62% in top 10% of high school class, 89% in top 25% of high school class, 97% in top 50% of high school class. 65% from public high schools. ACT middle 50% range 27–31. SAT Math middle 50% range 610–700. SAT Critical Reading middle 50% range 570–670. SAT Writing middle 50% range 580–690. Minimum paper TOEFL 550, minimum web-based TOEFL 80.

### Costs and Financial Aid

**Annual tuition:** \$45,230. **Room & board:** \$13,520. **Required fees:** \$405.

**Average book expense:** \$1,000. 97% first-year, 97% undergrads receive need-based scholarship or grant aid. 97% first-year, 93% undergrads receive need-based self-help aid. 62% first-year, 61% undergrads receive any aid. 99% of first-year need met, 98% of undergrad need met. 54% undergrads borrow to pay for school. **Average cumulative indebtedness:** \$21,264.

**Number of students in Engineering program:** 621

**Engineering majors:** engineering; chemical; civil; computer; electrical; mechanical

20.9% of all Bachelor's Degrees awarded in Engineering.

**Computer science:** 1% of all Bachelor's Degrees awarded in Computer and Information Sciences.

## LAKE SUPERIOR STATE UNIVERSITY

650 W. EASTERDAY AVENUE, SAULT STE. MARIE, MI 49783-1699

PHONE: 906-635-2231 • E-MAIL: ADMISSIONS@LSSU.EDU

### Student Body

**Enrollment:** 2,440. **Student Body:** Asian 1%, African American 1%, Caucasian 79%, Hispanic 2%, International 7%, Native American 8%.

### Admissions

**Average high school GPA:** 3.29. 14% in top 10% of high school class, 40% in top 25% of high school class, 75% in top 50% of high school class. ACT middle 50% range 20–25. Minimum paper TOEFL 550.

### Costs and Financial Aid

**Annual in-state tuition:** \$9,540. **Annual out-of-state tuition:** \$14,410.

**Room & board:** \$8,481. **Required fees:** \$350. **Average book expense:**

\$1,200. 75% first-year, 75% undergrads receive need-based scholarship or

grant aid. 75% first-year, 90% undergrads receive need-based self-help aid.

83% undergrads receive any aid. 67% of first-year need met, 61% of undergrad

need met. 71% undergrads borrow to pay for school. **Average cumulative**

**indebtedness:** \$22,896

4% of all Bachelor's Degrees awarded in Engineering.

**Computer science:** 3% of all Bachelor's Degrees awarded in Computer and Information Sciences.

## LAMAR UNIVERSITY

P.O. Box 10009, BEAUMONT, TX 77710

PHONE: 409-880-8888 • E-MAIL: ADMISSIONS@HAL.LAMAR.EDU

WEBSITE: WWW.LAMAR.EDU

### Student Body

**Enrollment:** 9,057. **Student Body:** Asian 3%, African American 22%, Caucasian 74%, Hispanic 5%, International 1%, Native American 1%.

### Admissions

10% in top 10% of high school class, 27% in top 25% of high school class, 90% in top 50% of high school class. 96% from public high schools. Minimum paper TOEFL 500.

### Costs and Financial Aid

**Required fees:** \$840.

## LAWRENCE TECHNOLOGICAL UNIVERSITY

21000 WEST TEN MILE RD., SOUTHFIELD, MI 48075-1058

PHONE: 248-204-3160 • E-MAIL: ADMISSIONS@LTU.EDU

WEBSITE: WWW.LTU.EDU

### Student Body

**Enrollment:** 1,978. **Student Body:** Asian 7%, African American 8%, Caucasian 67%, Hispanic 3%, International 8%, Native American <1%.

### Admissions

**Average high school GPA:** 3.43. 24% in top 10% of high school class, 50% in top 25% of high school class, 81% in top 50% of high school class. ACT middle 50% range 21–28. SAT Math middle 50% range 540–650. SAT Critical Reading middle 50% range 500–580. SAT Writing middle 50% range 450–580. Minimum paper TOEFL 550, minimum web-based TOEFL 79.

### Costs and Financial Aid

**Annual tuition:** \$29,580. **Room & board:** \$8,986. **Required fees:** \$620. **Average book expense:** \$1,405. 98% first-year, 98% undergrads receive need-based scholarship or grant aid. 97% first-year, 84% undergrads receive need-based self-help aid. 95% first-year, 53% undergrads receive any aid. 71% of first-year need met, 68% of undergrad need met. 69% undergrads borrow to pay for school. **Average cumulative indebtedness:** \$27,768.

**Number of students in Engineering program:** 879

**Engineering majors:** architectural; bioengineering and biomedical; civil; computer; electrical; mechanical; industrial; mechatronics, robotics, and automation 29% of all Bachelor's Degrees awarded in Engineering.

**Computer science:** 9% of all Bachelor's Degrees awarded in Computer and Information Sciences.

## LEHIGH UNIVERSITY

27 MEMORIAL DRIVE WEST, BETHLEHEM, PA 18015

PHONE: 610-758-3100 • E-MAIL: ADMISSIONS@LEHIGH.EDU

WEBSITE: WWW.LEHIGH.EDU

### Student Body

**Enrollment:** 5,034. **Student Body:** Asian 8%, African American 4%, Caucasian 67%, Hispanic 8%, International 7%, Native American <1%.

### Admissions

62% in top 10% of high school class, 89% in top 25% of high school class, 99% in top 50% of high school class. ACT middle 50% range 28–32. SAT Math middle 50% range 640–740. SAT Critical Reading middle 50% range 590–670. Minimum paper TOEFL 570, minimum web-based TOEFL 90.

### Costs and Financial Aid

**Annual tuition:** \$44,520. **Room & board:** \$11,880. **Required fees:** \$370. **Average book expense:** \$1,000. 97% first-year, 97% undergrads receive need-based scholarship or grant aid. 98% first-year, 95% undergrads receive need-based self-help aid. 57% first-year, 59% undergrads receive any aid. 93% of first-year need met, 96% of undergrad need met. 52% undergrads borrow to pay for school. **Average cumulative indebtedness:** \$22,025.

**Engineering majors:** bioengineering and biomedical; chemical; civil; computer; electrical; mechanics; physics; environmental; materials; mechanical; industrial 28.3% of all Bachelor's Degrees awarded in Engineering.

**Computer science:** 6% of all Bachelor's Degrees awarded in Computer and Information Sciences.

## LETOURNEAU UNIVERSITY

PO BOX 7001, LONGVIEW, TX 75607-7001

PHONE: 903-233-4300 • E-MAIL: ADMISSIONS@LETU.EDU

WEBSITE: WWW.LETU.EDU

### Student Body

**Enrollment:** 2,015. **Student Body:** Asian 1%, African American 10%, Caucasian 66%, Hispanic 9%, International 4%, Native American <1%.

### Admissions

**Average high school GPA:** 3.59. 32% in top 10% of high school class, 56% in top 25% of high school class, 87% in top 50% of high school class. ACT middle 50% range 22–30. SAT Math middle 50% range 530–650. SAT Critical Reading middle 50% range 500–660. SAT Writing middle 50% range 470–610.

### Costs and Financial Aid

**Annual tuition:** \$26,390. **Room & board:** \$9,300. **Required fees:** \$520. **Average book expense:** \$1,520. 100% first-year, 100% undergrads receive need-based scholarship or grant aid. 98% first-year, 52% undergrads receive need-based self-help aid. 86% of first-year need met, 75% of undergrad need met. 77% undergrads borrow to pay for school. **Average cumulative indebtedness:** \$27,446.

**Engineering majors:** engineering; bioengineering and biomedical; civil; computer; electrical; physics; mechanical; metallurgical 14.3% of all Bachelor's Degrees awarded in Engineering.

**Computer science:** 1% of all Bachelor's Degrees awarded in Computer and Information Sciences.

## LIBERTY UNIVERSITY

1971 UNIVERSITY BLVD, LYNCHBURG, VA 24515

PHONE: 434-582-2000 • E-MAIL: ADMISSIONS@LIBERTY.EDU

WEBSITE: HTTPS://WWW.LIBERTY.EDU/

### Student Body

**Enrollment:** 12,577. **Student Body:** Asian 1%, African American 6%, Caucasian 67%, Hispanic 2%, International 6%, Native American <1%.

### Admissions

**Average high school GPA:** 3.39. 18% in top 10% of high school class, 42% in top 25% of high school class, 72% in top 50% of high school class. ACT middle 50% range 20–26. SAT Math middle 50% range 450–570. SAT Critical Reading middle 50% range 460–590. SAT Writing middle 50% range 450–570. Minimum paper TOEFL 500, minimum web-based TOEFL 60.

### Costs and Financial Aid

100% first-year, 100% undergrads receive need-based scholarship or grant aid. 98% first-year, 74% undergrads receive need-based self-help aid. 95% first-year, 87% undergrads receive any aid. 57% of first-year need met, 68% of undergrad need met. 66% undergrads borrow to pay for school. **Average cumulative indebtedness:** \$17,028.

**Engineering majors:** computer; computer software; electrical; industrial; 1.1% of all Bachelor's Degrees awarded in Engineering.

**Computer science:** 2% of all Bachelor's Degrees awarded in Computer and Information Sciences.

## LIPSCOMB UNIVERSITY

ONE UNIVERSITY PARK DR., NASHVILLE, TN 37204-3951

PHONE: 615-966-1776 • E-MAIL: ADMISSIONS@LIPSCOMB.EDU

WEBSITE: HTTP://WWW.LIPSCOMB.EDU

### Student Body

**Enrollment:** 2,875. **Student Body:** Asian 3%, African American 7%, Caucasian 77%, Hispanic 6%, International 2%, Native American <1%.

### Admissions

**Average high school GPA:** 3.55. 25% in top 10% of high school class, 51% in top 25% of high school class, 78% in top 50% of high school class. 70% from public high schools. ACT middle 50% range 23–29. SAT Math middle 50% range 518–620. SAT Critical Reading middle 50% range 510–640. Minimum paper TOEFL 550, minimum web-based TOEFL 80.

### Costs and Financial Aid

**Annual tuition:** \$22,978. **Room & board:** \$9,224. **Required fees:** \$1,676. **Average book expense:** \$1,500. 36% first-year, 36% undergrads receive need-based scholarship or grant aid. 33% first-year, 61% undergrads receive need-based self-help aid. 100% first-year, 75% undergrads receive any aid. 57% of first-year need met, 56% of undergrad need met. 61% undergrads borrow to pay for school. **Average cumulative indebtedness:** \$25,805.

**Number of students in Engineering program:** 160

**Engineering majors:** civil; computer; computer software; electrical; mechanical 3.1% of all Bachelor's Degrees awarded in Engineering.

**Computer science:** 2% of all Bachelor's Degrees awarded in Computer and Information Sciences.

## LOUISIANA STATE UNIVERSITY— BATON ROUGE

1146 PLEASANT HALL, BATON ROUGE, LA 70803

PHONE: 225-578-1175 • E-MAIL: ADMISSIONS@LSU.EDU

WEBSITE: WWW.LSU.EDU

### Student Body

**Enrollment:** 23,990. **Student Body:** Asian 3%, African American 11%, Caucasian 76%, Hispanic 5%, International 2%, Native American <1%.

### Admissions

**Average high school GPA:** 3.45. 25% in top 10% of high school class, 53% in top 25% of high school class, 82% in top 50% of high school class. 60% from public high schools. ACT middle 50% range 23–28. SAT Math middle 50% range 510–625. SAT Critical Reading middle 50% range 500–600. Minimum paper TOEFL 550, minimum web-based TOEFL 79.

### Costs and Financial Aid

**Annual in-state tuition:** \$6,678. **Annual out-of-state tuition:** \$24,395.  
**Room & board:** \$10,804. **Required fees:** \$2,072. **Average book expense:** \$1,500. 95% first-year, 95% undergrads receive need-based scholarship or grant aid. 87% first-year, 74% undergrads receive need-based self-help aid. 94% first-year, 81% undergrads receive any aid. 72% of first-year need met, 68% of undergrad need met. 39% undergrads borrow to pay for school. **Average cumulative indebtedness:** \$19,704.  
**Number of students in Engineering program:** 5,367  
**Engineering majors:** petroleum; environmental; mechanical; industrial; bioengineering and biomedical; chemical; civil; computer; electrical  
10.7% of all Bachelor's Degrees awarded in Engineering.  
**Computer science:** 1% of all Bachelor's Degrees awarded in Computer and Information Sciences.

## LOUISIANA STATE UNIVERSITY IN SHREVEPORT

ONE UNIVERSITY PLACE, SHREVEPORT, LA 71115-2399

PHONE: 318-797-5061 • E-MAIL: ADMISSIONS@PILOT.LSUS.EDU

WEBSITE: WWW.LSUS.EDU

### Student Body

**Enrollment:** 3,594. **Student Body:** Asian 2%, African American 22%, Caucasian 65%, Hispanic 2%, International 1%, Native American 1%.

### Admissions

**Average high school GPA:** 3.06. 90% from public high schools. ACT middle 50% range 18–23. Minimum paper TOEFL 500.

**Computer science:** 5% of all Bachelor's Degrees awarded in Computer and Information Sciences.

## LOUISIANA TECH UNIVERSITY

P. O. BOX 3178, RUSTON, LA 71272

PHONE: 318-257-3036 • E-MAIL: BULLDOG@LATECH.EDU

WEBSITE: WWW.LATECH.EDU

### Student Body

**Enrollment:** 7,047. **Student Body:** Asian 1%, African American 15%, Caucasian 68%, Hispanic 1%, International 4%, Native American <1%.

### Admissions

**Average high school GPA:** 3.43. 24% in top 10% of high school class, 51% in top 25% of high school class, 80% in top 50% of high school class. 82% from public high schools. ACT middle 50% range 21–26. SAT Math middle 50% range 490–600. SAT Critical Reading middle 50% range 450–590. Minimum paper TOEFL 570, minimum web-based TOEFL 88.

### Costs and Financial Aid

94% first-year, 94% undergrads receive need-based scholarship or grant aid. 89% first-year, 60% undergrads receive need-based self-help aid. 56% of first-year need met, 59% of undergrad need met. 58% undergrads borrow to pay for school. **Average cumulative indebtedness:** \$19,696.  
16% of all Bachelor's Degrees awarded in Engineering.

**Computer science:** 1% of all Bachelor's Degrees awarded in Computer and Information Sciences.

## LOYOLA MARYMOUNT UNIVERSITY

1 LMU DRIVE, LOS ANGELES, CA 90045-8350

PHONE: 310-338-2750 • E-MAIL: ADMISSIONS@LMU.EDU

WEBSITE: WWW.LMU.EDU

### Student Body

**Enrollment:** 6,064. **Student Body:** Asian 11%, African American 6%, Caucasian 47%, Hispanic 22%, International 7%, Native American <1%.

### Admissions

**Average high school GPA:** 3.75. 36% in top 10% of high school class, 74% in top 25% of high school class, 96% in top 50% of high school class. 51% from public high schools. ACT middle 50% range 25–30. SAT Math middle 50% range 560–660. SAT Critical Reading middle 50% range 540–640. SAT Writing middle 50% range 545–650. Minimum paper TOEFL 550, minimum web-based TOEFL 80.

### Costs and Financial Aid

**Annual tuition:** \$40,680. **Room & board:** \$13,690. **Required fees:** \$917. **Average book expense:** \$1,710. 98% first-year, 98% undergrads receive need-based scholarship or grant aid. 93% first-year, 79% undergrads receive need-based self-help aid. 95% first-year, 86% undergrads receive any aid. 63% of first-year need met, 65% of undergrad need met. 59% undergrads borrow to pay for school. **Average cumulative indebtedness:** \$22,802.  
**Number of students in Engineering program:** 369  
**Engineering majors:** civil; electrical; physics; mechanical  
4.7% of all Bachelor's Degrees awarded in Engineering.  
**Computer science:** 1% of all Bachelor's Degrees awarded in Computer and Information Sciences.

## LOYOLA UNIVERSITY MARYLAND

4501 NORTH CHARLES STREET, BALTIMORE, MD 21210

PHONE: 410-617-5012 • E-MAIL: ADMISSIONS@LOYOLA.EDU

WEBSITE: WWW.LOYOLA.EDU

### Student Body

**Enrollment:** 4,062. **Student Body:** Asian 3%, African American 5%, Caucasian 79%, Hispanic 9%, International 0%, Native American <1%.

### Admissions

**Average high school GPA:** 3.40. 27% in top 10% of high school class, 65% in top 25% of high school class, 87% in top 50% of high school class. 51% from public high schools. ACT middle 50% range 25–29. SAT Math middle 50% range 560–640. SAT Critical Reading middle 50% range 540–630. Minimum paper TOEFL 550, minimum web-based TOEFL 79.

### Costs and Financial Aid

92% first-year, 92% undergrads receive need-based scholarship or grant aid. 88% first-year, 90% undergrads receive need-based self-help aid. 75% first-year, 70% undergrads receive any aid. 94% of first-year need met, 91% of undergrad need met. 63% undergrads borrow to pay for school. **Average cumulative indebtedness:** \$25,505.

**Number of students in Engineering program:** 163

**Engineering majors:** engineering

1% of all Bachelor's Degrees awarded in Engineering.

**Computer science:** 2% of all Bachelor's Degrees awarded in Computer and Information Sciences.

## MAINE MARITIME ACADEMY

PLEASANT STREET, CASTINE, ME 04420

PHONE: 207-326-2206 • E-MAIL: ADMISSIONS@MMA.EDU

WEBSITE: WWW.MAINEMARITIME.EDU

### Student Body

**Enrollment:** 814. **Student Body:** Asian 1%, African American 0%, Caucasian 95%, Hispanic 1%, International 0%, Native American 1%.

### Admissions

28% in top 10% of high school class, 48% in top 25% of high school class, 74% in top 50% of high school class. Minimum paper TOEFL 550.

### Costs and Financial Aid

**Average book expense:** \$700.

9.5% of all Bachelor's Degrees awarded in Engineering.

## MANHATTAN COLLEGE

MANHATTAN COLLEGE PARKWAY, RIVERDALE, NY 10471

PHONE: 718-862-7200 • E-MAIL: ADMIT@MANHATTAN.EDU

WEBSITE: WWW.MANHATTAN.EDU

### Student Body

**Enrollment:** 3,471. **Student Body:** Asian 4%, African American 4%, Caucasian 56%, Hispanic 19%, International 3%, Native American <1%.

### Admissions

**Average high school GPA:** 88.96. 23% in top 10% of high school class, 52% in top 25% of high school class, 85% in top 50% of high school class. 57% from public high schools. ACT middle 50% range 22–27. SAT Math middle 50% range 500–610. SAT Critical Reading middle 50% range 490–580. SAT Writing middle 50% range 480–590. Minimum paper TOEFL 550, minimum web-based TOEFL 80.

### Costs and Financial Aid

**Annual tuition:** \$33,000. **Room & board:** \$13,080. **Required fees:** \$3,250. **Average book expense:** \$1,200. 100% first-year, 100% undergrads receive need-based scholarship or grant aid. 100% first-year, 71% undergrads receive need-based self-help aid. 88% first-year, 86% undergrads receive any aid. 69% of first-year need met, 67% of undergrad need met. 75% undergrads borrow to pay for school. **Average cumulative indebtedness:** \$25,762. **Number of students in Engineering program:** 828 **Engineering majors:** chemical; civil; computer; electrical; environmental; mechanical 27% of all Bachelor's Degrees awarded in Engineering. **Computer science:** 3% of all Bachelor's Degrees awarded in Computer and Information Sciences.

## MARIETTA COLLEGE

215 FIFTH STREET, MARIETTA, OH 45750  
**PHONE:** 740-376-4600 • **E-MAIL:** ADMIT@MARIETTA.EDU  
**WEBSITE:** WWW.MARIETTA.EDU

### Student Body

**Enrollment:** 1,470. **Student Body:** Asian 1%, African American 6%, Caucasian 71%, Hispanic 2%, International 12%, Native American <1%.

### Admissions

**Average high school GPA:** 3.45. 30% in top 10% of high school class, 56% in top 25% of high school class, 84% in top 50% of high school class. 89% from public high schools. ACT middle 50% range 21–26. SAT Math middle 50% range 490–610. SAT Critical Reading middle 50% range 480–610. SAT Writing middle 50% range 450–580. Minimum paper TOEFL 550, minimum web-based TOEFL 79.

### Costs and Financial Aid

**Annual tuition:** \$30,090. **Room & board:** \$9,560. **Required fees:** \$850. **Average book expense:** \$1,136. 98% first-year, 98% undergrads receive need-based scholarship or grant aid. 97% first-year, 86% undergrads receive need-based self-help aid. 98% first-year, 94% undergrads receive any aid. 88% of first-year need met, 87% of undergrad need met. 82% undergrads borrow to pay for school. **Average cumulative indebtedness:** \$22,130. **Number of students in Engineering program:** 309 **Engineering majors:** pre-engineering; physics; petroleum 12% of all Bachelor's Degrees awarded in Engineering. **Computer science:** 1% of all Bachelor's Degrees awarded in Computer and Information Sciences.

## MARQUETTE UNIVERSITY

PO BOX 1881, MILWAUKEE, WI 53201-1881  
**PHONE:** 414-288-7302 • **E-MAIL:** ADMISSIONS@MARQUETTE.EDU  
**WEBSITE:** WWW.MARQUETTE.EDU

### Student Body

**Enrollment:** 8,212. **Student Body:** Asian 5%, African American 4%, Caucasian 74%, Hispanic 10%, International 4%, Native American <1%.

### Admissions

32% in top 10% of high school class, 67% in top 25% of high school class, 94% in top 50% of high school class. 59% from public high schools. ACT middle 50% range 25–29. SAT Math middle 50% range 560–650. SAT Critical Reading middle 50% range 540–640. SAT Writing middle 50% range 520–620. Minimum paper TOEFL 530, minimum web-based TOEFL 78.

### Costs and Financial Aid

98% first-year, 98% undergrads receive need-based scholarship or grant aid. 98% first-year, 82% undergrads receive need-based self-help aid. 99% first-year, 99% undergrads receive any aid. 76% of first-year need met, 77% of undergrad need met. 63% undergrads borrow to pay for school. **Average cumulative indebtedness:** \$26,708. **Number of students in Engineering program:** 1,221 **Engineering majors:** bioengineering and biomedical; civil; computer; electrical; environmental; mechanical; construction 10.3% of all Bachelor's Degrees awarded in Engineering. **Computer science:** 3% of all Bachelor's Degrees awarded in Computer and Information Sciences.

## MARSHALL UNIVERSITY

ONE JOHN MARSHALL DRIVE, HUNTINGTON, WV 25755  
**PHONE:** 304-696-3160 • **E-MAIL:** ADMISSIONS@MARSHALL.EDU  
**WEBSITE:** WWW.MARSHALL.EDU

### Student Body

**Enrollment:** 8,871. **Student Body:** Asian 1%, African American 7%, Caucasian 85%, Hispanic 2%, International 1%, Native American <1%.

### Admissions

**Average high school GPA:** 3.40. ACT middle 50% range 19–25. SAT Math middle 50% range 440–550. SAT Critical Reading middle 50% range 430–550. Minimum paper TOEFL 500.

### Costs and Financial Aid

**Annual in-state tuition:** \$5,450. **Annual out-of-state tuition:** \$13,950. **Room & board:** \$9,546. **Required fees:** \$1,076. **Average book expense:** \$1,100. 79% first-year, 79% undergrads receive need-based scholarship or grant aid. 77% first-year, 75% undergrads receive need-based self-help aid. 51% of first-year need met, 50% of undergrad need met. 67% undergrads borrow to pay for school. **Average cumulative indebtedness:** \$25,401. **Engineering majors:** engineering 1.2% of all Bachelor's Degrees awarded in Engineering. **Computer science:** 1% of all Bachelor's Degrees awarded in Computer and Information Sciences.

## MASSACHUSETTS INSTITUTE OF TECHNOLOGY

77 MASSACHUSETTS AVENUE, CAMBRIDGE, MA 02139  
**PHONE:** 617-253-3400 • **E-MAIL:** ADMISSIONS@MIT.EDU  
**WEBSITE:** WEB.MIT.EDU

### Student Body

**Enrollment:** 4,476. **Student Body:** Asian 25%, African American 6%, Caucasian 37%, Hispanic 16%, International 10%, Native American <1%.

### Admissions

97% in top 10% of high school class, 100% in top 25% of high school class, 100% in top 50% of high school class. 67% from public high schools. ACT middle 50% range 33–35. SAT Math middle 50% range 740–800. SAT Critical Reading middle 50% range 680–770. SAT Writing middle 50% range 690–780. Minimum web-based TOEFL 90.

### Costs and Financial Aid

**Annual tuition:** \$44,720. **Room & board:** \$13,224. **Required fees:** \$296. **Average book expense:** \$1,000. 96% first-year, 96% undergrads receive need-based scholarship or grant aid. 96% first-year, 87% undergrads receive need-based self-help aid. 87% first-year, 75% undergrads receive any aid. 100% of first-year need met, 100% of undergrad need met. 41% undergrads borrow to pay for school. **Average cumulative indebtedness:** \$13,883. **Number of students in Engineering program:** 2,447 **Engineering majors:** aerospace, aeronautical and astronautical/space; bioengineering and biomedical; chemical; chemical and biomolecular; civil; electrical; environmental; materials; mechanical; nuclear 39% of all Bachelor's Degrees awarded in Engineering. **Computer science:** 17% of all Bachelor's Degrees awarded in Computer and Information Sciences.

## MCNEESE STATE UNIVERSITY

BOX 91740, LAKE CHARLES, LA 70609  
**PHONE:** 337-475-5504 • **E-MAIL:** ADMISSIONS@MCNEESE.EDU  
**WEBSITE:** WWW.MCNEESE.EDU

### Student Body

**Enrollment:** 6,735. **Student Body:** Asian 1%, African American 19%, Caucasian 71%, Hispanic 2%, International 4%, Native American 1%.

### Admissions

18% in top 10% of high school class, 41% in top 25% of high school class, 72% in top 50% of high school class. ACT middle 50% range 20–24. SAT Math middle 50% range 460–610. Minimum paper TOEFL 500, minimum web-based TOEFL 61. **Engineering majors:** engineering; mechanical 6% of all Bachelor's Degrees awarded in Engineering.

**Computer science:** 1% of all Bachelor's Degrees awarded in Computer and Information Sciences.

## MERCER UNIVERSITY—MACON

ADMISSIONS OFFICE, MACON, GA 31207-0001

PHONE: 478-301-2650 • E-MAIL: ADMISSIONS@MERCER.EDU

WEBSITE: WWW.MERCER.EDU

### Student Body

**Enrollment:** 2,663. **Student Body:** Asian 7%, African American 19%, Caucasian 58%, Hispanic 5%, International 4%, Native American <1%.

### Admissions

**Average high school GPA:** 3.75. 38% in top 10% of high school class, 70% in top 25% of high school class, 93% in top 50% of high school class. ACT middle 50% range 25–29. SAT Math middle 50% range 550–650. SAT Critical Reading middle 50% range 540–640. SAT Writing middle 50% range 510–610. Minimum paper TOEFL 550, minimum web-based TOEFL 80.

### Costs and Financial Aid

**Annual tuition:** \$33,480. **Room & board:** \$10,678. **Required fees:** \$300. **Average book expense:** \$1,200. 100% first-year, 100% undergrads receive need-based scholarship or grant aid. 99% first-year, 54% undergrads receive need-based self-help aid. 99% first-year, 97% undergrads receive any aid. 87% of first-year need met, 82% of undergrad need met. 64% undergrads borrow to pay for school. **Average cumulative indebtedness:** \$26,164. **Number of students in Engineering program:** 554. **Engineering majors:** engineering. 14% of all Bachelor's Degrees awarded in Engineering. **Computer science:** 3% of all Bachelor's Degrees awarded in Computer and Information Sciences.

## MERRIMACK COLLEGE

OFFICE OF ADMISSION, NORTH ANDOVER, MA 01845

PHONE: 978-837-5100 • E-MAIL: ADMISSION@MERRIMACK.EDU

WEBSITE: WWW.MERRIMACK.EDU

### Student Body

**Enrollment:** 2,722. **Student Body:** Asian 2%, African American 3%, Caucasian 67%, Hispanic 6%, International 6%, Native American <1%.

### Admissions

**Average high school GPA:** 2.91. 11% in top 10% of high school class, 34% in top 25% of high school class, 69% in top 50% of high school class. 73% from public high schools. Minimum paper TOEFL 550, minimum web-based TOEFL 80.

### Costs and Financial Aid

100% first-year, 100% undergrads receive need-based scholarship or grant aid. 98% first-year, 86% undergrads receive need-based self-help aid. 66% of first-year need met, 64% of undergrad need met. **Number of students in Engineering program:** 210. **Engineering majors:** engineering; civil; electrical; mechanical. 5% of all Bachelor's Degrees awarded in Engineering. **Computer science:** 1% of all Bachelor's Degrees awarded in Computer and Information Sciences.

## MESSIAH COLLEGE

ONE COLLEGE AVENUE, MECHANICSBURG, PA 17055

PHONE: 717-691-6000 • E-MAIL: ADMISSION@MESSIAH.EDU

WEBSITE: WWW.MESSIAH.EDU

### Student Body

**Enrollment:** 2,713. **Student Body:** Asian 2%, African American 2%, Caucasian 85%, Hispanic 4%, International 3%, Native American <1%.

### Admissions

**Average high school GPA:** 3.74. 29% in top 10% of high school class, 63% in top 25% of high school class, 89% in top 50% of high school class. 75% from public high schools. ACT middle 50% range 22–27. SAT Math middle 50% range 518–620. SAT Critical Reading middle 50% range 500–620. SAT Writing middle 50% range 490–600. Minimum paper TOEFL 550, minimum web-based TOEFL 80.

### Costs and Financial Aid

99% first-year, 99% undergrads receive need-based scholarship or grant aid. 99% first-year, 80% undergrads receive need-based self-help aid. 100% first-year, 98% undergrads receive any aid. 74% of first-year need met, 71% of undergrad need met. 71% undergrads borrow to pay for school. **Average cumulative indebtedness:** \$24,391. **Number of students in Engineering program:** 255. **Engineering majors:** engineering. 4.5% of all Bachelor's Degrees awarded in Engineering. **Computer science:** 2% of all Bachelor's Degrees awarded in Computer and Information Sciences.

## MIAMI UNIVERSITY

301 S. CAMPUS AVE., OXFORD, OH 45056

PHONE: 513-529-2531 • E-MAIL: ADMISSION@MIAMI.EDU

WEBSITE: HTTP://WWW.MIAMIOH.EDU/

### Student Body

**Enrollment:** 15,378. **Student Body:** Asian 2%, African American 4%, Caucasian 81%, Hispanic 3%, International 6%, Native American <1%.

### Admissions

**Average high school GPA:** 3.72. 39% in top 10% of high school class, 71% in top 25% of high school class, 96% in top 50% of high school class. 73% from public high schools. ACT middle 50% range 25–30. SAT Math middle 50% range 580–680. SAT Critical Reading middle 50% range 540–650. Minimum paper TOEFL 550, minimum web-based TOEFL 80.

### Costs and Financial Aid

**Annual in-state tuition:** \$13,533. **Annual out-of-state tuition:** \$29,640. **Room & board:** \$11,109. **Required fees:** \$754. **Average book expense:** \$1,250. 63% first-year, 63% undergrads receive need-based scholarship or grant aid. 66% first-year, 75% undergrads receive need-based self-help aid. 59% of first-year need met, 56% of undergrad need met. 54% undergrads borrow to pay for school. **Average cumulative indebtedness:** \$23,487. **Number of students in Engineering program:** 1,408. **Engineering majors:** engineering; biomedical/medical; bioengineering and biomedical; chemical; computer; electrical; physics; mechanical; manufacturing. 3.2% of all Bachelor's Degrees awarded in Engineering. **Computer science:** 1% of all Bachelor's Degrees awarded in Computer and Information Sciences.

## MICHIGAN STATE UNIVERSITY

250 ADMINISTRATION BUILDING, EAST LANSING, MI 48824-1046

PHONE: 517-355-8332 • E-MAIL: ADMIS@MSU.EDU

WEBSITE: WWW.MSU.EDU

### Student Body

**Enrollment:** 38,395. **Student Body:** Asian 4%, African American 7%, Caucasian 68%, Hispanic 4%, International 13%, Native American <1%.

### Admissions

**Average high school GPA:** 3.66. 31% in top 10% of high school class, 68% in top 25% of high school class, 95% in top 50% of high school class. ACT middle 50% range 23–28. SAT Math middle 50% range 540–690. SAT Critical Reading middle 50% range 430–580. SAT Writing middle 50% range 460–570. Minimum paper TOEFL 550, minimum web-based TOEFL 79.

### Costs and Financial Aid

**Annual in-state tuition:** \$13,200. **Annual out-of-state tuition:** \$34,965. **Room & board:** \$9,154. **Average book expense:** \$1,060. 68% first-year, 68% undergrads receive need-based scholarship or grant aid. 71% first-year, 82% undergrads receive need-based self-help aid. 45% first-year, 46% undergrads receive any aid. 63% of first-year need met, 62% of undergrad need met. 45% undergrads borrow to pay for school. **Engineering majors:** engineering; agricultural; chemical; civil; computer; electrical; materials; mechanical. 6.2% of all Bachelor's Degrees awarded in Engineering. **Computer science:** 1% of all Bachelor's Degrees awarded in Computer and Information Sciences.

# MICHIGAN TECHNOLOGICAL UNIVERSITY

1400 TOWNSEND DRIVE, HOUGHTON, MI 49931

PHONE: 906-487-2335 • E-MAIL: MTU4U@MTU.EDU

WEBSITE: WWW.MTU.EDU

## Student Body

**Enrollment:** 5,576. **Student Body:** Asian 1%, African American 1%, Caucasian 85%, Hispanic 2%, International 5%, Native American 1%.

## Admissions

**Average high school GPA:** 3.69. 31% in top 10% of high school class, 65% in top 25% of high school class, 91% in top 50% of high school class. 90% from public high schools. ACT middle 50% range 25–30. SAT Math middle 50% range 570–680. SAT Critical Reading middle 50% range 530–673. SAT Writing middle 50% range 498–633. Minimum paper TOEFL 550, minimum web-based TOEFL 79.

## Costs and Financial Aid

**Annual in-state tuition:** \$13,740. **Annual out-of-state tuition:** \$29,220.

**Room & board:** \$9,516. **Required fees:** \$300. **Average book expense:** \$1,200.

82% first-year, 82% undergrads receive need-based scholarship or grant aid. 77% first-year, 85% undergrads receive need-based self-help aid. 93% first-year, 92% undergrads receive any aid. 79% of first-year need met, 72% of undergrad need met. 73% undergrads borrow to pay for school. **Average cumulative indebtedness:** \$26,371.

**Number of students in Engineering program:** 3,732

**Engineering majors:** engineering; bioengineering and biomedical; chemical; civil; computer; computer software; electrical; environmental; materials; mechanical; surveying; geological/geophysical; electromechanical

59% of all Bachelor's Degrees awarded in Engineering.

**Computer science:** 7% of all Bachelor's Degrees awarded in Computer and Information Sciences.

# MIDDLE TENNESSEE STATE UNIVERSITY

COPE ADMINISTRATION BUILDING 208, MURFREESBORO, TN 37132

PHONE: 615-898-2111 • E-MAIL: ADMISSIONS@MTSU.EDU

WEBSITE: WWW.MTSU.EDU

## Student Body

**Enrollment:** 22,121. **Student Body:** Asian 3%, African American 19%, Caucasian 69%, Hispanic 4%, Native American <1%.

## Admissions

**Average high school GPA:** 3.31. 17% in top 10% of high school class, 42% in top 25% of high school class, 78% in top 50% of high school class. ACT middle 50% range 19–24. SAT Math middle 50% range 460–580. SAT Critical Reading middle 50% range 460–590. Minimum paper TOEFL 500.

## Costs and Financial Aid

65% first-year, 65% undergrads receive need-based scholarship or grant aid. 66% first-year, 67% undergrads receive need-based self-help aid. 67% of first-year need met, 55% of undergrad need met. 59% undergrads borrow to pay for school. **Average cumulative indebtedness:** \$21,224.

**Computer science:** 1% of all Bachelor's Degrees awarded in Computer and Information Sciences.

# MIDWESTERN STATE UNIVERSITY

3410 TAFT BLVD., WICHITA FALLS, TX 76308-2099

PHONE: 940-397-4334 • E-MAIL: ADMISSIONS@MWSU.EDU

WEBSITE: WWW.MWSU.EDU

## Student Body

**Enrollment:** 5,358. **Student Body:** Asian 4%, African American 13%, Caucasian 67%, Hispanic 9%, International 5%, Native American 1%.

## Admissions

**Average high school GPA:** 3.41. 12% in top 10% of high school class, 37% in top 25% of high school class, 73% in top 50% of high school class. 96% from public high schools. ACT middle 50% range 18–23. SAT Math middle 50% range 450–560. SAT Critical Reading middle 50% range 440–550. SAT Writing middle 50% range 440–540. Minimum paper TOEFL 550.

## Costs and Financial Aid

84% first-year, 84% undergrads receive need-based scholarship or grant aid. 83% first-year, 81% undergrads receive need-based self-help aid. 72% first-year,

76% undergrads receive any aid. 69% of first-year need met, 69% of undergrad need met. 54% undergrads borrow to pay for school. **Average cumulative indebtedness:** \$18,971.

**Number of students in Engineering program:** 714

**Engineering majors:** agricultural; bioengineering and biomedical; chemical; civil; computer; electrical; materials; mechanical; manufacturing

**Computer science:** 1% of all Bachelor's Degrees awarded in Computer and Information Sciences.

# MILLERSVILLE UNIVERSITY OF PENNSYLVANIA

P.O. Box 1002, MILLERSVILLE, PA 17551-0302

PHONE: 717-871-4625 • E-MAIL: ADMISSIONS@MILLERSVILLE.EDU

WEBSITE: WWW.MILLERSVILLE.EDU

## Student Body

**Enrollment:** 7,070. **Student Body:** Asian 2%, African American 10%, Caucasian 77%, Hispanic 8%, International 0%, Native American <1%.

## Admissions

13% in top 10% of high school class, 37% in top 25% of high school class, 73% in top 50% of high school class. ACT middle 50% range 19–23. SAT Math middle 50% range 460–560. SAT Critical Reading middle 50% range 460–550. SAT Writing middle 50% range 440–530. Minimum paper TOEFL 550, minimum web-based TOEFL 79.

## Costs and Financial Aid

**Annual in-state tuition:** \$7,920. **Annual out-of-state tuition:** \$21,300.

**Room & board:** \$11,380. **Required fees:** \$2,348. **Average book expense:** \$1,000. 73% first-year, 73% undergrads receive need-based scholarship or grant aid. 70% first-year, 86% undergrads receive need-based self-help aid. 86% first-year, 83% undergrads receive any aid. 79% of first-year need met, 69% of undergrad need met. 70% undergrads borrow to pay for school. **Average cumulative indebtedness:** \$24,883.

**Number of students in Engineering program:** 442

**Computer science:** 2% of all Bachelor's Degrees awarded in Computer and Information Sciences.

# MILWAUKEE SCHOOL OF ENGINEERING

1025 NORTH BROADWAY, MILWAUKEE, WI 53202-3109

PHONE: 414-277-6763 • E-MAIL: EXPLORE@MSOE.EDU

WEBSITE: WWW.MSOE.EDU

## Student Body

**Enrollment:** 2,596. **Student Body:** Asian 3%, African American 2%, Caucasian 69%, Hispanic 4%, International 12%, Native American <1%.

## Admissions

**Average high school GPA:** 3.62. 92% from public high schools. ACT middle 50% range 25–30. SAT Math middle 50% range 580–680. SAT Critical Reading middle 50% range 550–670. Minimum paper TOEFL 550, minimum web-based TOEFL 82.

## Costs and Financial Aid

**Annual tuition:** \$34,890. **Room & board:** \$8,613. **Required fees:** \$1,650.

**Average book expense:** \$1,200. 100% first-year, 100% undergrads receive need-based scholarship or grant aid. 100% first-year, 83% undergrads receive need-based self-help aid. 94% first-year, 93% undergrads receive any aid. 82% of first-year need met, 73% of undergrad need met. 85% undergrads borrow to pay for school. **Average cumulative indebtedness:** \$28,338.

**Number of students in Engineering program:** 1,976

**Engineering majors:** engineering; architectural; bioengineering and biomedical; chemical and biomolecular; civil; computer; computer software; electrical; mechanical; industrial; operations research

68% of all Bachelor's Degrees awarded in Engineering.

# MINNESOTA STATE UNIVERSITY, MANKATO

122 TAYLOR CENTER, MANKATO, MN 56001

PHONE: 507-389-1822 • E-MAIL: ADMISSIONS@MNSU.EDU

WEBSITE: WWW.MNSU.EDU

## Student Body

**Enrollment:** 12,292. **Student Body:** Asian 4%, African American 5%, Caucasian 78%, Hispanic 4%, International 5%, Native American <1%.



### Admissions

**Average high school GPA:** 3.21. 7% in top 10% of high school class, 24% in top 25% of high school class, 67% in top 50% of high school class. 95% from public high schools. ACT middle 50% range 19–24. Minimum paper TOEFL 500, minimum web-based TOEFL 61.

### Costs and Financial Aid

**Annual in-state tuition:** \$6,668. **Annual out-of-state tuition:** \$15,052. **Room & board:** \$8,042. **Required fees:** \$906. **Average book expense:** \$910. 78% first-year, 78% undergrads receive need-based scholarship or grant aid. 73% first-year, 98% undergrads receive need-based self-help aid. 67% first-year, 72% undergrads receive any aid. 71% of first-year need met, 72% of undergrad need met. **Number of students in Engineering program:** 823 **Engineering majors:** engineering; civil; computer; computer software; electrical; mechanical  
3.2% of all Bachelor's Degrees awarded in Engineering. **Computer science:** 2% of all Bachelor's Degrees awarded in Computer and Information Sciences.

## MISSISSIPPI STATE UNIVERSITY

P. O. Box 6334, MISSISSIPPI STATE, MS 39762  
**PHONE:** 662-325-2224 • **E-MAIL:** ADMIT@MSSTATE.EDU  
**WEBSITE:** WWW.MSSTATE.EDU

### Student Body

**Enrollment:** 15,786. **Student Body:** Asian 1%, African American 20%, Caucasian 72%, Hispanic 2%, International 2%, Native American 1%.

### Admissions

**Average high school GPA:** 3.35. 28% in top 10% of high school class, 54% in top 25% of high school class, 81% in top 50% of high school class. ACT middle 50% range 21–28. SAT Math middle 50% range 500–640. SAT Critical Reading middle 50% range 490–630. Minimum paper TOEFL 525, minimum web-based TOEFL 71.

### Costs and Financial Aid

**Annual in-state tuition:** \$7,140. **Annual out-of-state tuition:** \$18,478. **Room & board:** \$8,954. **Average book expense:** \$1,200. 91% first-year, 91% undergrads receive need-based scholarship or grant aid. 87% first-year, 76% undergrads receive need-based self-help aid. 60% of first-year need met, 60% of undergrad need met. 53% undergrads borrow to pay for school. **Average cumulative indebtedness:** \$29,355. **Number of students in Engineering program:** 2,512 **Engineering majors:** engineering; aerospace, aeronautical and astronautical; space; agricultural; bioengineering and biomedical; chemical; civil; computer; electrical; mechanics; mechanical; industrial  
12.9% of all Bachelor's Degrees awarded in Engineering. **Computer science:** 1% of all Bachelor's Degrees awarded in Computer and Information Sciences.

## MISSISSIPPI VALLEY STATE UNIVERSITY

14000 HIGHWAY 82 WEST, ITTA BENA, MS 38941-1400  
**PHONE:** 662-254-3344 • **E-MAIL:** NBTAYLOR@MVSVU.EDU  
**WEBSITE:** WWW.MVSVU.EDU

### Student Body

**Enrollment:** 2,357. **Student Body:** Asian 0%, African American 93%, Caucasian 4%, Hispanic 1%, International 0%, Native American <1%.

### Admissions

**Average high school GPA:** 2.58. 0% in top 10% of high school class, 96% from public high schools. ACT middle 50% range 15–19. Minimum paper TOEFL 525.

### Costs and Financial Aid

**Average book expense:** \$1,400. 95% first-year, 95% undergrads receive any aid. **Number of students in Engineering program:** 67

## MISSOURI SOUTHERN STATE UNIVERSITY—JOPLIN

3950 E. NEWMAN ROAD, JOPLIN, MO 64801-1595  
**PHONE:** 417-625-9378 • **E-MAIL:** ADMISSIONS@MSSU.EDU

### Student Body

**Enrollment:** 5,135. **Student Body:** Asian 1%, African American 3%, Caucasian 89%, Hispanic 2%, International 1%, Native American 3%.

### Admissions

17% in top 10% of high school class, 40% in top 25% of high school class, 72% in top 50% of high school class. 98% from public high schools. ACT middle 50% range 17–19. Minimum paper TOEFL 535.

### Costs and Financial Aid

**Average book expense:** \$600. **Number of students in Engineering program:** 31 **Engineering majors:** engineering  
**Computer science:** 2% of all Bachelor's Degrees awarded in Computer and Information Sciences.

## MISSOURI STATE UNIVERSITY

901 S. NATIONAL, SPRINGFIELD, MO 65897  
**PHONE:** 417-836-5517 • **E-MAIL:** INFO@MISSOURISTATE.EDU  
**WEBSITE:** WWW.MISSOURISTATE.EDU

### Student Body

**Enrollment:** 14,463. **Student Body:** Asian 1%, African American 2%, Caucasian 77%, Hispanic 1%, International 2%, Native American 1%.

### Admissions

**Average high school GPA:** 3.57. 22% in top 10% of high school class, 49% in top 25% of high school class, 81% in top 50% of high school class. ACT middle 50% range 21–26. Minimum paper TOEFL 500.

### Costs and Financial Aid

**Annual in-state tuition:** \$4,920. **Annual out-of-state tuition:** \$9,840. **Room & board:** \$5,294. **Required fees:** \$534. **Average book expense:** \$800. 78% first-year, 78% undergrads receive need-based scholarship or grant aid. 67% first-year, 78% undergrads receive need-based self-help aid. 62% of first-year need met, 58% of undergrad need met. 66% undergrads borrow to pay for school. **Engineering majors:** physics  
2% of all Bachelor's Degrees awarded in Engineering. **Computer science:** 1% of all Bachelor's Degrees awarded in Computer and Information Sciences.

## MISSOURI UNIVERSITY OF SCIENCE AND TECHNOLOGY

300 W. 13TH STREET; 106 PARKER HALL, ROLLA, MO 65409-1060  
**PHONE:** 573-341-4165 • **E-MAIL:** ADMISSIONS@MST.EDU  
**WEBSITE:** WWW.MST.EDU

### Student Body

**Enrollment:** 6,415. **Student Body:** Asian 3%, African American 4%, Caucasian 81%, Hispanic 2%, International 7%, Native American <1%.

### Admissions

**Average high school GPA:** 3.50. 40% in top 10% of high school class, 72% in top 25% of high school class, 95% in top 50% of high school class. 85% from public high schools. ACT middle 50% range 26–31. SAT Math middle 50% range 600–700. SAT Critical Reading middle 50% range 535–670. Minimum paper TOEFL 550, minimum web-based TOEFL 79.

### Costs and Financial Aid

**Annual in-state tuition:** \$7,672. **Annual out-of-state tuition:** \$22,482. **Room & board:** \$9,396. **Required fees:** \$774. **Average book expense:** \$896. 95% first-year, 95% undergrads receive need-based scholarship or grant aid. 91% first-year, 29% undergrads receive need-based self-help aid. 91% first-year, 85% undergrads receive any aid. 28% of first-year need met, 36% of undergrad need met. 47% undergrads borrow to pay for school. **Average cumulative indebtedness:** \$23,416.

**Engineering majors:** engineering; aerospace, aeronautical and astronautical/space; architectural; ceramic sciences; chemical; civil; structural; water resources; computer; electrical; mechanics; environmental; materials; mechanical; metallurgical; mining and mineral; nuclear; petroleum; polymer/plastics; construction; industrial; geological/geophysical  
66% of all Bachelor's Degrees awarded in Engineering.  
**Computer science:** 9% of all Bachelor's Degrees awarded in Computer and Information Sciences.

## MISSOURI WESTERN STATE COLLEGE

4525 DOWNS DRIVE, SAINT JOSEPH, MO 64507  
PHONE: 816-271-4266 • E-MAIL: ADMISSION@MWSC.EDU  
WEBSITE: WWW.MWSC.EDU

### Student Body

**Enrollment:** 4,652. **Student Body:** Asian 1%, African American 11%, Caucasian 85%, Hispanic 2%, International 0%, Native American 1%.

### Admissions

8% in top 10% of high school class, 25% in top 25% of high school class, 55% in top 50% of high school class. 95% from public high schools. ACT middle 50% range 16–22. Minimum paper TOEFL 500.

### Costs and Financial Aid

**Annual in-state tuition:** \$4,098. **Annual out-of-state tuition:** \$7,674. **Room & board:** \$4,058. **Required fees:** \$366. **Average book expense:** \$700. 66% first-year, 66% undergrads receive need-based scholarship or grant aid. 67% first-year, 79% undergrads receive need-based self-help aid. 15% of first-year need met, 18% of undergrad need met. 68% undergrads borrow to pay for school.  
2% of all Bachelor's Degrees awarded in Engineering.  
**Computer science:** 4% of all Bachelor's Degrees awarded in Computer and Information Sciences.

## MONMOUTH UNIVERSITY (NJ)

ADMISSION, MONMOUTH UNIVERSITY, WEST LONG BRANCH, NJ 07764-1898  
PHONE: 732-571-3456 • E-MAIL: ADMISSION@MONMOUTH.EDU  
WEBSITE: WWW.MONMOUTH.EDU

### Student Body

**Enrollment:** 4,584. **Student Body:** Asian 3%, African American 5%, Caucasian 76%, Hispanic 10%, International 1%, Native American <1%.

### Admissions

**Average high school GPA:** 3.37. 19% in top 10% of high school class, 49% in top 25% of high school class, 81% in top 50% of high school class. 85% from public high schools. ACT middle 50% range 22–25. SAT Math middle 50% range 490–580. SAT Critical Reading middle 50% range 470–560. SAT Writing middle 50% range 480–580. Minimum paper TOEFL 550, minimum web-based TOEFL 79.

### Costs and Financial Aid

**Annual tuition:** \$31,682. **Room & board:** \$11,798. **Required fees:** \$628. **Average book expense:** \$1,100. 60% first-year, 60% undergrads receive need-based scholarship or grant aid. 52% first-year, 84% undergrads receive need-based self-help aid. 99% first-year, 97% undergrads receive any aid. 68% of first-year need met, 69% of undergrad need met. 77% undergrads borrow to pay for school. **Average cumulative indebtedness:** \$30,385.  
**Number of students in Engineering program:** 72  
**Engineering majors:** computer software  
1% of all Bachelor's Degrees awarded in Engineering.  
**Computer science:** 1% of all Bachelor's Degrees awarded in Computer and Information Sciences.

## MONTANA STATE UNIVERSITY

PO Box 172190, BOZEMAN, MT 59717-2190  
PHONE: 406-994-2452 • E-MAIL: ADMISSIONS@MONTANA.EDU  
WEBSITE: HTTP://WWW.MONTANA.EDU

### Student Body

**Enrollment:** 13,132. **Student Body:** Asian 0%, African American 1%, Caucasian 1%, Hispanic 3%, International 3%, Native American 1%.

### Admissions

**Average high school GPA:** 3.30. 19% in top 10% of high school class, 44% in top 25% of high school class, 72% in top 50% of high school class. ACT middle 50% range 21–27. SAT Math middle 50% range 510–630. SAT Critical Reading middle 50% range 500–630. SAT Writing middle 50% range 490–600. Minimum paper TOEFL 525, minimum web-based TOEFL 71.

### Costs and Financial Aid

**Annual in-state tuition:** \$5,330. **Annual out-of-state tuition:** \$19,157. **Room & board:** \$8,220. **Required fees:** \$1,491. **Average book expense:** \$1,200. 77% first-year, 77% undergrads receive need-based scholarship or grant aid. 73% first-year, 79% undergrads receive need-based self-help aid. 55% first-year, 52% undergrads receive any aid. 85% of first-year need met, 72% of undergrad need met. 65% undergrads borrow to pay for school. **Average cumulative indebtedness:** \$25,253.  
**Number of students in Engineering program:** 3,033  
**Engineering majors:** engineering; chemical; civil; computer; electrical; mechanical; industrial  
11% of all Bachelor's Degrees awarded in Engineering.  
**Computer science:** 1% of all Bachelor's Degrees awarded in Computer and Information Sciences.

## MONTANA TECH OF THE UNIVERSITY OF MONTANA

1300 WEST PARK STREET, BUTTE, MT 59701  
PHONE: 406-496-4256 • E-MAIL: ENROLLMENT@MTECH.EDU  
WEBSITE: WWW.MTECH.EDU

### Student Body

**Enrollment:** 2,437. **Student Body:** Asian 1%, African American 1%, Caucasian 81%, Hispanic 2%, International 9%, Native American 2%.

### Admissions

**Average high school GPA:** 3.48. 24% in top 10% of high school class, 57% in top 25% of high school class, 85% in top 50% of high school class. ACT middle 50% range 22–27. SAT Math middle 50% range 540–630. SAT Critical Reading middle 50% range 490–590. SAT Writing middle 50% range 450–560. Minimum paper TOEFL 525, minimum web-based TOEFL 71.

### Costs and Financial Aid

**Annual in-state tuition:** \$6,494. **Annual out-of-state tuition:** \$19,147. **Room & board:** \$8,238. **Average book expense:** \$1,050. 90% first-year, 90% undergrads receive need-based scholarship or grant aid. 89% first-year, 80% undergrads receive need-based self-help aid. 72% first-year, 67% undergrads receive any aid. 68% of first-year need met, 63% of undergrad need met. 85% undergrads borrow to pay for school. **Average cumulative indebtedness:** \$23,315.  
**Number of students in Engineering program:** 1,070  
**Engineering majors:** engineering; computer software; electrical; environmental; metallurgical; mining and mineral; petroleum; geological/geophysical  
61% of all Bachelor's Degrees awarded in Engineering.  
**Computer science:** 5% of all Bachelor's Degrees awarded in Computer and Information Sciences.

## MORGAN STATE UNIVERSITY

1700 EAST COLD SPRING LANE, BALTIMORE, MD 21251  
PHONE: 800-332-6674 • E-MAIL: TJENNESS@MOAC.MORGAN.EDU  
WEBSITE: WWW.MORGAN.EDU

### Admissions

10% in top 10% of high school class, 80% in top 25% of high school class, 96% in top 50% of high school class. 82% from public high schools. Minimum paper TOEFL 570, minimum web-based TOEFL 88.

### Costs and Financial Aid

**Required fees:** \$762. **Average book expense:** \$1,500.

# MURRAY STATE UNIVERSITY

102 CURRIS CENTER, MURRAY, KY 42071-0009

PHONE: 270-809-3741 • E-MAIL: MSU.ADMISSIONS@MURRAYSTATE.EDU

WEBSITE: WWW.MURRAYSTATE.EDU

## Student Body

**Enrollment:** 8,126. **Student Body:** Asian 1%, African American 8%, Caucasian 82%, Hispanic 2%, International 4%, Native American <1%.

## Admissions

**Average high school GPA:** 3.40. 18% in top 10% of high school class, 43% in top 25% of high school class, 77% in top 50% of high school class. ACT middle 50% range 20–26. SAT Math middle 50% range 460–560. SAT Critical Reading middle 50% range 430–550. Minimum paper TOEFL 527, minimum web-based TOEFL 71.

## Costs and Financial Aid

**Annual in-state tuition:** \$6,360. **Annual out-of-state tuition:** \$10,073. **Room & board:** \$7,912. **Required fees:** \$1,032. **Average book expense:** \$1,314. 91% first-year, 91% undergrads receive need-based scholarship or grant aid. 84% first-year, 77% undergrads receive need-based self-help aid. 94% first-year, 76% undergrads receive any aid. 34% of first-year need met, 29% of undergrad need met. 47% undergrads borrow to pay for school. **Average cumulative indebtedness:** \$24,108. **Number of students in Engineering program:** 771. **Engineering majors:** physics. 0.5% of all Bachelor's Degrees awarded in Engineering. **Computer science:** 3% of all Bachelor's Degrees awarded in Computer and Information Sciences.

# MUSKINGUM UNIVERSITY

163 STORMONT STREET, NEW CONCORD, OH 43762

PHONE: 740-826-8137 • E-MAIL: JZELLERS@MUSKINGUM.EDU

## Student Body

**Enrollment:** 1,641. **Student Body:** Asian 0%, African American 6%, Caucasian 82%, Hispanic 2%, International 4%, Native American <1%.

## Admissions

**Average high school GPA:** 3.10. 28% in top 10% of high school class, 43% in top 25% of high school class, 70% in top 50% of high school class. 92% from public high schools. ACT middle 50% range 18–24. SAT Math middle 50% range 420–540. SAT Critical Reading middle 50% range 400–520. SAT Writing middle 50% range 380–500. Minimum paper TOEFL 550, minimum web-based TOEFL 79.

## Costs and Financial Aid

**Annual tuition:** \$24,000. **Room & board:** \$9,760. **Required fees:** \$1,066. **Average book expense:** \$1,100. 100% first-year, 100% undergrads receive need-based scholarship or grant aid. 100% first-year, 87% undergrads receive need-based self-help aid. 98% first-year, 98% undergrads receive any aid. 76% of first-year need met, 75% of undergrad need met. 80% undergrads borrow to pay for school. **Average cumulative indebtedness:** \$25,685. **Number of students in Engineering program:** 20. **Engineering majors:** engineering; science. 1% of all Bachelor's Degrees awarded in Engineering. **Computer science:** 1% of all Bachelor's Degrees awarded in Computer and Information Sciences.

# NEW JERSEY INSTITUTE OF TECHNOLOGY

OFFICE OF UNIVERSITY ADMISSIONS, NEWARK, NJ 07102

PHONE: 973-596-3300 • E-MAIL: ADMISSIONS@NJIT.EDU

WEBSITE: WWW.NJIT.EDU

## Student Body

**Enrollment:** 6,154. **Student Body:** Asian 21%, African American 9%, Caucasian 37%, Hispanic 15%, International 5%, Native American <1%.

## Admissions

20% in top 10% of high school class, 52% in top 25% of high school class, 85% in top 50% of high school class. 85% from public high schools. SAT Math middle 50% range 550–660. SAT Critical Reading middle 50% range 470–600. SAT Writing middle 50% range 470–590. Minimum paper TOEFL 550, minimum web-based TOEFL 79.

## Costs and Financial Aid

**Annual in-state tuition:** \$11,756. **Annual out-of-state tuition:** \$23,116. **Room & board:** \$11,000. **Required fees:** \$2,218. **Average book expense:** \$1,900. 63% first-year, 63% undergrads receive need-based scholarship or grant aid. 70% first-year, 67% undergrads receive need-based self-help aid. 87% first-year, 72% undergrads receive any aid. 61% undergrads borrow to pay for school. **Average cumulative indebtedness:** \$20,246. **Number of students in Engineering program:** 4,010. **Engineering majors:** bioengineering and biomedical; chemical; civil; transportation and highway; computer; computer software; electrical; science; environmental; materials; mechanical; industrial; manufacturing; geological/geophysical; systems. 35.1% of all Bachelor's Degrees awarded in Engineering. **Computer science:** 16% of all Bachelor's Degrees awarded in Computer and Information Sciences.

# NEW MEXICO INSTITUTE OF MINING AND TECHNOLOGY

CAMPUS STATION, SOCORRO, NM 87801

PHONE: 575-835-5424 • E-MAIL: ADMISSION@ADMIN.NMT.EDU

WEBSITE: WWW.NMT.EDU

## Student Body

**Enrollment:** 1,525. **Student Body:** Asian 3%, African American 2%, Caucasian 56%, Hispanic 28%, International 4%, Native American 3%.

## Admissions

**Average high school GPA:** 3.64. 36% in top 10% of high school class, 64% in top 25% of high school class, 86% in top 50% of high school class. 80% from public high schools. ACT middle 50% range 23–29. SAT Math middle 50% range 570–670. SAT Critical Reading middle 50% range 550–640. Minimum paper TOEFL 540.

## Costs and Financial Aid

**Annual in-state tuition:** \$5,298. **Annual out-of-state tuition:** \$17,226. **Room & board:** \$7,336. **Required fees:** \$958. **Average book expense:** \$1,066. 61% first-year, 61% undergrads receive need-based scholarship or grant aid. 63% first-year, 62% undergrads receive need-based self-help aid. 70% of first-year need met, 74% of undergrad need met. 43% undergrads borrow to pay for school. **Average cumulative indebtedness:** \$19,367. **Number of students in Engineering program:** 1,018. **Engineering majors:** chemical; civil; electrical; mechanics; environmental; materials; mechanical; mining and mineral; petroleum; electrical; mechanical. 65% of all Bachelor's Degrees awarded in Engineering. **Computer science:** 7% of all Bachelor's Degrees awarded in Computer and Information Sciences.

# NEW MEXICO STATE UNIVERSITY

BOX 30001, LAS CRUCES, NM 88003-8001

PHONE: 575-646-3121 • E-MAIL: ADMISSIONS@NMSU.EDU

WEBSITE: WWW.NMSU.EDU

## Student Body

**Enrollment:** 12,886. **Student Body:** Asian 1%, African American 3%, Caucasian 32%, Hispanic 52%, International 4%, Native American 2%.

## Admissions

**Average high school GPA:** 3.39. 21% in top 10% of high school class, 47% in top 25% of high school class, 80% in top 50% of high school class. ACT middle 50% range 18–24. SAT Math middle 50% range 430–530. SAT Critical Reading middle 50% range 410–540. SAT Writing middle 50% range 400–520. Minimum paper TOEFL 500.

## Costs and Financial Aid

**Average book expense:** \$1,084. 98% first-year, 98% undergrads receive need-based scholarship or grant aid. 94% first-year, 68% undergrads receive need-based self-help aid. 67% of first-year need met, 65% of undergrad need met. 55% undergrads borrow to pay for school. **Average cumulative indebtedness:** \$19,366. **Engineering majors:** chemical; civil; electrical; environmental; mechanical; industrial; surveying; geological/geophysical. 8% of all Bachelor's Degrees awarded in Engineering. **Computer science:** 7% of all Bachelor's Degrees awarded in Computer and Information Sciences.

## NEW YORK INSTITUTE OF TECHNOLOGY

PO Box 8000, Old Westbury, NY 11568

PHONE: 516-686-7520 • E-MAIL: ADMISSIONS@NYIT.EDU

WEBSITE: WWW.NYIT.EDU

### Student Body

**Enrollment:** 5,141. **Student Body:** Asian 10%, African American 11%, Caucasian 33%, Hispanic 10%, International 7%, Native American <1%.

### Admissions

**Average high school GPA:** 3.10. 0% in top 10% of high school class, 0% in top 25% of high school class, 0% in top 50% of high school class. 60% from public high schools. ACT middle 50% range 20–27. SAT Math middle 50% range 510–630. SAT Critical Reading middle 50% range 470–580. Minimum paper TOEFL 550.

### Costs and Financial Aid

**Annual tuition:** \$16,926. **Room & board:** \$7,780. **Required fees:** \$300.

**Average book expense:** \$1,200. 66% first-year, 66% undergrads receive need-based scholarship or grant aid. 85% first-year, 89% undergrads receive need-based self-help aid. 75% undergrads borrow to pay for school.

**Engineering majors:** electrical; mechanical

9% of all Bachelor's Degrees awarded in Engineering.

**Computer science:** 8% of all Bachelor's Degrees awarded in Computer and Information Sciences.

## NICHOLLS STATE UNIVERSITY

P.O. Box 2004, Thibodaux, LA 70310

PHONE: 985-448-4507 • E-MAIL: NICHOLLS@NICHOLLS.EDU

WEBSITE: WWW.NICHOLLS.EDU

### Student Body

**Enrollment:** 6,246. **Student Body:** Asian 1%, African American 18%, Caucasian 73%, Hispanic 1%, International 2%, Native American 2%.

### Admissions

**Average high school GPA:** 3.17. 18% in top 10% of high school class, 43% in top 25% of high school class, 73% in top 50% of high school class. 68% from public high schools. ACT middle 50% range 24–20. Minimum paper TOEFL 500, minimum web-based TOEFL 61.

### Costs and Financial Aid

**Annual in-state tuition:** \$2,231. **Annual out-of-state tuition:** \$7,679. **Room & board:** \$4,556. **Required fees:** \$1,364. **Average book expense:** \$1,200.

93% first-year, 93% undergrads receive need-based scholarship or grant aid. 86% first-year, 69% undergrads receive need-based self-help aid. 77% first-year, 74% undergrads receive any aid. 94% of first-year need met, 89% of undergrad need met.

**Number of students in Engineering program:** 94

**Engineering majors:** Engineering

**Computer science:** 1% of all Bachelor's Degrees awarded in Computer and Information Sciences.

## NORTHEASTERN UNIVERSITY

360 HUNTINGTON AVENUE, BOSTON, MA 02115

PHONE: 617-373-2200 • E-MAIL: ADMISSIONS@NEU.EDU

WEBSITE: WWW.NORTHEASTERN.EDU

### Student Body

**Enrollment:** 17,382. **Student Body:** Asian 11%, African American 3%, Caucasian 50%, Hispanic 7%, International 18%, Native American <1%.

### Admissions

66% in top 10% of high school class, 92% in top 25% of high school class, 99% in top 50% of high school class. ACT middle 50% range 31–33. SAT Math middle 50% range 680–760. SAT Critical Reading middle 50% range 660–740. SAT Writing middle 50% range 640–730. Minimum web-based TOEFL 92.

### Costs and Financial Aid

**Annual tuition:** \$42,534. **Room & board:** \$14,570. **Required fees:** \$906.

**Average book expense:** \$1,000.

**Engineering majors:** engineering; chemical; civil; computer; electrical; mechanical; industrial

14.8% of all Bachelor's Degrees awarded in Engineering.

**Computer science:** 3% of all Bachelor's Degrees awarded in Computer and Information Sciences.

## NORTHERN ARIZONA UNIVERSITY

PO Box 4084, Flagstaff, AZ 86011-4084

PHONE: 928-523-5511 • E-MAIL: ADMISSIONS@NAU.EDU

WEBSITE: WWW.NAU.EDU

### Student Body

**Enrollment:** 23,705. **Student Body:** Asian 2%, African American 3%, Caucasian 61%, Hispanic 20%, International 5%, Native American 3%.

### Admissions

**Average high school GPA:** 3.49. 21% in top 10% of high school class, 50% in top 25% of high school class, 83% in top 50% of high school class. ACT middle 50% range 20–25. SAT Math middle 50% range 460–570. SAT Critical Reading middle 50% range 470–580. SAT Writing middle 50% range 450–560. Minimum paper TOEFL 525, minimum web-based TOEFL 70.

### Costs and Financial Aid

**Annual in-state tuition:** \$9,120. **Annual out-of-state tuition:** \$21,640.

**Room & board:** \$9,020. **Required fees:** \$870. **Average book expense:** \$1,000. 69% first-year, 69% undergrads receive need-based scholarship or grant aid. 71% first-year, 71% undergrads receive need-based self-help aid. 62% first-year, 65% undergrads receive any aid. 63% of first-year need met, 63% of undergrad need met. 65% undergrads borrow to pay for school. **Average cumulative indebtedness:** \$22,422.

**Number of students in Engineering program:** 1,646

**Engineering majors:** civil; electrical; environmental; mechanical;

4.1% of all Bachelor's Degrees awarded in Engineering.

**Computer science:** 1% of all Bachelor's Degrees awarded in Computer and Information Sciences.

## NORTHERN ILLINOIS UNIVERSITY

OFFICE OF ADMISSIONS, DeKalb, IL 60115-2857

PHONE: 815-753-0446 • E-MAIL: ADMISSIONS-INFO@NIU.EDU

WEBSITE: WWW.REG.NIU.EDU

### Student Body

**Enrollment:** 28,551. **Student Body:** Asian 3%, African American 9%, Caucasian 35%, Hispanic 7%, International 1%, Native American <1%.

### Admissions

11% in top 10% of high school class, 33% in top 25% of high school class, 70% in top 50% of high school class. ACT middle 50% range 19–25. Minimum paper TOEFL 525.

### Costs and Financial Aid

**Room & board:** \$10,648. **Average book expense:** \$1,400. 96% first-year, 96% undergrads receive need-based scholarship or grant aid. 74% first-year, 88% undergrads receive need-based self-help aid. 78% first-year, 68% undergrads receive any aid. 69% of first-year need met, 60% of undergrad need met. 72% undergrads borrow to pay for school. **Average cumulative indebtedness:** \$24,769.

**Number of students in Engineering program:** 1,005

**Engineering majors:** electrical; mechanical; industrial

3% of all Bachelor's Degrees awarded in Engineering.

**Computer science:** 2% of all Bachelor's Degrees awarded in Computer and Information Sciences.

## NORTHERN KENTUCKY UNIVERSITY

ADMINISTRATIVE CENTER 401, Highland Heights, KY 41099

PHONE: 859-572-5100 • E-MAIL: ADMITNKU@NKU.EDU

WEBSITE: WWW.NKU.EDU

### Student Body

**Enrollment:** 12,658. **Student Body:** Asian 1%, African American 7%, Caucasian 84%, Hispanic 2%, International 1%, Native American <1%.

### Admissions

**Average high school GPA:** 3.10. 9% in top 10% of high school class, 29% in top 25% of high school class, 63% in top 50% of high school class. ACT middle 50% range 19–24. SAT Math middle 50% range 435–555. SAT Critical Reading middle 50% range 430–550. Minimum paper TOEFL 500, minimum web-based TOEFL 61.

### Costs and Financial Aid

53% first-year, 53% undergrads receive need-based scholarship or grant aid. 52% first-year, 89% undergrads receive need-based self-help aid. 66% first-year,

57% undergrads receive any aid. 61% of first-year need met, 53% of undergrad need met. 69% undergrads borrow to pay for school. **Average cumulative indebtedness:** \$19,412.  
**Computer science:** 2% of all Bachelor's Degrees awarded in Computer and Information Sciences.

## NORTHERN MICHIGAN UNIVERSITY

1401 PRESQUE ISLE AVENUE, MARQUETTE, MI 49855

PHONE: 906-227-2650 • E-MAIL: [ADMISS@NMU.EDU](mailto:ADMISS@NMU.EDU)

WEBSITE: [WWW.NMU.EDU](http://WWW.NMU.EDU)

### Student Body

**Enrollment:** 7,977. **Student Body:** Asian 1%, African American 2%, Caucasian 81%, Hispanic 1%, International 1%, Native American 2%.

### Admissions

**Average high school GPA:** 3.13. ACT middle 50% range 19–24. Minimum paper TOEFL 500, minimum web-based TOEFL 61.

### Costs and Financial Aid

**Annual in-state tuition:** \$8,646. **Annual out-of-state tuition:** \$13,542.  
**Room & board:** \$8,404. **Average book expense:** \$900. 60% first-year, 60% undergrads receive need-based scholarship or grant aid. 61% first-year, 84% undergrads receive need-based self-help aid. 57% of first-year need met, 61% of undergrad need met. 68% undergrads borrow to pay for school. **Average cumulative indebtedness:** \$23,950.  
**Computer science:** 1% of all Bachelor's Degrees awarded in Computer and Information Sciences.

## NORTH CAROLINA A&T STATE UNIVERSITY

1601 EAST MARKET STREET, GREENSBORO, NC 27411

PHONE: 336-334-7946 • E-MAIL: [UADMIT@NCAT.EDU](mailto:UADMIT@NCAT.EDU)

WEBSITE: [WWW.NCAT.EDU](http://WWW.NCAT.EDU)

### Student Body

**Enrollment:** 8,921. **Student Body:** Asian 1%, African American 89%, Caucasian 4%, Hispanic 2%, International 1%, Native American <1%.

### Admissions

**Average high school GPA:** 3.13. 0% in top 10% of high school class, 6% in top 25% of high school class, 34% in top 50% of high school class. 82% from public high schools. ACT middle 50% range 17–21. SAT Math middle 50% range 410–500. SAT Critical Reading middle 50% range 390–480. SAT Writing middle 50% range 370–460. Minimum paper TOEFL 570, minimum web-based TOEFL 88.

### Costs and Financial Aid

**Annual in-state tuition:** \$2,791. **Annual out-of-state tuition:** \$12,425.  
**Room & board:** \$7,225. **Required fees:** \$1,877. **Average book expense:** \$1,400. 78% first-year, 78% undergrads receive need-based scholarship or grant aid. 75% first-year, 84% undergrads receive need-based self-help aid. 84% of first-year need met, 82% of undergrad need met. 74% undergrads borrow to pay for school.  
13% of all Bachelor's Degrees awarded in Engineering.  
**Computer science:** 2% of all Bachelor's Degrees awarded in Computer and Information Sciences.

## NORTH CAROLINA STATE UNIVERSITY

BOX 7103, RALEIGH, NC 27695

PHONE: 919-515-2434 • E-MAIL: [UNDERGRAD\\_ADMISSIONS@NCSSU.EDU](mailto:UNDERGRAD_ADMISSIONS@NCSSU.EDU)

WEBSITE: [HTTP://WWW.NCSSU.EDU/](http://WWW.NCSSU.EDU/)

### Student Body

**Enrollment:** 22,925. **Student Body:** Asian 5%, African American 7%, Caucasian 75%, Hispanic 4%, International 3%, Native American <1%.

### Admissions

**Average high school GPA:** 3.63. 52% in top 10% of high school class, 86% in top 25% of high school class, 99% in top 50% of high school class. 80% from public high schools. ACT middle 50% range 26–31. SAT Math middle 50% range 600–680. SAT Critical Reading middle 50% range 560–650. SAT Writing middle 50% range 540–630. Minimum paper TOEFL 563, minimum web-based TOEFL 85.

### Costs and Financial Aid

**Annual in-state tuition:** \$6,038. **Annual out-of-state tuition:** \$21,293.  
**Room & board:** \$10,030. **Required fees:** \$2,258. **Average book expense:** \$1,076.  
94% first-year, 94% undergrads receive need-based scholarship or grant aid. 91% first-year, 73% undergrads receive need-based self-help aid. 75% first-year, 69% undergrads receive any aid. 81% of first-year need met, 78% of undergrad need met. 57% undergrads borrow to pay for school. **Average cumulative indebtedness:** \$20,839.  
**Number of students in Engineering program:** 5,944  
**Engineering majors:** engineering; aerospace, aeronautical and astronautical/ space; agricultural; bioengineering and biomedical; chemical; civil; computer; electrical; environmental; materials; mechanical; nuclear; textile sciences; construction; industrial  
23.6% of all Bachelor's Degrees awarded in Engineering.  
**Computer science:** 2% of all Bachelor's Degrees awarded in Computer and Information Sciences.

## NORTH DAKOTA STATE UNIVERSITY

PO BOX 6050 DEPT 5230, FARGO, ND 58108

PHONE: 701-231-8643 • E-MAIL: [NDSU.ADMISSION@NDSU.EDU](mailto:NDSU.ADMISSION@NDSU.EDU)

WEBSITE: [WWW.NDSU.EDU](http://WWW.NDSU.EDU)

### Student Body

**Enrollment:** 12,028. **Student Body:** Asian 1%, African American 2%, Caucasian 88%, Hispanic 1%, International 4%, Native American 1%.

### Admissions

**Average high school GPA:** 3.39. 16% in top 10% of high school class, 40% in top 25% of high school class, 74% in top 50% of high school class. ACT middle 50% range 20–26. SAT Math middle 50% range 490–620. SAT Critical Reading middle 50% range 480–610. Minimum paper TOEFL 525.

### Costs and Financial Aid

**Annual in-state tuition:** \$6,135. **Annual out-of-state tuition:** \$16,381.  
**Room & board:** \$6,910. **Required fees:** \$1,218. **Average book expense:** \$1,100. 77% first-year, 77% undergrads receive need-based scholarship or grant aid. 69% first-year, 87% undergrads receive need-based self-help aid. 65% of first-year need met, 41% of undergrad need met. 85% undergrads borrow to pay for school. **Average cumulative indebtedness:** \$22,571.  
**Number of students in Engineering program:** 1,442  
**Engineering majors:** engineering; civil; computer; electrical; mechanical; construction; industrial; manufacturing  
15% of all Bachelor's Degrees awarded in Engineering.  
**Computer science:** 2% of all Bachelor's Degrees awarded in Computer and Information Sciences.

## NORTHWESTERN STATE UNIVERSITY

SOUTH HALL, NATCHITOCHE, LA 71497

PHONE: 318-357-4078 • E-MAIL: [APPLICATIONS@NSULA.EDU](mailto:APPLICATIONS@NSULA.EDU)

WEBSITE: [WWW.NSULA.EDU](http://WWW.NSULA.EDU)

### Student Body

**Enrollment:** 7,333. **Student Body:** Asian 1%, African American 30%, Caucasian 57%, Hispanic 3%, International 1%, Native American 1%.

### Admissions

**Average high school GPA:** 3.16. 16% in top 10% of high school class, 39% in top 25% of high school class, 72% in top 50% of high school class. ACT middle 50% range 19–23. SAT Math middle 50% range 435–555. SAT Critical Reading middle 50% range 435–550. Minimum paper TOEFL 500, minimum web-based TOEFL 61.

### Costs and Financial Aid

64% first-year, 64% undergrads receive need-based scholarship or grant aid. 65% first-year, 64% undergrads receive need-based self-help aid. 91% first-year, 82% undergrads receive any aid. 62% of first-year need met, 46% of undergrad need met. 67% undergrads borrow to pay for school. **Average cumulative indebtedness:** \$22,453.  
**Computer science:** 2% of all Bachelor's Degrees awarded in Computer and Information Sciences.

## NORTHWESTERN UNIVERSITY

1801 HINMAN AVE, EVANSTON, IL 60208

PHONE: 847-491-7271 • E-MAIL: UG-ADMISSION@NORTHWESTERN.EDU

WEBSITE: WWW.NORTHWESTERN.EDU

### Student Body

**Enrollment:** 8,936. **Student Body:** Asian 17%, African American 6%, Caucasian 53%, Hispanic 11%, International 8%, Native American <1%.

### Admissions

90% in top 10% of high school class, 100% in top 25% of high school class, 65% from public high schools. ACT middle 50% range 31–34. SAT Math middle 50% range 700–790. SAT Critical Reading middle 50% range 690–770.

### Costs and Financial Aid

**Annual tuition:** \$46,836. **Room & board:** \$14,389. **Required fees:** \$415.

**Average book expense:** \$1,914. 98% first-year, 98% undergrads receive need-based scholarship or grant aid. 97% first-year, 78% undergrads receive need-based self-help aid. 100% of first-year need met, 100% of undergrad need met. 46% undergrads borrow to pay for school. **Average cumulative indebtedness:** \$17,197.

**Engineering majors:** manufacturing; industrial; mechanical; materials; environmental; science; electrical; computer; civil; chemical; bioengineering and biomedical; engineering

12% of all Bachelor's Degrees awarded in Engineering.

**Computer science:** 2% of all Bachelor's Degrees awarded in Computer and Information Sciences.

## NORWICH UNIVERSITY

ADMISSIONS OFFICE, NORTHFIELD, VT 05663

PHONE: 802-485-2001 • E-MAIL: NUADM@NORWICH.EDU

WEBSITE: WWW.NORWICH.EDU

### Student Body

**Enrollment:** 2,201. **Student Body:** Asian 2%, African American 3%, Caucasian 74%, Hispanic 4%, International 2%, Native American 1%.

### Admissions

**Average high school GPA:** 3.12. 11% in top 10% of high school class, 37% in top 25% of high school class, 74% in top 50% of high school class. 90% from public high schools. ACT middle 50% range 21–26. SAT Math middle 50% range 500–640. SAT Critical Reading middle 50% range 480–580. SAT Writing middle 50% range 460–620. Minimum paper TOEFL 500.

### Costs and Financial Aid

**Annual tuition:** \$30,048. **Room & board:** \$10,976. **Required fees:** \$1,734.

**Average book expense:** \$1,000. 100% first-year, 100% undergrads receive need-based scholarship or grant aid. 100% first-year, 79% undergrads receive need-based self-help aid. 82% of first-year need met, 76% of undergrad need met.

**Engineering majors:** civil; computer; electrical; mechanical  
9% of all Bachelor's Degrees awarded in Engineering.

**Computer science:** 3% of all Bachelor's Degrees awarded in Computer and Information Sciences.

## OAKLAND UNIVERSITY

OFFICE OF ADMISSIONS, ROCHESTER, MI 48309-4401

PHONE: 248-370-3360 • E-MAIL: VISIT@OAKLAND.EDU

WEBSITE: HTTP://WWW.OAKLAND.EDU

### Student Body

**Enrollment:** 16,528. **Student Body:** Asian 4%, African American 8%, Caucasian 75%, Hispanic 3%, International 2%, Native American <1%.

### Admissions

**Average high school GPA:** 3.40. 16% in top 10% of high school class, 44% in top 25% of high school class, 81% in top 50% of high school class. 90% from public high schools. ACT middle 50% range 20–26. Minimum paper TOEFL 550, minimum web-based TOEFL 79.

### Costs and Financial Aid

**Annual in-state tuition:** \$10,613. **Annual out-of-state tuition:** \$23,873.

**Room & board:** \$8,895. **Average book expense:** \$1,054.

**Number of students in Engineering program:** 860

**Engineering majors:** computer; electrical; physics; mechanical; industrial; chemistry

4.3% of all Bachelor's Degrees awarded in Engineering.

**Computer science:** 2% of all Bachelor's Degrees awarded in Computer and Information Sciences.

## OHIO NORTHERN UNIVERSITY

525 SOUTH MAIN STREET, ADA, OH 45810

PHONE: 419-772-2260 • E-MAIL: ADMISSIONS-UG@ONU.EDU

WEBSITE: WWW.ONU.EDU

### Student Body

**Enrollment:** 2,232. **Student Body:** Asian 1%, African American 4%, Caucasian 84%, Hispanic 1%, International 4%, Native American <1%.

### Admissions

**Average high school GPA:** 3.70. 35% in top 10% of high school class, 62% in top 25% of high school class, 90% in top 50% of high school class. ACT middle 50% range 23–29. SAT Math middle 50% range 530–650. SAT Critical Reading middle 50% range 520–620. SAT Writing middle 50% range 510–600. Minimum paper TOEFL 480, minimum web-based TOEFL 54.

### Costs and Financial Aid

**Annual tuition:** \$27,500. **Room & board:** \$10,910. **Required fees:** \$550.

**Average book expense:** \$1,800.

**Engineering majors:** engineering; civil; computer; computer engineering; electrical; mechanical

6.8% of all Bachelor's Degrees awarded in Engineering.

**Computer science:** 1% of all Bachelor's Degrees awarded in Computer and Information Sciences.

## THE OHIO STATE UNIVERSITY—COLUMBUS

STUDENT ACADEMIC SERVICES BUILDING, COLUMBUS, OH 43210

PHONE: 614-292-3980 • E-MAIL: ASKABUCKEYE@OSU.EDU

WEBSITE: WWW.OSU.EDU

### Student Body

**Enrollment:** 43,733. **Student Body:** Asian 6%, African American 6%, Caucasian 72%, Hispanic 3%, International 8%, Native American <1%.

### Admissions

61% in top 10% of high school class, 94% in top 25% of high school class, 99% in top 50% of high school class. 85% from public high schools. ACT middle 50% range 27–31. SAT Math middle 50% range 620–730. SAT Critical Reading middle 50% range 540–660. SAT Writing middle 50% range 560–660. Minimum paper TOEFL 550, minimum web-based TOEFL 79.

### Costs and Financial Aid

**Average book expense:** \$1,248. 90% first-year, 90% undergrads receive need-based scholarship or grant aid. 78% first-year, 88% undergrads receive need-based self-help aid. 88% first-year, 79% undergrads receive any aid. 71% of first-year need met, 65% of undergrad need met. 56% undergrads borrow to pay for school. **Average cumulative indebtedness:** \$22,756.

**Number of students in Engineering program:** 34,752

**Engineering majors:** aerospace, aeronautical and astronautical/space; agricultural; bioengineering and biomedical; ceramic sciences; chemical; civil; electrical; mechanics; physics; materials; mechanical; metallurgical; nuclear; industrial  
12.8% of all Bachelor's Degrees awarded in Engineering.

## OHIO UNIVERSITY—ATHENS

120 CHUBB HALL, ATHENS, OH 45701

PHONE: 740-593-4100 • E-MAIL: ADMISSIONS@OHIO.EDU

WEBSITE: WWW.OHIO.EDU

### Student Body

**Enrollment:** 23,390. **Student Body:** Asian 1%, African American 5%, Caucasian 83%, Hispanic 3%, International 4%, Native American <1%.

### Admissions

**Average high school GPA:** 3.43. 15% in top 10% of high school class, 43% in top 25% of high school class, 82% in top 50% of high school class. 82% from public high schools. ACT middle 50% range 22–26. SAT Math middle 50% range 490–600. SAT Critical Reading middle 50% range 490–600. SAT Writing middle 50% range 470–580.

### Costs and Financial Aid

**Annual in-state tuition:** \$10,602. **Annual out-of-state tuition:** \$19,566.  
**Room & board:** \$10,478. **Average book expense:** \$916. 91% first-year, 91% undergrads receive need-based scholarship or grant aid. 74% first-year, 92% undergrads receive need-based self-help aid. 92% first-year, 73% undergrads receive any aid. 50% of first-year need met, 43% of undergrad need met. 66% undergrads borrow to pay for school. **Average cumulative indebtedness:** \$23,425.  
**Number of students in Engineering program:** 1,704  
**Engineering majors:** chemical; civil; electrical; mechanical; industrial  
2% of all Bachelor's Degrees awarded in Engineering.  
**Computer science:** 2% of all Bachelor's Degrees awarded in Computer and Information Sciences.

## OKLAHOMA CHRISTIAN UNIVERSITY

P.O. Box 11000, OKLAHOMA CITY, OK 73136-1100  
**PHONE:** 405-425-5050 • **E-MAIL:** INFO@OC.EDU  
**WEBSITE:** WWW.OC.EDU

### Student Body

**Enrollment:** 1,910. **Student Body:** Asian 1%, African American 3%, Caucasian 63%, Hispanic 3%, International 11%, Native American 4%.

### Admissions

**Average high school GPA:** 3.56. 30% in top 10% of high school class, 54% in top 25% of high school class, 80% in top 50% of high school class. ACT middle 50% range 21–28. SAT Math middle 50% range 470–640. SAT Critical Reading middle 50% range 440–620. SAT Writing middle 50% range 470–600. Minimum paper TOEFL 500, minimum web-based TOEFL 61.

### Costs and Financial Aid

**Annual tuition:** \$18,800. **Room & board:** \$6,775. **Average book expense:** \$1,000. 58% first-year, 58% undergrads receive need-based scholarship or grant aid. 58% first-year, 42% undergrads receive need-based self-help aid. 100% first-year, 98% undergrads receive any aid. 73% of first-year need met, 80% of undergrad need met. 65% undergrads borrow to pay for school. **Average cumulative indebtedness:** \$24,797.  
**Number of students in Engineering program:** 230  
**Engineering majors:** computer; electrical; physics; mechanical  
12.1% of all Bachelor's Degrees awarded in Engineering.  
**Computer science:** 3% of all Bachelor's Degrees awarded in Computer and Information Sciences.

## OKLAHOMA STATE UNIVERSITY

219 STUDENT UNION, STILLWATER, OK 74078  
**PHONE:** 405-744-5358 • **E-MAIL:** ADMISSIONS@OKSTATE.EDU  
**WEBSITE:** HTTP://GO.OKSTATE.EDU

### Student Body

**Enrollment:** 20,581. **Student Body:** Asian 2%, African American 5%, Caucasian 71%, Hispanic 6%, International 3%, Native American 5%.

### Admissions

**Average high school GPA:** 3.54. 26% in top 10% of high school class, 54% in top 25% of high school class, 85% in top 50% of high school class. ACT middle 50% range 22–28. SAT Math middle 50% range 510–620. SAT Critical Reading middle 50% range 480–600. Minimum paper TOEFL 500, minimum web-based TOEFL 61.

### Costs and Financial Aid

**Annual in-state tuition:** \$4,425. **Annual out-of-state tuition:** \$17,010.  
**Room & board:** \$7,390. **Required fees:** \$3,017. **Average book expense:** \$1,030.  
76% first-year, 76% undergrads receive need-based scholarship or grant aid. 76% first-year, 67% undergrads receive need-based self-help aid. 89% first-year, 83% undergrads receive any aid. 78% of first-year need met, 76% of undergrad need met. 51% undergrads borrow to pay for school. **Average cumulative indebtedness:** \$21,901  
**Engineering majors:** aerospace, aeronautical and astronautical/space; agricultural; chemical; civil; computer; electrical; mechanical; industrial  
9.9% of all Bachelor's Degrees awarded in Engineering.  
**Computer science:** 3% of all Bachelor's Degrees awarded in Computer and Information Sciences.

## OLD DOMINION UNIVERSITY

108 ROLLINS HALL, NORFOLK, VA 23529-0050  
**PHONE:** 757-683-3685 • **E-MAIL:** ADMISSIONS@ODU.EDU  
**WEBSITE:** WWW.ODU.EDU

### Student Body

**Enrollment:** 19,842. **Student Body:** Asian 4%, African American 27%, Caucasian 50%, Hispanic 7%, International 1%, Native American <1%.

### Admissions

**Average high school GPA:** 3.29. 10% in top 10% of high school class, 33% in top 25% of high school class, 76% in top 50% of high school class. 93% from public high schools. ACT middle 50% range 18–23. SAT Math middle 50% range 460–560. SAT Critical Reading middle 50% range 460–560. Minimum paper TOEFL 550, minimum web-based TOEFL 79.

### Costs and Financial Aid

**Annual in-state tuition:** \$8,970. **Annual out-of-state tuition:** \$25,140.  
**Room & board:** \$10,233. **Required fees:** \$280. **Average book expense:** \$1,000. 82% first-year, 82% undergrads receive need-based scholarship or grant aid. 75% first-year, 80% undergrads receive need-based self-help aid. 85% first-year, 73% undergrads receive any aid. 48% of first-year need met, 47% of undergrad need met. 69% undergrads borrow to pay for school. **Average cumulative indebtedness:** \$26,404.  
**Number of students in Engineering program:** 1,431  
**Engineering majors:** engineering; civil; computer; electrical; environmental; mechanical  
6.3% of all Bachelor's Degrees awarded in Engineering.  
**Computer science:** 1% of all Bachelor's Degrees awarded in Computer and Information Sciences.

## OLIVET NAZARENE UNIVERSITY

ONE UNIVERSITY AVENUE, BOURBONNAIS, IL 60914  
**PHONE:** 815-939-5603 • **E-MAIL:** ADMISSIONS@OLIVET.EDU  
**WEBSITE:** WWW.OLIVET.EDU

### Student Body

**Enrollment:** 2,633. **Student Body:** Asian 1%, African American 9%, Caucasian 86%, Hispanic 3%, International 1%, Native American <1%.

### Admissions

**Average high school GPA:** 3.30. 22% in top 10% of high school class, 45% in top 25% of high school class, 75% in top 50% of high school class. 85% from public high schools. ACT middle 50% range 20–26. SAT Math middle 50% range 480–590. SAT Critical Reading middle 50% range 490–620. Minimum paper TOEFL 500.

### Costs and Financial Aid

**Annual tuition:** \$16,750. **Room & board:** \$6,400. **Required fees:** \$840.  
**Average book expense:** \$800. 99% first-year, 99% undergrads receive need-based scholarship or grant aid. 98% first-year, 86% undergrads receive need-based self-help aid. 96% undergrads receive any aid. 73% of first-year need met, 76% of undergrad need met. 68% undergrads borrow to pay for school.  
**Engineering majors:** engineering; geological/geophysical  
4% of all Bachelor's Degrees awarded in Engineering.  
**Computer science:** 2% of all Bachelor's Degrees awarded in Computer and Information Sciences.

## ORAL ROBERTS UNIVERSITY

7777 S. LEWIS AVENUE, TULSA, OK 74171  
**PHONE:** 918-495-6518 • **E-MAIL:** ADMISSIONS@ORU.EDU  
**WEBSITE:** WWW.ORU.EDU

### Student Body

**Enrollment:** 2,944. **Student Body:** Asian 1%, African American 4%, Caucasian 16%, Hispanic 3%, International 2%, Native American 1%.

### Admissions

75% from public high schools. ACT middle 50% range 20–25. SAT Math middle 50% range 450–560. SAT Critical Reading middle 50% range 460–570. Minimum paper TOEFL 500.

### Costs and Financial Aid

100% first-year, 100% undergrads receive need-based scholarship or grant aid. 99% first-year, 92% undergrads receive need-based self-help aid.

91% of first-year need met, 77% of undergrad need met. 47% undergrads borrow to pay for school. **Average cumulative indebtedness:** \$31,588.

**Engineering majors:** bioengineering and biomedical; computer; electrical; physics; mechanical  
3.9% of all Bachelor's Degrees awarded in Engineering.

**Computer science:** 1% of all Bachelor's Degrees awarded in Computer and Information Sciences.

## OREGON INSTITUTE OF TECHNOLOGY

3201 CAMPUS DRIVE, KLAMATH FALLS, OR 97601

PHONE: 541-885-1150 • E-MAIL: OIT@OIT.EDU

### Student Body

**Enrollment:** 2,663. **Student Body:** Asian 5%, African American 1%, Caucasian 81%, Hispanic 4%, International 1%, Native American 2%.

### Admissions

**Average high school GPA:** 3.29. 25% in top 10% of high school class, 56% in top 25% of high school class, 92% in top 50% of high school class. ACT middle 50% range 21–26. SAT Math middle 50% range 480–600. SAT Critical Reading middle 50% range 460–570. Minimum paper TOEFL 520.

### Costs and Financial Aid

**Annual in-state tuition:** \$4,590. **Annual out-of-state tuition:** \$14,760.

**Room & board:** \$6,480. **Required fees:** \$1,329. **Average book expense:** \$1,000.

37% first-year, 37% undergrads receive need-based scholarship or grant aid. 48% first-year, 72% undergrads receive need-based self-help aid. 89% first-year, 86% undergrads receive any aid. 18% of first-year need met, 18% of undergrad need met. 7% undergrads borrow to pay for school.

**Engineering majors:** civil; geotechnical and geoenvironmental  
5% of all Bachelor's Degrees awarded in Engineering.

**Computer science:** 4% of all Bachelor's Degrees awarded in Computer and Information Sciences.

## OREGON STATE UNIVERSITY

104 KERR ADMINISTRATION BUILDING, CORVALLIS, OR 97331-2106

PHONE: 541-737-4411 • E-MAIL: OSUADMIT@OREGONSTATE.EDU

WEBSITE: HTTP://OREGONSTATE.EDU/

### Student Body

**Enrollment:** 22,928. **Student Body:** Asian 7%, African American 1%, Caucasian 68%, Hispanic 8%, International 6%, Native American 1%.

### Admissions

**Average high school GPA:** 3.59. 27% in top 10% of high school class, 57% in top 25% of high school class, 89% in top 50% of high school class. ACT middle 50% range 21–28. SAT Math middle 50% range 500–620. SAT Critical Reading middle 50% range 480–610. SAT Writing middle 50% range 460–590. Minimum paper TOEFL 550, minimum web-based TOEFL 80.

### Costs and Financial Aid

**Annual out-of-state tuition:** \$24,822. **Room & board:** \$11,151. **Required fees:** \$1,472. **Average book expense:** \$1,965. 81% first-year, 81% undergrads receive need-based scholarship or grant aid. 76% first-year, 97% undergrads receive need-based self-help aid. 80% first-year, 74% undergrads receive any aid. 67% of first-year need met, 66% of undergrad need met. 58% undergrads borrow to pay for school. **Average cumulative indebtedness:** \$20,001.

**Number of students in Engineering program:** 4,789

**Engineering majors:** engineering; agricultural; bioengineering and biomedical; chemical; civil; water resources; electrical; physics; environmental; mechanical; nuclear; construction; forest; industrial; manufacturing  
14.8% of all Bachelor's Degrees awarded in Engineering.

**Computer science:** 3% of all Bachelor's Degrees awarded in Computer and Information Sciences.

## PACE UNIVERSITY

1 PACE PLAZA, NEW YORK, NY 10038

PHONE: 212-346-1323 • E-MAIL: INFOCTR@PACE.EDU

WEBSITE: WWW.PACE.EDU

### Student Body

**Enrollment:** 8,163. **Student Body:** Asian 9%, African American 11%, Caucasian 50%, Hispanic 15%, International 9%, Native American <1%.

### Admissions

**Average high school GPA:** 3.22. 14% in top 10% of high school class, 39% in top 25% of high school class, 75% in top 50% of high school class. 75% from public high schools. ACT middle 50% range 20–26. SAT Math middle 50% range 480–580. SAT Critical Reading middle 50% range 470–570. Minimum paper TOEFL 570.

### Costs and Financial Aid

**Annual tuition:** \$38,200. **Room & board:** \$15,774. **Required fees:** \$1,497.

**Average book expense:** \$800. 100% first-year, 100% undergrads receive need-based scholarship or grant aid. 99% first-year, 82% undergrads receive need-based self-help aid. 92% first-year, 85% undergrads receive any aid. 72% of first-year need met, 70% of undergrad need met. 74% undergrads borrow to pay for school. **Average cumulative indebtedness:** \$28,084.

**Engineering majors:** chemical

**Computer science:** 4% of all Bachelor's Degrees awarded in Computer and Information Sciences.

## PACIFIC LUTHERAN UNIVERSITY

OFFICE OF ADMISSION, TACOMA, WA 98447

PHONE: 253-535-7151 • E-MAIL: ADMISSIONS@PLU.EDU

WEBSITE: WWW.PLU.EDU

### Student Body

**Enrollment:** 2,907. **Student Body:** Asian 7%, African American 3%, Caucasian 68%, Hispanic 8%, International 4%, Native American 1%.

### Admissions

**Average high school GPA:** 3.66. 30% in top 10% of high school class, 63% in top 25% of high school class, 96% in top 50% of high school class. ACT middle 50% range 22–29. SAT Math middle 50% range 490–600. SAT Critical Reading middle 50% range 490–610. SAT Writing middle 50% range 470–590. Minimum paper TOEFL 550, minimum web-based TOEFL 79.

### Costs and Financial Aid

**Annual tuition:** \$36,180. **Room & board:** \$10,230. **Required fees:** \$350.

**Average book expense:** \$1,030. 100% first-year, 100% undergrads receive need-based scholarship or grant aid. 99% first-year, 87% undergrads receive need-based self-help aid. 99% first-year, 97% undergrads receive any aid. 90% of first-year need met, 82% of undergrad need met. 73% undergrads borrow to pay for school. **Average cumulative indebtedness:** \$27,497.

**Engineering majors:** computer; science

0.4% of all Bachelor's Degrees awarded in Engineering.

**Computer science:** 2% of all Bachelor's Degrees awarded in Computer and Information Sciences.

## PENN STATE BERKS

TULPEHOCKEN ROAD PO BOX 7009, READING, PA 19610-6009

PHONE: 610-396-6060 • E-MAIL: ADMISSIONSBK@PSU.EDU

WEBSITE: HTTP://BERKS.PSU.EDU

### Student Body

**Enrollment:** 2,699. **Student Body:** Asian 4%, African American 10%, Caucasian 70%, Hispanic 11%, International 3%, Native American <1%.

### Admissions

**Average high school GPA:** 3.01. 7% in top 10% of high school class, 25% in top 25% of high school class, 64% in top 50% of high school class. ACT middle 50% range 18–25. SAT Math middle 50% range 430–560. SAT Critical Reading middle 50% range 420–530. SAT Writing middle 50% range 400–520. Minimum paper TOEFL 550.

### Costs and Financial Aid

**Annual in-state tuition:** \$13,658. **Annual out-of-state tuition:** \$20,890.

**Room & board:** \$11,500. **Required fees:** \$930. **Average book expense:** \$1,760. 68% first-year, 68% undergrads receive need-based scholarship or grant aid. 70% first-year, 85% undergrads receive need-based self-help aid. 56% of first-year need met, 58% of undergrad need met. 63% undergrads borrow to pay for school. **Average cumulative indebtedness:** \$27,670.

8.4% of all Bachelor's Degrees awarded in Engineering.

**Computer science:** 9% of all Bachelor's Degrees awarded in Computer and Information Sciences.



## PENN STATE ERIE, THE BEHREND COLLEGE

METZGAR ADMISSIONS & ALUMNIA CT, ERIE, PA 16563-0105  
PHONE: 814-898-6100 • E-MAIL: BEHREND.ADMISSIONS@PSU.EDU  
WEBSITE: HTTP://PSBEHREND.PSU.EDU/

### Student Body

**Enrollment:** 3,891. **Student Body:** Asian 3%, African American 4%, Caucasian 80%, Hispanic 3%, International 7%, Native American <1%.

### Admissions

**Average high school GPA:** 3.27. 13% in top 10% of high school class, 40% in top 25% of high school class, 80% in top 50% of high school class. ACT middle 50% range 19–26. SAT Math middle 50% range 480–610. SAT Critical Reading middle 50% range 460–560. SAT Writing middle 50% range 430–540. Minimum paper TOEFL 550.

### Costs and Financial Aid

**Annual in-state tuition:** \$13,658. **Annual out-of-state tuition:** \$20,890. **Room & board:** \$10,520. **Required fees:** \$930. **Average book expense:** \$1,760. 66% first-year, 66% undergrads receive need-based scholarship or grant aid. 65% first-year, 87% undergrads receive need-based self-help aid. 61% of first-year need met, 59% of undergrad need met. 63% undergrads borrow to pay for school. **Average cumulative indebtedness:** \$27,670. 21% of all Bachelor's Degrees awarded in Engineering. **Computer science:** 2% of all Bachelor's Degrees awarded in Computer and Information Sciences

## PENN STATE HARRISBURG

SWATARA BLDG., MIDDLETOWN, PA 17057-4898  
PHONE: 717-948-6250 • E-MAIL: HBGADMIT@PSU.EDU  
WEBSITE: WWW.HBG.PSU.EDU

### Student Body

**Enrollment:** 3,595. **Student Body:** Asian 8%, African American 10%, Caucasian 59%, Hispanic 7%, International 10%, Native American <1%.

### Admissions

**Average high school GPA:** 3.15. 11% in top 10% of high school class, 35% in top 25% of high school class, 80% in top 50% of high school class. ACT middle 50% range 20–26. SAT Math middle 50% range 470–590. SAT Critical Reading middle 50% range 440–540. SAT Writing middle 50% range 430–540.

### Costs and Financial Aid

**Annual in-state tuition:** \$13,658. **Annual out-of-state tuition:** \$20,890. **Room & board:** \$11,980. **Required fees:** \$930. **Average book expense:** \$1,760. 61% first-year, 61% undergrads receive need-based scholarship or grant aid. 67% first-year, 83% undergrads receive need-based self-help aid. 54% of first-year need met, 56% of undergrad need met. 63% undergrads borrow to pay for school. **Average cumulative indebtedness:** \$27,670. 25.3% of all Bachelor's Degrees awarded in Engineering. **Computer science:** 4% of all Bachelor's Degrees awarded in Computer and Information Sciences.

## PENN STATE NEW KENSINGTON

3550 7TH STREET ROAD, UPPER BARRELL, PA 15068-1798  
PHONE: 724-334-5466 • E-MAIL: NKADMISSIONS@PSU.EDU

### Student Body

**Enrollment:** 734. **Student Body:** Asian 1%, African American 3%, Caucasian 95%, Hispanic 1%, International 0%, Native American <1%.

### Admissions

**Average high school GPA:** 3.01. 9% in top 10% of high school class, 29% in top 25% of high school class, 69% in top 50% of high school class. SAT Math middle 50% range 440–570. SAT Critical Reading middle 50% range 430–540. Minimum paper TOEFL 550.

### Costs and Financial Aid

**Annual in-state tuition:** \$10,454. **Annual out-of-state tuition:** \$15,954. **Room & board:** \$3,360. **Required fees:** \$552. **Average book expense:** \$1,168. 72% first-year, 72% undergrads receive need-based scholarship or grant aid. 80% first-year, 84% undergrads receive need-based self-help aid. 71% of first-year need met, 71% of undergrad need met. 67% undergrads borrow to pay for school. **Average cumulative indebtedness:** \$19,600.

9.3% of all Bachelor's Degrees awarded in Engineering. **Computer science:** 25% of all Bachelor's Degrees awarded in Computer and Information Sciences.

## PENN STATE UNIVERSITY PARK

201 SHIELDS BUILDING, UNIVERSITY PARK, PA 16802  
PHONE: 814-865-5471 • E-MAIL: ADMISSIONS@PSU.EDU  
WEBSITE: WWW.PSU.EDU

### Student Body

**Enrollment:** 39,958. **Student Body:** Asian 6%, African American 4%, Caucasian 71%, Hispanic 5%, International 10%, Native American <1%.

### Admissions

**Average high school GPA:** 3.60. 40% in top 10% of high school class, 82% in top 25% of high school class, 99% in top 50% of high school class. ACT middle 50% range 25–29. SAT Math middle 50% range 560–670. SAT Critical Reading middle 50% range 530–620. SAT Writing middle 50% range 540–640. Minimum paper TOEFL 550, minimum web-based TOEFL 80.

### Costs and Financial Aid

**Annual in-state tuition:** \$16,572. **Annual out-of-state tuition:** \$29,522. **Room & board:** \$10,520. **Required fees:** \$930. **Average book expense:** \$1,760. 42% first-year, 42% undergrads receive need-based scholarship or grant aid. 51% first-year, 82% undergrads receive need-based self-help aid. 69% first-year, 68% undergrads receive any aid. 54% of first-year need met, 57% of undergrad need met. 63% undergrads borrow to pay for school. **Average cumulative indebtedness:** \$27,670. **Engineering majors:** aerospace, aeronautical and astronautical/space; agricultural; architectural; bioengineering and biomedical; chemical; civil; computer; electrical; science; environmental; mechanical; mining and mineral; nuclear; petroleum; industrial. 14.6% of all Bachelor's Degrees awarded in Engineering. **Computer science:** 5% of all Bachelor's Degrees awarded in Computer and Information Sciences.

## PENN STATE WILKES-BARRE

MURPHY CENTER 125, LEHMAN, PA 18627-0217  
PHONE: 570-675-9238 • E-MAIL: WBADMISSIONS@PSU.EDU  
WEBSITE: WB.PSU.EDU

### Student Body

**Enrollment:** 493. **Student Body:** Asian 2%, African American 2%, Caucasian 87%, Hispanic 6%, International 1%, Native American <1%.

### Admissions

**Average high school GPA:** 3.08. 8% in top 10% of high school class, 31% in top 25% of high school class, 68% in top 50% of high school class. ACT middle 50% range 15–23. SAT Math middle 50% range 430–550. SAT Critical Reading middle 50% range 420–530. SAT Writing middle 50% range 400–520.

### Costs and Financial Aid

**Annual in-state tuition:** \$12,718. **Annual out-of-state tuition:** \$19,404. **Required fees:** \$870. 75% first-year, 75% undergrads receive need-based scholarship or grant aid. 74% first-year, 80% undergrads receive need-based self-help aid. 62% of first-year need met, 63% of undergrad need met. 63% undergrads borrow to pay for school. **Average cumulative indebtedness:** \$27,670. 27.8% of all Bachelor's Degrees awarded in Engineering. **Computer science:** 20% of all Bachelor's Degrees awarded in Computer and Information Sciences.

## PENN STATE YORK

1031 EDGEComb AVENUE, YORK, PA 17403-3398  
PHONE: 717-771-4040 • E-MAIL: YKADMISSION@PSU.EDU  
WEBSITE: WWW.YK.PSU.EDU

### Student Body

**Enrollment:** 1,070. **Student Body:** Asian 6%, African American 5%, Caucasian 83%, Hispanic 5%, International 0%, Native American <1%.

### Admissions

**Average high school GPA:** 2.81. 6% in top 10% of high school class, 24% in top 25% of high school class, 55% in top 50% of high school class. SAT Math middle 50% range 440–550. SAT Critical Reading middle 50% range 410–530. Minimum paper TOEFL 550.

### Costs and Financial Aid

**Annual in-state tuition:** \$10,454. **Annual out-of-state tuition:** \$15,954. **Room & board:** \$3,360. **Required fees:** \$532. **Average book expense:** \$1,168. 66% first-year, 66% undergrads receive need-based scholarship or grant aid. 75% first-year, 81% undergrads receive need-based self-help aid. 66% of first-year need met, 67% of undergrad need met. 67% undergrads borrow to pay for school. **Average cumulative indebtedness:** \$19,600. 4% of all Bachelor's Degrees awarded in Engineering. **Computer science:** 24% of all Bachelor's Degrees awarded in Computer and Information Sciences.

## PHILADELPHIA UNIVERSITY

SCHOOL HOUSE LANE AND HENRY AVENUE, PHILADELPHIA, PA 19144-5497  
PHONE: 215-951-2800 • E-MAIL: ADMISSIONS@PHILAU.EDU  
WEBSITE: WWW.PHILAU.EDU

### Student Body

**Enrollment:** 2,885. **Student Body:** Asian 5%, African American 14%, Caucasian 59%, Hispanic 7%, International 4%, Native American <1%.

### Admissions

**Average high school GPA:** 3.53. 17% in top 10% of high school class, 46% in top 25% of high school class, 78% in top 50% of high school class. 80% from public high schools. ACT middle 50% range 20–26. SAT Math middle 50% range 490–600. SAT Critical Reading middle 50% range 480–580. SAT Writing middle 50% range 470–580. Minimum paper TOEFL 500.

### Costs and Financial Aid

**Average book expense:** \$1,600. 100% first-year, 100% undergrads receive need-based scholarship or grant aid. 100% first-year, 88% undergrads receive need-based self-help aid. 99% first-year, 97% undergrads receive any aid. 75% of first-year need met, 68% of undergrad need met. 79% undergrads borrow to pay for school. **Average cumulative indebtedness:** \$28,378. **Number of students in Engineering program:** 98. **Engineering majors:** engineering; architectural; mechanical; textile sciences; industrial. 3.5% of all Bachelor's Degrees awarded in Engineering. **Computer science:** 1% of all Bachelor's Degrees awarded in Computer and Information Sciences.

## PITTSBURG STATE UNIVERSITY

1701 SOUTH BROADWAY, PITTSBURGH, KS 66762  
PHONE: 620-235-4251 • E-MAIL: PSUADMIT@PITTSTATE.EDU  
WEBSITE: WWW.PITTSTATE.EDU

### Student Body

**Enrollment:** 5,842. **Student Body:** Asian 1%, African American 4%, Caucasian 81%, Hispanic 5%, International 3%, Native American 1%.

### Admissions

**Average high school GPA:** 3.30. 13% in top 10% of high school class, 35% in top 25% of high school class, 67% in top 50% of high school class. ACT middle 50% range 19–24. Minimum paper TOEFL 520, minimum web-based TOEFL 68.

### Costs and Financial Aid

**Room & board:** \$6,734. **Required fees:** \$1,196. **Average book expense:** \$1,000. 64% first-year, 64% undergrads receive need-based scholarship or grant aid. 69% first-year, 78% undergrads receive need-based self-help aid. 91% first-year, 85% undergrads receive any aid. 2% of first-year need met, 6% of undergrad need met. 68% undergrads borrow to pay for school. **Average cumulative indebtedness:** \$23,204. **Number of students in Engineering program:** 1,331. **Computer science:** 1% of all Bachelor's Degrees awarded in Computer and Information Sciences.

## POINT PARK UNIVERSITY

201 WOOD STREET, PITTSBURGH, PA 15222  
PHONE: 412-392-3430 • E-MAIL: ENROLL@POINTPARK.EDU

### Student Body

**Enrollment:** 3,167. **Student Body:** Asian 1%, African American 17%, Caucasian 73%, Hispanic 3%, International 2%, Native American <1%.

### Admissions

**Average high school GPA:** 3.21. 10% in top 10% of high school class, 30% in top 25% of high school class, 66% in top 50% of high school class. ACT middle 50% range 20–26. SAT Math middle 50% range 450–560. SAT Critical Reading middle 50% range 460–580. SAT Writing middle 50% range 450–560. Minimum paper TOEFL 500.

### Costs and Financial Aid

**Annual tuition:** \$24,020. **Room & board:** \$9,920. **Required fees:** \$1,170. **Average book expense:** \$1,000. 100% first-year, 100% undergrads receive need-based scholarship or grant aid. 99% first-year, 87% undergrads receive need-based self-help aid. 100% first-year, 93% undergrads receive any aid. 73% of first-year need met, 67% of undergrad need met. 79% undergrads borrow to pay for school. **Average cumulative indebtedness:** \$20,193. **Computer science:** 4% of all Bachelor's Degrees awarded in Computer and Information Sciences.

## POLYTECHNIC INSTITUTE OF NEW YORK UNIVERSITY—BROOKLYN

6 METROTECH CENTER, BROOKLYN, NY 11201-2999  
PHONE: 718-260-5955 • E-MAIL: UADMIT@POLY.EDU  
WEBSITE: WWW.POLY.EDU

### Student Body

**Enrollment:** 2,000. **Student Body:** Asian 35%, African American 6%, Caucasian 30%, Hispanic 10%, International 10%, Native American <1%.

### Admissions

**Average high school GPA:** 3.52. 46% in top 10% of high school class, 81% in top 25% of high school class, 95% in top 50% of high school class. 73% from public high schools. ACT middle 50% range 26–30. SAT Math middle 50% range 640–720. SAT Critical Reading middle 50% range 550–650. SAT Writing middle 50% range 540–650. Minimum paper TOEFL 550, minimum web-based TOEFL 80.

### Costs and Financial Aid

**Annual tuition:** \$40,060. **Room & board:** \$13,500. **Required fees:** \$1,268. **Average book expense:** \$1,500. 93% first-year, 93% undergrads receive need-based scholarship or grant aid. 93% first-year, 86% undergrads receive need-based self-help aid. 97% first-year, 92% undergrads receive any aid. 91% of first-year need met, 87% of undergrad need met. 68% undergrads borrow to pay for school. **Average cumulative indebtedness:** \$20,388. **Number of students in Engineering program:** 1,446. **Engineering majors:** chemical; civil; computer; electrical; mechanical; construction. 62% of all Bachelor's Degrees awarded in Engineering. **Computer science:** 10% of all Bachelor's Degrees awarded in Computer and Information Sciences.

## POLYTECHNIC UNIVERSITY OF PUERTO RICO

PO BOX 192017, HATO REY, PR 00919-2017  
PHONE: 787.622.8000  
WEBSITE: WWW.PUPR.EDU

### Student Body

**Enrollment:** 3,759. **Student Body:** Asian 0%, African American 0%, Caucasian 0%, Hispanic 100%.

### Admissions

**Average high school GPA:** 3.21. 39% from public high schools.

### Costs and Financial Aid

**Annual tuition:** \$7,020. **Required fees:** \$780. **Average book expense:** \$2,342. 97% first-year, 97% undergrads receive need-based scholarship or grant aid. 96% first-year, 18% undergrads receive need-based self-help aid. 91% first-year, 90% undergrads receive any aid. 42% of first-year need met, 56% of undergrad need met. 57% undergrads borrow to pay for school. **Average cumulative indebtedness:** \$1,680. **Engineering majors:** chemical; civil; computer; electrical; mechanical; industrial; manufacturing. 83% of all Bachelor's Degrees awarded in Engineering. **Computer science:** 1% of all Bachelor's Degrees awarded in Computer and Information Sciences.

# PORTLAND STATE UNIVERSITY

OFFICE OF ADMISSIONS, PORTLAND, OR 97207-0751  
PHONE: 503-725-3511 • E-MAIL: ADMISSIONS@PDX.EDU  
WEBSITE: HTTP://WWW.PDX.EDU/

## Student Body

**Enrollment:** 19,662. **Student Body:** Asian 8%, African American 3%, Caucasian 60%, Hispanic 11%, International 5%, Native American 1%.

## Admissions

**Average high school GPA:** 3.39. 13% in top 10% of high school class, 40% in top 25% of high school class, 80% in top 50% of high school class. 85% from public high schools. ACT middle 50% range 19–25. SAT Math middle 50% range 450–570. SAT Critical Reading middle 50% range 460–590. SAT Writing middle 50% range 430–560. Minimum paper TOEFL 527, minimum web-based TOEFL 60.

## Costs and Financial Aid

**Annual in-state tuition:** \$6,525. **Annual out-of-state tuition:** \$2,250. **Room & board:** \$11,349. **Required fees:** \$1,269. **Average book expense:** \$2,028. 75% first-year, 56% undergrads receive any aid.

**Engineering majors:** civil; computer; computer software; electrical; materials; mechanical; systems; manufacturing  
4.8% of all Bachelor's Degrees awarded in Engineering.

**Computer science:** 2% of all Bachelor's Degrees awarded in Computer and Information Sciences.

# PRAIRIE VIEW A&M UNIVERSITY

PO Box 519, PRAIRIE VIEW, TX 77446  
PHONE: 936-261-3500 • E-MAIL: ADMISSIONS@PVAMU.EDU  
WEBSITE: WWW.PVAMU.EDU

## Student Body

**Enrollment:** 6,973. **Student Body:** Asian 2%, African American 88%, Caucasian 3%, Hispanic 5%, International 1%, Native American <1%.

## Admissions

**Average high school GPA:** 2.90. 5% in top 10% of high school class, 21% in top 25% of high school class, 56% in top 50% of high school class. ACT middle 50% range 15–19. SAT Math middle 50% range 380–440. SAT Critical Reading middle 50% range 370–450. SAT Writing middle 50% range 360–440. Minimum paper TOEFL 500.

## Costs and Financial Aid

**Annual in-state tuition:** \$5,076. **Annual out-of-state tuition:** \$14,376. **Room & board:** \$7,064. **Required fees:** \$1,779. **Average book expense:** \$1,000. 69% first-year, 69% undergrads receive need-based scholarship or grant aid. 63% first-year, 63% undergrads receive need-based self-help aid. 61% first-year, 53% undergrads receive any aid. 1% of first-year need met, 76% undergrads borrow to pay for school. **Average cumulative indebtedness:** \$24,500. **Number of students in Engineering program:** 1,075  
**Engineering majors:** mechanical; electrical; civil; chemical; engineering

# PRINCETON UNIVERSITY

PO Box 430, PRINCETON, NJ 08544-0430  
PHONE: 609-258-3060 • E-MAIL: UAOFFICE@PRINCETON.EDU  
WEBSITE: WWW.PRINCETON.EDU

## Student Body

**Enrollment:** 5,258. **Student Body:** Asian 21%, African American 8%, Caucasian 46%, Hispanic 8%, International 11%, Native American <1%.

## Admissions

**Average high school GPA:** 3.91. 96% in top 10% of high school class, 99% in top 25% of high school class, 100% in top 50% of high school class. 60% from public high schools. ACT middle 50% range 31–35. SAT Math middle 50% range 710–800. SAT Critical Reading middle 50% range 690–800. SAT Writing middle 50% range 700–800. Minimum paper TOEFL 600.

## Costs and Financial Aid

**Annual tuition:** \$41,820. **Room & board:** \$13,620. **Average book expense:** \$1,050. 100% first-year, 100% undergrads receive need-based scholarship or grant aid. 100% first-year, 100% undergrads receive need-based self-help aid. 59% first-year, 59% undergrads receive any aid. 100% of first-year need met, 100% of undergrad need met. 17% undergrads borrow to pay for school. **Average cumulative indebtedness:** \$7,132.

**Number of students in Engineering program:** 955  
**Engineering majors:** chemical; civil; computer; electrical; mechanical; operations research; computer  
19.7% of all Bachelor's Degrees awarded in Engineering.

# PURDUE UNIVERSITY—CALUMET

OFFICE OF ADMISSIONS, HAMMOND, IN 46323-2094  
PHONE: 219-989-2213 • E-MAIL: ADMS@PURDUECAL.EDU  
WEBSITE: HTTP://WWW.PURDUECAL.EDU/

## Student Body

**Enrollment:** 8,403. **Student Body:** Asian 1%, African American 19%, Caucasian 60%, Hispanic 15%, International 3%, Native American <1%.

## Admissions

**Average high school GPA:** 2.58. 10% in top 10% of high school class, 28% in top 25% of high school class, 58% in top 50% of high school class. ACT middle 50% range 17–23. SAT Math middle 50% range 410–520. SAT Critical Reading middle 50% range 410–510. Minimum paper TOEFL 550.

## Costs and Financial Aid

**Average book expense:** \$1,125. 61% first-year, 61% undergrads receive need-based scholarship or grant aid. 65% first-year, 72% undergrads receive need-based self-help aid. 12% of first-year need met, 12% of undergrad need met. 62% undergrads borrow to pay for school. **Average cumulative indebtedness:** \$18,719.

**Number of students in Engineering program:** 518

**Engineering majors:** engineering; chemical; civil; computer; electrical; mechanical; metallurgical

51% of all Bachelor's Degrees awarded in Engineering.

**Computer science:** 59% of all Bachelor's Degrees awarded in Computer and Information Sciences.

# PURDUE UNIVERSITY—WEST LAFAYETTE

475 STADIUM MALL DRIVE, WEST LAFAYETTE, IN 47907-2050  
PHONE: 765-494-1776 • E-MAIL: ADMISSIONS@PURDUE.EDU  
WEBSITE: WWW.PURDUE.EDU

## Student Body

**Enrollment:** 29,038. **Student Body:** Asian 6%, African American 3%, Caucasian 65%, Hispanic 4%, International 18%, Native American <1%.

## Admissions

**Average high school GPA:** 3.72. 42% in top 10% of high school class, 77% in top 25% of high school class, 97% in top 50% of high school class. ACT middle 50% range 25–30. SAT Math middle 50% range 560–700. SAT Critical Reading middle 50% range 520–630. SAT Writing middle 50% range 520–630. Minimum paper TOEFL 550, minimum web-based TOEFL 79.

## Costs and Financial Aid

64% first-year, 64% undergrads receive need-based scholarship or grant aid. 69% first-year, 85% undergrads receive need-based self-help aid. 74% first-year, 77% undergrads receive any aid. 81% of first-year need met, 85% of undergrad need met. 52% undergrads borrow to pay for school. **Average cumulative indebtedness:** \$22,765.

**Number of students in Engineering program:** 7,463

**Engineering majors:** engineering; aerospace, aeronautical and astronautical/space; agricultural; architectural; bioengineering and biomedical; chemical; civil; geotechnical and geoenvironmental; structural; transportation and highway; water resources; civil; computer; computer hardware; computer software; computer engineering; electrical; mechanics; environmental; materials; mechanical; metallurgical; nuclear; systems; polymer/plastics; construction; industrial; manufacturing; operations research; surveying; geological/geophysical  
21.4% of all Bachelor's Degrees awarded in Engineering.

**Computer science:** 5% of all Bachelor's Degrees awarded in Computer and Information Sciences.

# QUINNIPIAC UNIVERSITY

275 MOUNT CARMEL AVENUE, HAMDEN, CT 06518  
PHONE: 203-582-8600 • E-MAIL: ADMISSIONS@QUINNIPIAC.EDU  
WEBSITE: WWW.QUINNIPIAC.EDU

## Student Body

**Enrollment:** 6,503. **Student Body:** Asian 2%, African American 5%, Caucasian 75%, Hispanic 9%, International 2%, Native American <1%.

### Admissions

**Average high school GPA:** 3.40. 27% in top 10% of high school class, 66% in top 25% of high school class, 93% in top 50% of high school class. 70% from public high schools. ACT middle 50% range 22–27. SAT Math middle 50% range 520–620. SAT Critical Reading middle 50% range 490–590. SAT Writing middle 50% range 500–590. Minimum paper TOEFL 550, minimum web-based TOEFL 81.

### Costs and Financial Aid

**Annual tuition:** \$40,720. **Room & board:** \$14,820. **Required fees:** \$1,550. **Average book expense:** \$800. 97% first-year, 97% undergrads receive need-based scholarship or grant aid. 96% first-year, 82% undergrads receive need-based self-help aid. 88% first-year, 83% undergrads receive any aid. 68% of first-year need met, 65% of undergrad need met. 71% undergrads borrow to pay for school. **Average cumulative indebtedness:** \$25,906. **Engineering majors:** engineering; civil; computer software; mechanical; industrial **Computer science:** 3% of all Bachelor's Degrees awarded in Computer and Information Sciences.

## RADFORD UNIVERSITY

PO Box 6903, RADFORD, VA 24142

PHONE: 540-831-5371 • E-MAIL: ADMISSIONS@RADFORD.EDU

WEBSITE: WWW.RADFORD.EDU

### Student Body

**Enrollment:** 8,843. **Student Body:** Asian 1%, African American 12%, Caucasian 74%, Hispanic 5%, International 1%, Native American <1%.

### Admissions

**Average high school GPA:** 3.20. 5% in top 10% of high school class, 20% in top 25% of high school class, 60% in top 50% of high school class. 94% from public high schools. ACT middle 50% range 18–22. SAT Math middle 50% range 440–530. SAT Critical Reading middle 50% range 450–530. SAT Writing middle 50% range 430–520. Minimum paper TOEFL 520, minimum web-based TOEFL 68.

### Costs and Financial Aid

**Annual in-state tuition:** \$6,386. **Annual out-of-state tuition:** \$18,626. **Room & board:** \$8,406. **Required fees:** \$2,974. **Average book expense:** \$1,100. 60% first-year, 60% undergrads receive need-based scholarship or grant aid. 63% first-year, 82% undergrads receive need-based self-help aid. 75% first-year, 74% undergrads receive any aid. 79% of first-year need met, 80% of undergrad need met. 62% undergrads borrow to pay for school. **Average cumulative indebtedness:** \$22,771. **Computer science:** 4% of all Bachelor's Degrees awarded in Computer and Information Sciences.

## REGIS UNIVERSITY

3333 REGIS BOULEVARD, DENVER, CO 80221-1099

PHONE: 303-458-4900 • E-MAIL: REGISADM@REGIS.EDU

WEBSITE: WWW.REGIS.EDU

### Student Body

**Enrollment:** 4,697. **Student Body:** Asian 4%, African American 5%, Caucasian 61%, Hispanic 19%, International 1%, Native American 1%.

### Admissions

**Average high school GPA:** 3.48. 22% in top 10% of high school class, 50% in top 25% of high school class, 79% in top 50% of high school class. ACT middle 50% range 22–27. SAT Math middle 50% range 470–590. SAT Critical Reading middle 50% range 480–600. SAT Writing middle 50% range 470–590. Minimum paper TOEFL 550, minimum web-based TOEFL 82.

### Costs and Financial Aid

**Annual tuition:** \$33,110. **Room & board:** \$9,830. **Required fees:** \$600. **Average book expense:** \$1,800. 97% first-year, 97% undergrads receive need-based scholarship or grant aid. 81% first-year, 82% undergrads receive need-based self-help aid. 98% first-year, 64% undergrads receive any aid. 81% of first-year need met, 77% of undergrad need met. 68% undergrads borrow to pay for school. **Average cumulative indebtedness:** \$25,714. **Computer science:** 5% of all Bachelor's Degrees awarded in Computer and Information Sciences.

## RENSELAER POLYTECHNIC INSTITUTE

110 EIGHTH STREET, TROY, NY 12180-3590

PHONE: 518-276-6216 • E-MAIL: ADMISSIONS@RPI.EDU

WEBSITE: WWW.RPI.EDU

### Student Body

**Enrollment:** 5,557. **Student Body:** Asian 10%, African American 3%, Caucasian 62%, Hispanic 7%, International 9%, Native American <1%.

### Admissions

**Average high school GPA:** 3.77. 69% in top 10% of high school class, 95% in top 25% of high school class, 99% in top 50% of high school class. 68% from public high schools. ACT middle 50% range 27–32. SAT Math middle 50% range 680–770. SAT Critical Reading middle 50% range 620–720. Minimum paper TOEFL 570, minimum web-based TOEFL 88.

### Costs and Financial Aid

**Annual tuition:** \$46,700. **Room & board:** \$13,620. **Required fees:** \$1,208. **Average book expense:** \$2,670. 100% first-year, 100% undergrads receive need-based scholarship or grant aid. 100% first-year, 96% undergrads receive need-based self-help aid. 90% first-year, 91% undergrads receive any aid. 85% of first-year need met, 77% of undergrad need met. 66% undergrads borrow to pay for school. **Number of students in Engineering program:** 3,277 **Engineering majors:** Engineering; aerospace, aeronautical and astronautical/space; bioengineering and biomedical; chemical; civil; transportation and highway; computer; electrical; mechanics; physics; science; environmental; materials; mechanical; nuclear; industrial; manufacturing; operations research 53% of all Bachelor's Degrees awarded in Engineering. **Computer science:** 10% of all Bachelor's Degrees awarded in Computer and Information Sciences.

## RICE UNIVERSITY

MS 17 PO Box 1892, HOUSTON, TX 77251-1892

PHONE: 713-348-7423 • E-MAIL: ADMI@RICE.EDU

WEBSITE: WWW.RICE.EDU

### Student Body

**Enrollment:** 3,920. **Student Body:** Asian 21%, African American 6%, Caucasian 39%, Hispanic 15%, International 11%, Native American <1%.

### Admissions

87% in top 10% of high school class, 97% in top 25% of high school class, 100% in top 50% of high school class. ACT middle 50% range 31–34. SAT Math middle 50% range 700–790. SAT Critical Reading middle 50% range 670–760. SAT Writing middle 50% range 670–770. Minimum paper TOEFL 600, minimum web-based TOEFL 100.

### Costs and Financial Aid

**Annual tuition:** \$38,260. **Room & board:** \$13,000. **Required fees:** \$681. **Average book expense:** \$800. 100% first-year, 100% undergrads receive need-based scholarship or grant aid. 100% first-year, 57% undergrads receive need-based self-help aid. 100% of first-year need met, 100% of undergrad need met. 30% undergrads borrow to pay for school. **Average cumulative indebtedness:** \$13,791. **Engineering majors:** bioengineering and biomedical; chemical; civil; electrical; environmental; materials; mechanical 23% of all Bachelor's Degrees awarded in Engineering. **Computer science:** 4% of all Bachelor's Degrees awarded in Computer and Information Sciences.

## ROBERT MORRIS UNIVERSITY

6001 UNIVERSITY BOULEVARD, MOON TOWNSHIP, PA 15108-1189

PHONE: 412-397-5200 • E-MAIL: ADMISSIONSOFFICE@RMU.EDU

WEBSITE: WWW.RMU.EDU

### Student Body

**Enrollment:** 4,548. **Student Body:** Asian 1%, African American 6%, Caucasian 75%, Hispanic 2%, International 10%, Native American <1%.

### Admissions

**Average high school GPA:** 3.47. 19% in top 10% of high school class, 48% in top 25% of high school class, 80% in top 50% of high school class. 87% from public high schools. ACT middle 50% range 20–24. SAT Math middle 50% range 470–570. SAT Critical Reading middle 50% range 480–590. SAT Writing

middle 50% range 440–540. Minimum paper TOEFL 500, minimum web-based TOEFL 61.

### Costs and Financial Aid

**Room & board:** \$11,810. **Required fees:** \$779. **Average book expense:** \$1,200. 100% first-year, 100% undergrads receive need-based scholarship or grant aid. 97% first-year, 88% undergrads receive need-based self-help aid. 76% of first-year need met, 77% undergrads receive any aid. 75% of first-year need met, 73% of undergrad need met. 85% undergrads borrow to pay for school. **Average cumulative indebtedness:** \$28,519.

**Number of students in Engineering program:** 532

**Engineering majors:** computer software; manufacturing  
8.3% of all Bachelor's Degrees awarded in Engineering.

**Computer science:** 1% of all Bachelor's Degrees awarded in Computer and Information Sciences.

## ROCHESTER INSTITUTE OF TECHNOLOGY

60 LOMB MEMORIAL DRIVE, ROCHESTER, NY 14623-5604

PHONE: 585-475-5502 • E-MAIL: ADMISSIONS@RIT.EDU

WEBSITE: WWW.RIT.EDU

### Student Body

**Enrollment:** 13,005. **Student Body:** Asian 6%, African American 5%, Caucasian 61%, Hispanic 6%, International 5%, Native American <1%.

### Admissions

**Average high school GPA:** 3.60. 32% in top 10% of high school class, 67% in top 25% of high school class, 95% in top 50% of high school class. 85% from public high schools. ACT middle 50% range 26–31. SAT Math middle 50% range 570–680. SAT Critical Reading middle 50% range 540–640. SAT Writing middle 50% range 520–630. Minimum paper TOEFL 550, minimum web-based TOEFL 79.

### Costs and Financial Aid

**Annual tuition:** \$35,256. **Room & board:** \$11,568. **Required fees:** \$512.

**Average book expense:** \$1,050. 95% first-year, 95% undergrads receive need-based scholarship or grant aid. 93% first-year, 91% undergrads receive need-based self-help aid. 87% first-year, 77% undergrads receive any aid. 87% of first-year need met, 87% of undergrad need met. 68% undergrads borrow to pay for school.

**Engineering majors:** engineering; aerospace, aeronautical and astronautical; space; bioengineering and biomedical; chemical; computer; computer hardware; computer software; electrical; science; materials; mechanical; systems; industrial; manufacturing; mechanical

15.1% of all Bachelor's Degrees awarded in Engineering.

**Computer science:** 18% of all Bachelor's Degrees awarded in Computer and Information Sciences.

## ROGER WILLIAMS UNIVERSITY

ONE OLD FERRY ROAD, BRISTOL, RI 02809-2921

PHONE: 401-254-3500 • E-MAIL: ADMIT@RWU.EDU

WEBSITE: WWW.RWU.EDU

### Student Body

**Enrollment:** 4,370. **Student Body:** Asian 1%, African American 2%, Caucasian 76%, Hispanic 5%, International 5%, Native American <1%.

### Admissions

85% from public high schools. SAT Math middle 50% range 500–600. SAT Critical Reading middle 50% range 480–580. SAT Writing middle 50% range 480–580. Minimum paper TOEFL 500, minimum web-based TOEFL 61.

### Costs and Financial Aid

**Annual tuition:** \$29,976. **Room & board:** \$14,120. **Required fees:** \$1,692.

**Average book expense:** \$900. 95% first-year, 95% undergrads receive need-based scholarship or grant aid. 93% first-year, 84% undergrads receive need-based self-help aid. 81% first-year, 82% undergrads receive any aid. 83% of first-year need met, 83% of undergrad need met. 67% undergrads borrow to pay for school. **Average cumulative indebtedness:** \$23,965.

**Number of students in Engineering program:** 426

**Engineering majors:** engineering

3% of all Bachelor's Degrees awarded in Engineering.

## ROSE-HULMAN INSTITUTE OF TECHNOLOGY

5500 WABASH AVENUE, TERRE HAUTE, IN 47803-3999

PHONE: 812-877-8213 • E-MAIL: ADMISSIONS@ROSE-HULMAN.EDU

WEBSITE: WWW.ROSE-HULMAN.EDU

### Student Body

**Enrollment:** 2,208. **Student Body:** Asian 4%, African American 2%, Caucasian 76%, Hispanic 3%, International 11%, Native American <1%.

### Admissions

**Average high school GPA:** 3.96. 63% in top 10% of high school class, 94% in top 25% of high school class, 100% in top 50% of high school class. ACT middle 50% range 27–32. SAT Math middle 50% range 640–740. SAT Critical Reading middle 50% range 550–660. SAT Writing middle 50% range 540–640. Minimum paper TOEFL 550, minimum web-based TOEFL 80.

### Costs and Financial Aid

**Annual tuition:** \$40,449. **Room & board:** \$12,057. **Required fees:** \$834.

**Average book expense:** \$1,500. 88% first-year, 88% undergrads receive need-based scholarship or grant aid. 87% first-year, 89% undergrads receive need-based self-help aid. 99% first-year, 96% undergrads receive any aid. 76% of first-year need met, 74% of undergrad need met. 64% undergrads borrow to pay for school. **Average cumulative indebtedness:** \$26,007

**Number of students in Engineering program:** 1,885

**Engineering majors:** bioengineering and biomedical; chemical; civil; computer; computer software; electrical; physics; electrical

82.2% of all Bachelor's Degrees awarded in Engineering.

**Computer science:** 7% of all Bachelor's Degrees awarded in Computer and Information Sciences.

## ROWAN UNIVERSITY

SAVITZ HALL 201 MULLICA HILL ROAD, GLASSBORO, NJ 08028-1701

PHONE: 856-256-4200 • E-MAIL: ADMISSIONS@ROWAN.EDU

WEBSITE: WWW.ROWAN.EDU

### Student Body

**Enrollment:** 11,819. **Student Body:** Asian 6%, African American 9%, Caucasian 69%, Hispanic 9%, International 1%, Native American <1%.

### Admissions

**Average high school GPA:** 3.46. SAT Math middle 50% range 520–630. SAT Critical Reading middle 50% range 490–590. SAT Writing middle 50% range 480–580. Minimum paper TOEFL 550, minimum web-based TOEFL 79.

### Costs and Financial Aid

**Annual in-state tuition:** \$9,076. **Annual out-of-state tuition:** \$17,030.

**Room & board:** \$11,406. **Required fees:** \$3,540. **Average book expense:** \$1,500. 45% first-year, 45% undergrads receive need-based scholarship or grant aid. 100% first-year, 80% undergrads receive need-based self-help aid. 87% first-year, 80% undergrads receive any aid. 84% of first-year need met, 79% of undergrad need met. 73% undergrads borrow to pay for school. **Average cumulative indebtedness:** \$24,024.

**Number of students in Engineering program:** 828

**Engineering majors:** biomedical/medical; chemical; civil; computer software; electrical; mechanical

4.5% of all Bachelor's Degrees awarded in Engineering.

**Computer science:** 2% of all Bachelor's Degrees awarded in Computer and Information Sciences.

## RUTGERS, THE STATE UNIVERSITY OF NEW JERSEY—NEW BRUNSWICK

RUTGERS VISITOR CENTER, 100 SUTPHEN ROAD, PISCATAWAY, NJ 08854-8097

PHONE: 732-932-4636 • E-MAIL: ADMISSIONS@UGADM.RUTGERS.EDU

WEBSITE: WWW.RUTGERS.EDU

### Student Body

**Enrollment:** 25,951. **Student Body:** Asian 33%, African American 10%, Caucasian 58%, Hispanic 16%, International 5%, Native American <1%.

### Admissions

22% in top 10% of high school class, 52% in top 25% of high school class, 88% in top 50% of high school class. ACT middle 50% range 25–31. SAT Math middle 50% range 570–690. SAT Critical Reading middle 50% range 520–640. SAT Writing middle 50% range 540–650. Minimum paper TOEFL 550.

### Costs and Financial Aid

**Annual in-state tuition:** \$10,718. **Annual out-of-state tuition:** \$24,742. **Room & board:** \$11,578. **Required fees:** \$2,781. **Average book expense:** \$1,550. 63% first-year, 63% undergrads receive need-based scholarship or grant aid. 64% first-year, 86% undergrads receive need-based self-help aid. 67% first-year, 69% undergrads receive any aid. 52% of first-year need met, 52% of undergrad need met. 57% undergrads borrow to pay for school. **Average cumulative indebtedness:** \$20,844.

**Number of students in Engineering program:** 1,691

**Engineering majors:** engineering; agricultural; bioengineering and biomedical; ceramic sciences; chemical; civil; electrical; science; mechanical; industrial 9.5% of all Bachelor's Degrees awarded in Engineering.

**Computer science:** 4% of all Bachelor's Degrees awarded in Computer and Information Sciences.

## SAGINAW VALLEY STATE UNIVERSITY

7400 BAY ROAD, UNIVERSITY CENTER, MI 48710

PHONE: 989-964-4200 • E-MAIL: ADMISSIONS@SVSU.EDU

WEBSITE: WWW.SVSU.EDU

### Student Body

**Enrollment:** 8,453. **Student Body:** Asian 1%, African American 11%, Caucasian 72%, Hispanic 4%, International 5%, Native American <1%.

### Admissions

**Average high school GPA:** 3.30. 21% in top 10% of high school class, 43% in top 25% of high school class, 75% in top 50% of high school class. ACT middle 50% range 19–25. Minimum paper TOEFL 500, minimum web-based TOEFL 61.

### Costs and Financial Aid

71% first-year, 71% undergrads receive need-based scholarship or grant aid. 71% first-year, 90% undergrads receive need-based self-help aid. 94% first-year, 95% undergrads receive any aid.

**Number of students in Engineering program:** 552

**Engineering majors:** electrical; mechanical 3.4% of all Bachelor's Degrees awarded in Engineering.

**Computer science:** 4% of all Bachelor's Degrees awarded in Computer and Information Sciences.

## SAINT CLOUD STATE UNIVERSITY

720 SOUTH 4TH AVENUE, SAINT CLOUD, MN 56301-4498

PHONE: 320-308-2244 • E-MAIL: SCSU4U@STCLOUDSTATE.EDU

### Student Body

**Enrollment:** 13,120. **Student Body:** Asian 2%, African American 2%, Caucasian 72%, Hispanic 1%, International 4%, Native American 1%.

### Admissions

7% in top 10% of high school class, 29% in top 25% of high school class, 76% in top 50% of high school class. 99% from public high schools. ACT middle 50% range 19–24. Minimum paper TOEFL 500.

### Costs and Financial Aid

**Annual in-state tuition:** \$4,760. **Annual out-of-state tuition:** \$10,332. **Room & board:** \$4,688. **Required fees:** \$562. **Average book expense:** \$1,000. 79% first-year, 79% undergrads receive need-based scholarship or grant aid. 76% first-year, 99% undergrads receive need-based self-help aid. 94% of first-year need met, 96% of undergrad need met. 52% undergrads borrow to pay for school.

**Engineering majors:** computer; electrical; mechanical; manufacturing 1.9% of all Bachelor's Degrees awarded in Engineering.

**Computer science:** 1% of all Bachelor's Degrees awarded in Computer and Information Sciences.

## SAINT LOUIS UNIVERSITY

ONE NORTH GRAND BOULEVARD, SAINT LOUIS, MO 63103

PHONE: 314-977-2500 • E-MAIL: ADMISSION@SLU.EDU

WEBSITE: WWW.SLU.EDU

### Student Body

**Enrollment:** 8,271. **Student Body:** Asian 8%, African American 7%, Caucasian 66%, Hispanic 5%, International 7%, Native American <1%.

### Admissions

**Average high school GPA:** 3.83. 43% in top 10% of high school class, 72% in top 25% of high school class, 91% in top 50% of high school class. ACT middle 50% range 25–30. SAT Math middle 50% range 550–670. SAT Critical Reading middle 50% range 540–660. Minimum paper TOEFL 550, minimum web-based TOEFL 80.

### Costs and Financial Aid

**Annual tuition:** \$37,350. **Room & board:** \$10,380. **Required fees:** \$616.

**Average book expense:** \$1,500. 97% first-year, 97% undergrads receive need-based scholarship or grant aid. 95% first-year, 75% undergrads receive need-based self-help aid. 95% first-year, 87% undergrads receive any aid. 73% of first-year need met, 69% of undergrad need met. 61% undergrads borrow to pay for school. **Average cumulative indebtedness:** \$23,769.

**Number of students in Engineering program:** 639

**Engineering majors:** engineering; aerospace, aeronautical and astronautical/space; bioengineering and biomedical; civil; computer; electrical; physics; mechanical

6.2% of all Bachelor's Degrees awarded in Engineering.

**Computer science:** 2% of all Bachelor's Degrees awarded in Computer and Information Sciences.

## SAINT MARTIN'S UNIVERSITY

5000 ABBEY WAY SE, LACEY, WA 98503-7500

PHONE: 360-438-4596 • E-MAIL: ADMISSIONS@STMARTIN.EDU

WEBSITE: WWW.STMARTIN.EDU

### Student Body

**Enrollment:** 1,275. **Student Body:** Asian 5%, African American 5%, Caucasian 58%, Hispanic 12%, International 6%, Native American 1%.

### Admissions

**Average high school GPA:** 3.46. 24% in top 10% of high school class, 58% in top 25% of high school class, 86% in top 50% of high school class. 95% from public high schools. ACT middle 50% range 20–28. SAT Math middle 50% range 475–590. SAT Critical Reading middle 50% range 460–565. SAT Writing middle 50% range 450–565. Minimum paper TOEFL 480, minimum web-based TOEFL 54.

### Costs and Financial Aid

**Annual tuition:** \$31,300. **Room & board:** \$9,990. **Required fees:** \$388.

**Average book expense:** \$1,000. 100% first-year, 100% undergrads receive need-based scholarship or grant aid. 99% first-year, 82% undergrads receive need-based self-help aid. 83% of first-year need met, 79% of undergrad need met. 79% undergrads borrow to pay for school. **Average cumulative indebtedness:** \$24,008.

**Number of students in Engineering program:** 217

**Engineering majors:** civil; mechanical 11.5% of all Bachelor's Degrees awarded in Engineering.

**Computer science:** 1% of all Bachelor's Degrees awarded in Computer and Information Sciences.

## SALEM STATE UNIVERSITY

352 LAFAYETTE STREET, SALEM, MA 01970

PHONE: 978-542-6210 • E-MAIL: ADMISSIONS@SALEMSTATE.EDU

WEBSITE: WWW.SALEMSTATE.EDU

### Student Body

**Enrollment:** 7,296. **Student Body:** Asian 3%, African American 9%, Caucasian 76%, Hispanic 7%, International 3%, Native American <1%.

### Admissions

SAT Math middle 50% range 450–540. SAT Critical Reading middle 50% range 440–550. Minimum paper TOEFL 500.

### Costs and Financial Aid

73% first-year, 75% undergrads receive any aid.

**Computer science:** 1% of all Bachelor's Degrees awarded in Computer and Information Sciences.

# SAN DIEGO STATE UNIVERSITY

5500 CAMPANILE DRIVE, SAN DIEGO, CA 92182-7455

PHONE: 619-594-6336

WEBSITE: WWW.SDSU.EDU

## Student Body

**Enrollment:** 28,362. **Student Body:** Asian 13%, African American 4%, Caucasian 35%, Hispanic 31%, International 6%, Native American <1%.

## Admissions

**Average high school GPA:** 3.69. 29% in top 10% of high school class, 77% in top 25% of high school class, 98% in top 50% of high school class. 92% from public high schools. ACT middle 50% range 22–27. SAT Math middle 50% range 510–620. SAT Critical Reading middle 50% range 490–600. SAT Writing middle 50% range 490–590. Minimum paper TOEFL 550, minimum web-based TOEFL 80.

## Costs and Financial Aid

**Annual in-state tuition:** \$5,472. **Annual out-of-state tuition:** \$16,632. **Room & board:** \$14,745. **Required fees:** \$1,394. **Average book expense:** \$1,762. 67% first-year, 67% undergrads receive need-based scholarship or grant aid. 74% first-year, 92% undergrads receive need-based self-help aid. 59% first-year, 63% undergrads receive any aid. 66% of first-year need met, 70% of undergrad need met. 49% undergrads borrow to pay for school. **Average cumulative indebtedness:** \$18,400.

**Number of students in Engineering program:** 3,133

**Engineering majors:** engineering; aerospace, aeronautical and astronautical/space; civil; computer; electrical; environmental; mechanical  
5.8% of all Bachelor's Degrees awarded in Engineering.

**Computer science:** 2% of all Bachelor's Degrees awarded in Computer and Information Sciences.

# SAN FRANCISCO STATE UNIVERSITY

1600 HOLLOWAY AVENUE, SAN FRANCISCO, CA 94132

PHONE: 415-338-6486 • E-MAIL: UGADMIT@SFSU.EDU

WEBSITE: WWW.SFSU.EDU

## Student Body

**Enrollment:** 25,170. **Student Body:** Asian 28%, African American 5%, Caucasian 23%, Hispanic 22%, International 6%, Native American <1%.

## Admissions

**Average high school GPA:** 3.22. 88% from public high schools. ACT middle 50% range 18–24. SAT Math middle 50% range 440–560. SAT Critical Reading middle 50% range 430–550. Minimum paper TOEFL 500, minimum web-based TOEFL 61.

## Costs and Financial Aid

**Annual in-state tuition:** \$5,472. **Annual out-of-state tuition:** \$16,632. **Room & board:** \$11,876. **Required fees:** \$996. **Average book expense:** \$1,826. 95% first-year, 95% undergrads receive need-based scholarship or grant aid. 95% first-year, 94% undergrads receive need-based self-help aid. 73% of first-year need met, 72% of undergrad need met. 48% undergrads borrow to pay for school. **Average cumulative indebtedness:** \$21,702.

**Number of students in Engineering program:** 1,062

**Engineering majors:** civil; computer; electrical; mechanical  
2.5% of all Bachelor's Degrees awarded in Engineering.

**Computer science:** 1% of all Bachelor's Degrees awarded in Computer and Information Sciences.

# SAN JOSE STATE UNIVERSITY

ONE WASHINGTON SQUARE, SAN JOSE, CA 95192-0016

PHONE: 408-283-7500 • E-MAIL: ADMISSIONS@SJSU.EDU

WEBSITE: WWW.SJSU.EDU

## Student Body

**Enrollment:** 26,664. **Student Body:** Asian 35%, African American 3%, Caucasian 21%, Hispanic 25%, International 5%, Native American <1%.

## Admissions

**Average high school GPA:** 3.31. 77% from public high schools. ACT middle 50% range 18–27. SAT Math middle 50% range 450–600. SAT Critical Reading middle 50% range 450–600. SAT Writing middle 50% range 440–560. Minimum paper TOEFL 550, minimum web-based TOEFL 80.

## Costs and Financial Aid

**Annual out-of-state tuition:** \$11,160. **Room & board:** \$11,810. **Required fees:** \$7,323. **Average book expense:** \$1,826. 69% first-year, 69% undergrads receive need-based scholarship or grant aid. 71% first-year, 49% undergrads receive need-based self-help aid. 40% first-year, 39% undergrads receive any aid. 76% of first-year need met, 75% of undergrad need met. 45% undergrads borrow to pay for school. **Average cumulative indebtedness:** \$21,237.

**Number of students in Engineering program:** 2,947

**Engineering majors:** engineering; aerospace, aeronautical and astronautical/space; bioengineering and biomedical; chemical; civil; computer; computer software; electrical; environmental; materials; mechanical; industrial; electrical  
8.5% of all Bachelor's Degrees awarded in Engineering.

**Computer science:** 2% of all Bachelor's Degrees awarded in Computer and Information Sciences.

# SANTA CLARA UNIVERSITY

500 EL CAMINO REAL, SANTA CLARA, CA 95053

PHONE: 408-554-4700 • E-MAIL: ADMISSION@SCU.EDU

WEBSITE: WWW.SCU.EDU

## Student Body

**Enrollment:** 5,447. **Student Body:** Asian 15%, African American 3%, Caucasian 48%, Hispanic 17%, International 3%, Native American <1%.

## Admissions

**Average high school GPA:** 3.67. 54% in top 10% of high school class, 86% in top 25% of high school class, 97% in top 50% of high school class. 45% from public high schools. ACT middle 50% range 27–32. SAT Math middle 50% range 620–710. SAT Critical Reading middle 50% range 590–680. Minimum paper TOEFL 575, minimum web-based TOEFL 90.

## Costs and Financial Aid

**Annual tuition:** \$43,812. **Room & board:** \$12,921. **Average book expense:** \$1,746. 84% first-year, 84% undergrads receive need-based scholarship or grant aid. 69% first-year, 51% undergrads receive need-based self-help aid. 72% first-year, 83% undergrads receive any aid. 81% of first-year need met, 72% of undergrad need met. 56% undergrads borrow to pay for school. **Average cumulative indebtedness:** \$22,084.

**Number of students in Engineering program:** 990

**Engineering majors:** engineering; bioengineering and biomedical; civil; computer; electrical; physics; mechanical  
16.2% of all Bachelor's Degrees awarded in Engineering.

**Computer science:** 1% of all Bachelor's Degrees awarded in Computer and Information Sciences.

# SAVANNAH STATE UNIVERSITY

COLLEGE STATION, SAVANNAH, GA 31404

PHONE: 912-356-2181 • E-MAIL: SSUADMISSIONS@SAVSTATE.EDU

WEBSITE: WWW.SAVSTATE.EDU

## Admissions

94% from public high schools.

## Costs and Financial Aid

**Average book expense:** \$750.

# SEATTLE PACIFIC UNIVERSITY

3307 3RD AVENUE WEST, SEATTLE, WA 98119-1997

PHONE: 206-281-2021 • E-MAIL: ADMISSIONS@SPU.EDU

WEBSITE: WWW.SPU.EDU

## Student Body

**Enrollment:** 3,248. **Student Body:** Asian 11%, African American 4%, Caucasian 63%, Hispanic 7%, International 2%, Native American <1%.

## Admissions

**Average high school GPA:** 3.55. 1% in top 10% of high school class, 3% in top 25% of high school class, 14% in top 50% of high school class. ACT middle 50% range 23–28. SAT Math middle 50% range 510–620. SAT Critical Reading middle 50% range 520–630. SAT Writing middle 50% range 500–610. Minimum paper TOEFL 550, minimum web-based TOEFL 79.

### Costs and Financial Aid

**Annual tuition:** \$35,100. **Room & board:** \$10,086. **Required fees:** \$372. **Average book expense:** \$1,026. 100% first-year, 100% undergrads receive need-based scholarship or grant aid. 99% first-year, 94% undergrads receive need-based self-help aid. 83% of first-year need met, 80% of undergrad need met. 71% undergrads borrow to pay for school. **Average cumulative indebtedness:** \$24,673.  
**Engineering majors:** computer; electrical; science  
3% of all Bachelor's Degrees awarded in Engineering.  
**Computer science:** 2% of all Bachelor's Degrees awarded in Computer and Information Sciences.

## SEATTLE UNIVERSITY

ADMISSIONS OFFICE, SEATTLE, WA 98122-1090  
**PHONE:** 206-296-2000 • **E-MAIL:** ADMISSIONS@SEATTLEU.EDU  
**WEBSITE:** WWW.SEATTLEU.EDU

### Student Body

**Enrollment:** 4,461. **Student Body:** Asian 16%, African American 3%, Caucasian 45%, Hispanic 9%, International 11%, Native American 1%.

### Admissions

**Average high school GPA:** 3.58. 27% in top 10% of high school class, 62% in top 25% of high school class, 92% in top 50% of high school class. 63% from public high schools. ACT middle 50% range 24–29. SAT Math middle 50% range 530–640. SAT Critical Reading middle 50% range 530–640. SAT Writing middle 50% range 530–630. Minimum paper TOEFL 520, minimum web-based TOEFL 68.

### Costs and Financial Aid

90% first-year, 90% undergrads receive need-based scholarship or grant aid. 92% first-year, 74% undergrads receive need-based self-help aid. 93% first-year, 84% undergrads receive any aid. 67% of first-year need met, 67% of undergrad need met. 73% undergrads borrow to pay for school. **Average cumulative indebtedness:** \$25,027.  
**Number of students in Engineering program:** 374  
**Engineering majors:** civil; electrical; environmental; mechanical  
6.9% of all Bachelor's Degrees awarded in Engineering.  
**Computer science:** 2% of all Bachelor's Degrees awarded in Computer and Information Sciences.

## SHIPPENSBURG UNIVERSITY OF PENNSYLVANIA

OLD MAIN 105, SHIPPENSBURG, PA 17257-2299  
**PHONE:** 717-477-1231 • **E-MAIL:** ADMISS@SHIP.EDU  
**WEBSITE:** WWW.SHIP.EDU

### Student Body

**Enrollment:** 6,246. **Student Body:** Asian 1%, African American 9%, Caucasian 79%, Hispanic 5%, International 0%, Native American <1%.

### Admissions

**Average high school GPA:** 3.20. 7% in top 10% of high school class, 25% in top 25% of high school class, 59% in top 50% of high school class. 90% from public high schools. ACT middle 50% range 17–23. SAT Math middle 50% range 450–550. SAT Critical Reading middle 50% range 440–540. SAT Writing middle 50% range 420–510. Minimum paper TOEFL 550, minimum web-based TOEFL 66.

### Costs and Financial Aid

**Annual in-state tuition:** \$6,820. **Annual out-of-state tuition:** \$15,346. **Room & board:** \$11,160. **Required fees:** \$2,954. **Average book expense:** \$1,200. 73% first-year, 73% undergrads receive need-based scholarship or grant aid. 70% first-year, 90% undergrads receive need-based self-help aid. 89% first-year, 86% undergrads receive any aid. 52% of first-year need met, 55% of undergrad need met. 80% undergrads borrow to pay for school. **Average cumulative indebtedness:** \$24,327.  
**Engineering majors:** computer software; electrical  
1% of all Bachelor's Degrees awarded in Engineering.  
**Computer science:** 5% of all Bachelor's Degrees awarded in Computer and Information Sciences.

## SLIPPERY ROCK UNIVERSITY OF PENNSYLVANIA

1 MORROW WAY, SLIPPERY ROCK, PA 16057  
**PHONE:** 724-738-2015 • **E-MAIL:** ASKTHE ROCK@SRU.EDU  
**WEBSITE:** HTTP://WWW.SRU.EDU

### Student Body

**Enrollment:** 7,526. **Student Body:** Asian 1%, African American 5%, Caucasian 86%, Hispanic 2%, International 1%, Native American <1%.

### Admissions

**Average high school GPA:** 3.42. 12% in top 10% of high school class, 36% in top 25% of high school class, 76% in top 50% of high school class. 91% from public high schools. ACT middle 50% range 19–24. SAT Math middle 50% range 460–550. SAT Critical Reading middle 50% range 450–530. SAT Writing middle 50% range 430–520. Minimum paper TOEFL 500, minimum web-based TOEFL 61.

### Costs and Financial Aid

**Annual in-state tuition:** \$6,820. **Annual out-of-state tuition:** \$10,230. **Room & board:** \$9,794. **Required fees:** \$2,489. **Average book expense:** \$1,517. 61% first-year, 61% undergrads receive need-based scholarship or grant aid. 61% first-year, 90% undergrads receive need-based self-help aid. 93% first-year, 86% undergrads receive any aid. 57% of first-year need met, 60% of undergrad need met. 86% undergrads borrow to pay for school. **Average cumulative indebtedness:** \$25,379.  
**Number of students in Engineering program:** 70  
**Computer science:** 3% of all Bachelor's Degrees awarded in Computer and Information Sciences.

## SMITH COLLEGE

7 COLLEGE LANE, NORTHAMPTON, MA 01063  
**PHONE:** 413-585-2500 • **E-MAIL:** ADMISSION@SMITH.EDU  
**WEBSITE:** WWW.SMITH.EDU

### Student Body

**Enrollment:** 2,563. **Student Body:** Asian 13%, African American 5%, Caucasian 46%, Hispanic 9%, International 14%, Native American <1%.

### Admissions

**Average high school GPA:** 3.90. 62% in top 10% of high school class, 91% in top 25% of high school class, 100% in top 50% of high school class. 62% from public high schools. ACT middle 50% range 28–31. SAT Math middle 50% range 620–740. SAT Critical Reading middle 50% range 620–730. SAT Writing middle 50% range 630–720. Minimum paper TOEFL 600, minimum web-based TOEFL 90.

### Costs and Financial Aid

**Annual tuition:** \$42,840. **Room & board:** \$14,410. **Required fees:** \$274. **Average book expense:** \$800. 94% first-year, 94% undergrads receive need-based scholarship or grant aid. 95% first-year, 95% undergrads receive need-based self-help aid. 70% first-year, 71% undergrads receive any aid. 100% of first-year need met, 100% of undergrad need met. 65% undergrads borrow to pay for school. **Average cumulative indebtedness:** \$20,195.  
**Number of students in Engineering program:** 41  
**Engineering majors:** engineering  
4.1% of all Bachelor's Degrees awarded in Engineering.

## SOUTHEASTERN LOUISIANA UNIVERSITY

SLU 10752, HAMMOND, LA 70402 **PHONE:** 985-549-2066 • **E-MAIL:** ADMISSIONS@SELU.EDU  
**WEBSITE:** WWW.SELU.EDU

### Student Body

**Enrollment:** 11,191. **Student Body:** Asian 1%, African American 16%, Caucasian 67%, Hispanic 7%, International 2%, Native American <1%.

### Admissions

**Average high school GPA:** 3.17. 11% in top 10% of high school class, 31% in top 25% of high school class, 66% in top 50% of high school class. ACT middle 50% range 20–24. Minimum paper TOEFL 500, minimum web-based TOEFL 61.

### Costs and Financial Aid

**Annual in-state tuition:** \$4,798. **Annual out-of-state tuition:** \$17,362. **Room & board:** \$7,100. **Required fees:** \$1,749. **Average book expense:**



\$1,200. 64% first-year, 64% undergrads receive need-based scholarship or grant aid. 67% first-year, 59% undergrads receive need-based self-help aid. 57% undergrads borrow to pay for school. **Average cumulative indebtedness:** \$18,637.

**Computer science:** 2% of all Bachelor's Degrees awarded in Computer and Information Sciences.

## SOUTHEAST MISSOURI STATE UNIVERSITY

ONE UNIVERSITY PLAZA, CAPE GIRARDEAU, MO 63701

PHONE: 573-651-2590 • E-MAIL: ADMISSIONS@SEMO.EDU

WEBSITE: WWW.SEMO.EDU

### Student Body

**Enrollment:** 9,382. **Student Body:** Asian 1%, African American 10%, Caucasian 78%, Hispanic 2%, International 7%, Native American 1%.

### Admissions

**Average high school GPA:** 3.36. 15% in top 10% of high school class, 41% in top 25% of high school class, 74% in top 50% of high school class. ACT middle 50% range 20–25. SAT Math middle 50% range 438–620. SAT Critical Reading middle 50% range 458–593. Minimum paper TOEFL 500, minimum web-based TOEFL 61.

### Costs and Financial Aid

**Annual in-state tuition:** \$5,927. **Annual out-of-state tuition:** \$11,259. **Room & board:** \$8,432. **Required fees:** \$1,011. **Average book expense:** \$494. 94% first-year, 94% undergrads receive need-based scholarship or grant aid. 87% first-year, 73% undergrads receive need-based self-help aid. 84% first-year, 81% undergrads receive any aid. 59% of first-year need met, 56% of undergrad need met. 65% undergrads borrow to pay for school. **Average cumulative indebtedness:** \$25,145. **Number of students in Engineering program:** 64. **Engineering majors:** physics. 0.3% of all Bachelor's Degrees awarded in Engineering. **Computer science:** 2% of all Bachelor's Degrees awarded in Computer and Information Sciences.

## SOUTHERN ADVENTIST UNIVERSITY

P.O. BOX 370, COLLEGE DALE, TN 37315

PHONE: 423-236-2835 • E-MAIL: ADMISSIONS@SOUTHERN.EDU

### Student Body

**Enrollment:** 2,584. **Student Body:** Asian 6%, African American 12%, Caucasian 58%, Hispanic 19%, International 5%, Native American <1%.

### Admissions

**Average high school GPA:** 3.40. 18% from public high schools. ACT middle 50% range 19–25. SAT Math middle 50% range 430–560. SAT Critical Reading middle 50% range 460–580. Minimum paper TOEFL 550.

### Costs and Financial Aid

**Annual tuition:** \$17,534. **Room & board:** \$5,786. **Required fees:** \$790. **Average book expense:** \$1,100. 99% first-year, 99% undergrads receive need-based scholarship or grant aid. 98% first-year, 85% undergrads receive need-based self-help aid. 95% undergrads receive any aid. 86% of first-year need met, 85% of undergrad need met. 65% undergrads borrow to pay for school. **Average cumulative indebtedness:** \$23,078. **Engineering majors:** engineering. **Computer science:** 3% of all Bachelor's Degrees awarded in Computer and Information Sciences.

## SOUTHERN CONNECTICUT STATE UNIVERSITY

SCSU-ADMISSIONS HOUSE, NEW HAVEN, CT 06515-1202

PHONE: 203-392-5644

WEBSITE: WWW.SOUTHERNCT.EDU

### Student Body

**Enrollment:** 8,525. **Student Body:** Asian 3%, African American 16%, Caucasian 62%, Hispanic 10%, International 0%, Native American <1%.

### Admissions

5% in top 10% of high school class, 21% in top 25% of high school class, 60% in top 50% of high school class. 88% from public high schools. ACT middle 50% range 17–22. SAT Math middle 50% range 410–530. SAT Critical Reading middle 50% range 420–520. SAT Writing middle 50% range 420–530. Minimum paper TOEFL 525.

### Costs and Financial Aid

**Annual in-state tuition:** \$4,285. **Annual out-of-state tuition:** \$15,137. **Room & board:** \$10,687. **Required fees:** \$4,256. **Average book expense:** \$1,400. 75% first-year, 75% undergrads receive need-based scholarship or grant aid. 76% first-year, 83% undergrads receive need-based self-help aid. 81% of first-year need met, 78% of undergrad need met. **Computer science:** 3% of all Bachelor's Degrees awarded in Computer and Information Sciences.

## SOUTHERN ILLINOIS UNIVERSITY— CARBONDALE

UNDERGRADUATE ADMISSIONS, MAILCODE 4710, CARBONDALE, IL 62901

PHONE: 618-536-4405 • E-MAIL: ADMISSIONS@SIU.EDU

WEBSITE: WWW.SIU.EDU

### Student Body

**Enrollment:** 13,171. **Student Body:** Asian 2%, African American 20%, Caucasian 63%, Hispanic 8%, International 3%, Native American <1%.

### Admissions

**Average high school GPA:** 2.91. 14% in top 10% of high school class, 34% in top 25% of high school class, 64% in top 50% of high school class. ACT middle 50% range 19–26. SAT Math middle 50% range 490–640. SAT Critical Reading middle 50% range 475–630. Minimum paper TOEFL 520, minimum web-based TOEFL 68.

### Costs and Financial Aid

70% first-year, 70% undergrads receive need-based scholarship or grant aid. 100% first-year, 83% undergrads receive need-based self-help aid. 82% first-year, 88% undergrads receive any aid. 64% of first-year need met, 60% of undergrad need met. 70% undergrads borrow to pay for school. **Average cumulative indebtedness:** \$27,568. **Number of students in Engineering program:** 819. **Engineering majors:** engineering; bioengineering and biomedical; civil; computer; electrical; mechanical; mining and mineral. 4.6% of all Bachelor's Degrees awarded in Engineering. **Computer science:** 2% of all Bachelor's Degrees awarded in Computer and Information Sciences.

## SOUTHERN ILLINOIS UNIVERSITY— EDWARDSVILLE

PO BOX 1600, EDWARDSVILLE, IL 62026-1080

PHONE: 618-650-3705 • E-MAIL: ADMISSIONS@SIUE.EDU

WEBSITE: WWW.SIUE.EDU

### Student Body

**Enrollment:** 11,371. **Student Body:** Asian 2%, African American 15%, Caucasian 74%, Hispanic 4%, International 1%, Native American <1%.

### Admissions

19% in top 10% of high school class, 45% in top 25% of high school class, 78% in top 50% of high school class. ACT middle 50% range 20–26. SAT Math middle 50% range 480–570. SAT Critical Reading middle 50% range 440–600. SAT Writing middle 50% range 425–560. Minimum paper TOEFL 550, minimum web-based TOEFL 79.

### Costs and Financial Aid

**Annual in-state tuition:** \$7,296. **Annual out-of-state tuition:** \$18,240. **Room & board:** \$8,531. **Required fees:** \$2,370. **Average book expense:** \$777. 84% first-year, 84% undergrads receive need-based scholarship or grant aid. 73% first-year, 81% undergrads receive need-based self-help aid. 75% first-year, 67% undergrads receive any aid. 68% of first-year need met, 62% of undergrad need met. **Average cumulative indebtedness:** \$30,209. **Engineering majors:** civil; computer; electrical; mechanical; industrial; manufacturing. 7.7% of all Bachelor's Degrees awarded in Engineering.

**Computer science:** 2% of all Bachelor's Degrees awarded in Computer and Information Sciences.

## SOUTHERN METHODIST UNIVERSITY

PO Box 750181, DALLAS, TX 75275-0181

PHONE: 214-768-2058 • E-MAIL: UGADMISSION@SMU.EDU

WEBSITE: WWW.SMU.EDU

### Student Body

**Enrollment:** 6,340. **Student Body:** Asian 7%, African American 5%, Caucasian 66%, Hispanic 12%, International 7%, Native American <1%.

### Admissions

**Average high school GPA:** 3.67. 46% in top 10% of high school class, 79% in top 25% of high school class, 95% in top 50% of high school class. 52% from public high schools. ACT middle 50% range 28–31. SAT Math middle 50% range 620–710. SAT Critical Reading middle 50% range 600–690. SAT Writing middle 50% range 600–695. Minimum paper TOEFL 550, minimum web-based TOEFL 80.

### Costs and Financial Aid

**Average book expense:** \$1,000. 69% first-year, 69% undergrads receive need-based scholarship or grant aid. 75% first-year, 80% undergrads receive need-based self-help aid. 75% first-year, 73% undergrads receive any aid. 88% of first-year need met, 86% of undergrad need met. 42% undergrads borrow to pay for school. **Average cumulative indebtedness:** \$22,742

**Number of students in Engineering program:** 1,071

**Engineering majors:** civil; computer; electrical; environmental; mechanical; operations research

9.4% of all Bachelor's Degrees awarded in Engineering.

**Computer science:** 1% of all Bachelor's Degrees awarded in Computer and Information Sciences.

## SOUTHERN POLYTECHNIC STATE UNIVERSITY

1100 SOUTH MARIETTA PARKWAY, MARIETTA, GA 30060-2896

PHONE: 678-915-4188 • E-MAIL: ADMISS@SPSU.EDU

WEBSITE: HTTP://WWW.SPSU.EDU/INDEX.HTM

### Student Body

**Enrollment:** 5,324. **Student Body:** Asian 6%, African American 22%, Caucasian 55%, Hispanic 8%, International 4%, Native American <1%.

### Admissions

**Average high school GPA:** 3.28. 12% in top 10% of high school class, 42% in top 25% of high school class, 79% in top 50% of high school class. ACT middle 50% range 21–26. SAT Math middle 50% range 540–635. SAT Critical Reading middle 50% range 500–600. SAT Writing middle 50% range 470–570. Minimum paper TOEFL 550, minimum web-based TOEFL 79.

### Costs and Financial Aid

**Annual in-state tuition:** \$5,256. **Annual out-of-state tuition:** \$18,704.

**Room & board:** \$7,280. **Required fees:** \$1,422. **Average book expense:** \$1,700. 45% first-year, 45% undergrads receive need-based scholarship or grant aid. 56% first-year, 68% undergrads receive need-based self-help aid. 93% first-year, 77% undergrads receive any aid. 71% of first-year need met, 61% of undergrad need met. 61% undergrads borrow to pay for school. **Average cumulative indebtedness:** \$6,927.

**Number of students in Engineering program:** 2,599

**Engineering majors:** civil; computer software; electrical; mechanical; systems; construction

8.5% of all Bachelor's Degrees awarded in Engineering.

**Computer science:** 14% of all Bachelor's Degrees awarded in Computer and Information Sciences.

## SOUTHERN UNIVERSITY AND A&M COLLEGE

3050 MARTIN LUTHER KING JR. DRIVE, SHREVEPORT, LA 71107

PHONE: 318-674-3342

### Student Body

**Enrollment:** 1,342. **Student Body:** Asian 0%, African American 91%, Caucasian 9%, Hispanic 0%, International 0%, Native American <1%.

## SOUTHERN UTAH UNIVERSITY

S. UTAH UNIVERSITY, 351 W UNIVERSITY BVD, CEDAR CITY, UT 84720

PHONE: 435-586-7740 • E-MAIL: ADMINFO@SUU.EDU

WEBSITE: WWW.SUU.EDU

### Student Body

**Enrollment:** 5,514. **Student Body:** Asian 1%, African American 2%, Caucasian 79%, Hispanic 5%, International 5%, Native American 1%.

### Admissions

**Average high school GPA:** 3.40. 18% in top 10% of high school class, 43% in top 25% of high school class, 72% in top 50% of high school class. ACT middle 50% range 20–26. SAT Math middle 50% range 450–570. SAT Critical Reading middle 50% range 460–570. SAT Writing middle 50% range 440–550. Minimum paper TOEFL 525, minimum web-based TOEFL 71.

### Costs and Financial Aid

**Annual in-state tuition:** \$5,416. **Annual out-of-state tuition:** \$17,874.

**Room & board:** \$6,890. **Required fees:** \$722. **Average book expense:** \$1,600. 98% first-year, 98% undergrads receive need-based scholarship or grant aid. 97% first-year, 59% undergrads receive need-based self-help aid. 46% of first-year need met, 45% of undergrad need met. 53% undergrads borrow to pay for school. **Average cumulative indebtedness:** \$14,425.

**Number of students in Engineering program:** 89

**Engineering majors:** pre-engineering; science

0.7% of all Bachelor's Degrees awarded in Engineering.

**Computer science:** 1% of all Bachelor's Degrees awarded in Computer and Information Sciences.

## SOUTH DAKOTA SCHOOL OF MINES AND TECHNOLOGY

501 EAST ST. JOSEPH STREET, RAPID CITY, SD 57701-3995

PHONE: 605-394-2414 • E-MAIL: ADMISSIONS@SDSMT.EDU

WEBSITE: WWW.SDSMT.EDU

### Student Body

**Enrollment:** 2,335. **Student Body:** Asian 2%, African American 2%, Caucasian 84%, Hispanic 4%, International 2%, Native American 2%.

### Admissions

**Average high school GPA:** 3.51. 20% in top 10% of high school class, 29% in top 25% of high school class, 82% in top 50% of high school class. ACT middle 50% range 24–28. SAT Math middle 50% range 560–658. SAT Critical Reading middle 50% range 510–650. SAT Writing middle 50% range 480–610. Minimum paper TOEFL 520, minimum web-based TOEFL 68.

### Costs and Financial Aid

**Annual in-state tuition:** \$4,170. **Annual out-of-state tuition:** \$7,000. **Room & board:** \$6,370. **Required fees:** \$5,870. **Average book expense:** \$1,800. 74% first-year, 74% undergrads receive need-based scholarship or grant aid. 66% first-year, 81% undergrads receive need-based self-help aid. 90% first-year, 79% undergrads receive any aid. 79% of first-year need met, 76% of undergrad need met. 72% undergrads borrow to pay for school. **Average cumulative indebtedness:** \$26,309.

**Number of students in Engineering program:** 1,997

**Engineering majors:** geological/geophysical; industrial; mining and mineral; metallurgical; mechanical; materials; environmental; electrical; computer; civil; chemical

80% of all Bachelor's Degrees awarded in Engineering.

**Computer science:** 4% of all Bachelor's Degrees awarded in Computer and Information Sciences.

## SOUTH DAKOTA STATE UNIVERSITY

SAD 200, BROOKINGS, SD 57007-0649

PHONE: 605-688-4121 • E-MAIL: SDSU.ADMISSIONS@SDSTATE.EDU

WEBSITE: WWW.SDSTATE.EDU

### Student Body

**Enrollment:** 10,067.

### Admissions

**Average high school GPA:** 3.32. 13% in top 10% of high school class, 35% in top 25% of high school class, 69% in top 50% of high school class. ACT middle 50% range 20–25. SAT Math middle 50% range 460–600. SAT Critical Reading

middle 50% range 440–590. Minimum paper TOEFL 550, minimum web-based TOEFL 61.

### Costs and Financial Aid

**Average book expense:** \$1,174. 57% first-year, 57% undergrads receive need-based scholarship or grant aid. 54% first-year, 87% undergrads receive need-based self-help aid. 55% first-year, 53% undergrads receive any aid. 55% of first-year need met, 53% of undergrad need met. 67% undergrads borrow to pay for school. **Average cumulative indebtedness:** \$23,150.

**Engineering majors:** engineering; pre-engineering; agricultural; civil; electrical; mechanical

6% of all Bachelor's Degrees awarded in Engineering.

**Computer science:** 1% of all Bachelor's Degrees awarded in Computer and Information Sciences.

## ST. AMBROSE UNIVERSITY

518 WEST LOCUST STREET, DAVENPORT, IA 52803-2898

PHONE: 563-333-6300 • E-MAIL: ADMIT@SAU.EDU

WEBSITE: WWW.SAU.EDU

### Student Body

**Enrollment:** 2,734. **Student Body:** Asian 1%, African American 3%, Caucasian 83%, Hispanic 6%, International 1%, Native American <1%.

### Admissions

**Average high school GPA:** 3.28. 21% in top 10% of high school class, 44% in top 25% of high school class, 74% in top 50% of high school class. 70% from public high schools. ACT middle 50% range 20–26. Minimum paper TOEFL 500.

### Costs and Financial Aid

**Annual tuition:** \$26,500. **Room & board:** \$9,016. **Required fees:** \$240.

**Average book expense:** \$1,200. 99% first-year, 99% undergrads receive need-based scholarship or grant aid. 97% first-year, 80% undergrads receive need-based self-help aid. 99% first-year, 88% undergrads receive any aid. 75% of first-year need met, 70% of undergrad need met. 80% undergrads borrow to pay for school. **Average cumulative indebtedness:** \$25,520.

**Number of students in Engineering program:** 62

**Engineering majors:** engineering; physics; industrial

2% of all Bachelor's Degrees awarded in Engineering.

**Computer science:** 2% of all Bachelor's Degrees awarded in Computer and Information Sciences.

## STANFORD UNIVERSITY

UNDERGRADUATE ADMISSION, STANFORD, CA 94305-6106

PHONE: 650-723-2091 • E-MAIL: ADMISSION@STANFORD.EDU

WEBSITE: WWW.STANFORD.EDU

### Student Body

**Enrollment:** 7,018. **Student Body:** Asian 20%, African American 6%, Caucasian 38%, Hispanic 16%, International 8%, Native American 1%.

### Admissions

**Average high school GPA:** 4.16. 95% in top 10% of high school class, 99% in top 25% of high school class, 100% in top 50% of high school class. 60% from public high schools. ACT middle 50% range 31–34. SAT Math middle 50% range 700–790. SAT Critical Reading middle 50% range 680–780. SAT Writing middle 50% range 690–790.

### Costs and Financial Aid

**Annual tuition:** \$44,184. **Room & board:** \$13,631. **Required fees:** \$573.

**Average book expense:** \$1,425. 99% first-year, 99% undergrads receive need-based scholarship or grant aid. 98% first-year, 77% undergrads receive need-based self-help aid. 82% undergrads receive any aid. 100% of first-year need met, 100% of undergrad need met. 23% undergrads borrow to pay for school. **Average cumulative indebtedness:** \$14,990.

**Engineering majors:** engineering; aerospace, aeronautical and astronautical; bioengineering and biomedical; chemical; civil; computer engineering; electrical; physics; environmental; materials; mechanical

15.9% of all Bachelor's Degrees awarded in Engineering.

**Computer science:** 12% of all Bachelor's Degrees awarded in Computer and Information Sciences.

## STATE UNIVERSITY OF NEW YORK— ALFRED STATE COLLEGE

HUNTINGTON ADMINISTRATION BLDG., ALFRED, NY 14802

PHONE: 607-587-4215 • E-MAIL: ADMISSIONS@ALFREDSTATE.EDU

WEBSITE: WWW.ALFREDSTATE.EDU

### Student Body

**Enrollment:** 3,607. **Student Body:** Asian 2%, African American 8%, Caucasian 78%, Hispanic 6%, International 0%, Native American <1%.

### Admissions

**Average high school GPA:** 85.11. ACT middle 50% range 19–25. SAT Math middle 50% range 430–560. SAT Critical Reading middle 50% range 410–530. Minimum paper TOEFL 500, minimum web-based TOEFL 61.

### Costs and Financial Aid

**Annual in-state tuition:** \$6,170. **Annual out-of-state tuition:** \$9,740. **Room & board:** \$11,910. **Required fees:** \$1,476. **Average book expense:** \$1,200. 84% first-year, 84% undergrads receive need-based scholarship or grant aid. 82% first-year, 84% undergrads receive need-based self-help aid. 82% first-year, 82% undergrads receive any aid. 54% of first-year need met, 56% of undergrad need met. 80% undergrads borrow to pay for school. **Average cumulative indebtedness:** \$25,495.

**Number of students in Engineering program:** 926

**Engineering majors:** engineering; electrical; mechanics; mechanical; surveying

**Computer science:** 12% of all Bachelor's Degrees awarded in Computer and Information Sciences.

## STATE UNIVERSITY OF NEW YORK— BINGHAMTON UNIVERSITY

PO BOX 6001, BINGHAMTON, NY 13902-6001

PHONE: 607-777-2171 • E-MAIL: ADMIT@BINGHAMTON.EDU

WEBSITE: WWW.BINGHAMTON.EDU

### Student Body

**Enrollment:** 13,372. **Student Body:** Asian 14%, African American 5%, Caucasian 55%, Hispanic 10%, International 10%, Native American <1%.

### Admissions

**Average high school GPA:** 3.60. 48% in top 10% of high school class, 83% in top 25% of high school class, 97% in top 50% of high school class. 88% from public high schools. ACT middle 50% range 27–30. SAT Math middle 50% range 620–700. SAT Critical Reading middle 50% range 590–670. SAT Writing middle 50% range 580–670. Minimum paper TOEFL 560, minimum web-based TOEFL 83.

### Costs and Financial Aid

**Annual in-state tuition:** \$6,170. **Annual out-of-state tuition:** \$17,810.

**Room & board:** \$13,028. **Required fees:** \$2,450. **Average book expense:** \$1,000. 81% first-year, 81% undergrads receive need-based scholarship or grant aid. 83% first-year, 97% undergrads receive need-based self-help aid. 81% first-year, 70% undergrads receive any aid. 63% of first-year need met, 72% of undergrad need met. 53% undergrads borrow to pay for school. **Average cumulative indebtedness:** \$21,539.

**Number of students in Engineering program:** 1,942

**Engineering majors:** engineering; bioengineering and biomedical; computer; electrical; mechanical; industrial

10% of all Bachelor's Degrees awarded in Engineering.

**Computer science:** 4% of all Bachelor's Degrees awarded in Computer and Information Sciences.

## STATE UNIVERSITY OF NEW YORK— COLLEGE OF ENVIRONMENTAL SCIENCE AND FORESTRY

OFFICE OF UNDERGRADUATE ADMISSIONS, SYRACUSE, NY 13210

PHONE: 315-470-6600 • E-MAIL: ESFINFO@ESF.EDU

WEBSITE: WWW.ESF.EDU

### Student Body

**Enrollment:** 1,718. **Student Body:** Asian 2%, African American 1%, Caucasian 69%, Hispanic 3%, International 1%, Native American <1%.

### Admissions

**Average high school GPA:** 3.65. 30% in top 10% of high school class, 66% in top 25% of high school class, 95% in top 50% of high school class. 90% from public high schools. ACT middle 50% range 22–26. SAT Math middle 50% range 550–630. SAT Critical Reading middle 50% range 530–630. Minimum paper TOEFL 550, minimum web-based TOEFL 79.

### Costs and Financial Aid

**Annual in-state tuition:** \$6,170. **Annual out-of-state tuition:** \$15,820. **Room & board:** \$15,120. **Required fees:** \$1,133. **Average book expense:** \$1,200. 91% first-year, 91% undergrads receive need-based scholarship or grant aid. 96% first-year, 91% undergrads receive need-based self-help aid. 91% first-year, 93% undergrads receive any aid. 85% of first-year need met, 88% of undergrad need met. 80% undergrads borrow to pay for school. **Average cumulative indebtedness:** \$14,866. **Number of students in Engineering program:** 180. **Engineering majors:** chemical; water resources; civil; environmental; construction; forest; paper science; biological/biosystems. 19% of all Bachelor's Degrees awarded in Engineering.

## STATE UNIVERSITY OF NEW YORK— MARITIME COLLEGE

6 PENNYFIELD AVE, THROGGS NECK, NY 10465  
**PHONE:** 718-409-7200 • **E-MAIL:** ADMISSIONS@SUNYMARITIME.EDU  
**WEBSITE:** WWW.SUNYMARITIME.EDU

### Student Body

**Enrollment:** 1,624. **Student Body:** Asian 4%, African American 4%, Caucasian 72%, Hispanic 10%, International 3%, Native American <1%.

### Admissions

**Average high school GPA:** 86.00. 8% in top 10% of high school class, 44% in top 25% of high school class, 81% in top 50% of high school class. ACT middle 50% range 22–26. SAT Math middle 50% range 530–610. SAT Critical Reading middle 50% range 490–580. SAT Writing middle 50% range 470–560. Minimum paper TOEFL 550, minimum web-based TOEFL 79.

### Costs and Financial Aid

**Annual in-state tuition:** \$6,170. **Annual out-of-state tuition:** \$15,820. **Room & board:** \$11,040. **Required fees:** \$1,276. **Average book expense:** \$1,464. 55% first-year, 55% undergrads receive need-based scholarship or grant aid. 65% first-year, 76% undergrads receive need-based self-help aid. 83% first-year, 78% undergrads receive any aid. **Number of students in Engineering program:** 819. **Engineering majors:** electrical; naval architecture and marine; industrial; mechanical. 42% of all Bachelor's Degrees awarded in Engineering.

## STATE UNIVERSITY OF NEW YORK AT NEW PALTZ

100 HAWK DRIVE, NEW PALTZ, NY 12561  
**PHONE:** 845-257-3200 • **E-MAIL:** ADMISSIONS@NEWPALTZ.EDU  
**WEBSITE:** WWW.NEWPALTZ.EDU

### Student Body

**Enrollment:** 6,464. **Student Body:** Asian 5%, African American 6%, Caucasian 65%, Hispanic 16%, International 2%, Native American <1%.

### Admissions

**Average high school GPA:** 3.60. 33% in top 10% of high school class, 80% in top 25% of high school class, 98% in top 50% of high school class. ACT middle 50% range 23–27. SAT Math middle 50% range 520–600. SAT Critical Reading middle 50% range 510–600. SAT Writing middle 50% range 500–603. Minimum paper TOEFL 550, minimum web-based TOEFL 80.

### Costs and Financial Aid

**Annual in-state tuition:** \$6,170. **Annual out-of-state tuition:** \$15,820. **Room & board:** \$10,895. **Required fees:** \$1,238. **Average book expense:** \$1,500. 58% first-year, 58% undergrads receive need-based scholarship or grant aid. 58% first-year, 88% undergrads receive need-based self-help aid. 63% undergrads borrow to pay for school. **Average cumulative indebtedness:** \$24,864. **Engineering majors:** computer; electrical. 1% of all Bachelor's Degrees awarded in Engineering.

**Computer science:** 1% of all Bachelor's Degrees awarded in Computer and Information Sciences.

## STATE UNIVERSITY OF NEW YORK— STONY BROOK UNIVERSITY

OFFICE OF ADMISSIONS, STONY BROOK, NY 11794-1901  
**PHONE:** 631-632-6868 • **E-MAIL:** ENROLL@STONYBROOK.EDU  
**WEBSITE:** WWW.STONYBROOK.EDU/

### Student Body

**Enrollment:** 16,170. **Student Body:** Asian 24%, African American 6%, Caucasian 38%, Hispanic 11%, International 11%, Native American <1%.

### Admissions

**Average high school GPA:** 3.78. 48% in top 10% of high school class, 82% in top 25% of high school class, 97% in top 50% of high school class. 90% from public high schools. ACT middle 50% range 26–30. SAT Math middle 50% range 610–710. SAT Critical Reading middle 50% range 540–640. SAT Writing middle 50% range 540–650. Minimum paper TOEFL 550, minimum web-based TOEFL 80.

### Costs and Financial Aid

**Average book expense:** \$900. 89% first-year, 89% undergrads receive need-based scholarship or grant aid. 83% first-year, 94% undergrads receive need-based self-help aid. 78% first-year, 69% undergrads receive any aid. 73% of first-year need met, 68% of undergrad need met. 58% undergrads borrow to pay for school. **Average cumulative indebtedness:** \$21,946. **Number of students in Engineering program:** 1,438. **Engineering majors:** engineering; bioengineering and biomedical; chemical; civil; computer; electrical; mechanical. 6.8% of all Bachelor's Degrees awarded in Engineering. **Computer science:** 4% of all Bachelor's Degrees awarded in Computer and Information Sciences.

## STATE UNIVERSITY OF NEW YORK— UNIVERSITY AT BUFFALO

12 CAPEN HALL, BUFFALO, NY 14260-1660  
**PHONE:** 716-645-6900 • **E-MAIL:** UB-ADMISSIONS@BUFFALO.EDU  
**WEBSITE:** WWW.BUFFALO.EDU

### Student Body

**Enrollment:** 19,485. **Student Body:** Asian 14%, African American 7%, Caucasian 49%, Hispanic 6%, International 16%, Native American <1%.

### Admissions

**Average high school GPA:** 3.20. 29% in top 10% of high school class, 63% in top 25% of high school class, 93% in top 50% of high school class. ACT middle 50% range 24–29. SAT Math middle 50% range 550–660. SAT Critical Reading middle 50% range 500–600. Minimum paper TOEFL 550, minimum web-based TOEFL 79.

### Costs and Financial Aid

**Annual in-state tuition:** \$6,170. **Annual out-of-state tuition:** \$19,590. **Room & board:** \$12,400. **Required fees:** \$2,701. **Average book expense:** \$1,164. 86% first-year, 86% undergrads receive need-based scholarship or grant aid. 67% first-year, 72% undergrads receive need-based self-help aid. 75% first-year, 66% undergrads receive any aid. 65% of first-year need met, 64% of undergrad need met. **Engineering majors:** engineering; aerospace, aeronautical and astronautical; space; bioengineering and biomedical; chemical; civil; structural; computer; electrical; physics; environmental; mechanical; industrial. 13.5% of all Bachelor's Degrees awarded in Engineering. **Computer science:** 2% of all Bachelor's Degrees awarded in Computer and Information Sciences.

## STEPHEN F. AUSTIN STATE UNIVERSITY

P. O. BOX 13051, NACOGDOCHES, TX 75962  
**PHONE:** 936-468-2504 • **E-MAIL:** ADMISSIONS@SFASU.EDU  
**WEBSITE:** WWW.SFASU.EDU

### Student Body

**Enrollment:** 9,568. **Student Body:** Asian 1%, African American 16%, Caucasian 74%, Hispanic 7%, International 1%, Native American 1%.

### Admissions

16% in top 10% of high school class, 44% in top 25% of high school class, 83% in top 50% of high school class. 90% from public high schools. ACT middle 50% range 18–23. SAT Math middle 50% range 450–550. SAT Critical Reading middle 50% range 450–560. Minimum paper TOEFL 550.

### Costs and Financial Aid

**Annual in-state tuition:** \$3,360. **Annual out-of-state tuition:** \$11,100. **Room & board:** \$5,012. **Required fees:** \$938. **Average book expense:** \$905. 76% first-year, 76% undergrads receive need-based scholarship or grant aid. 79% first-year, 81% undergrads receive need-based self-help aid. 46% first-year, 47% undergrads receive any aid. 65% of first-year need met, 67% of undergrad need met. 62% undergrads borrow to pay for school. **Computer science:** 1% of all Bachelor's Degrees awarded in Computer and Information Sciences.

## STEVENS INSTITUTE OF TECHNOLOGY

ONE CASTLE POINT TERRACE, HOBOKEN, NJ 07030

PHONE: 201-216-5194 • E-MAIL: ADMISSIONS@STEVENS.EDU

WEBSITE: HTTP://WWW.STEVENS.EDU/PRINCETONREVIEW

### Student Body

**Enrollment:** 2,369. **Student Body:** Asian 9%, African American 2%, Caucasian 42%, Hispanic 7%, International 4%, Native American <1%.

### Admissions

**Average high school GPA:** 3.83. 58% in top 10% of high school class, 88% in top 25% of high school class, 98% in top 50% of high school class. 72% from public high schools. ACT middle 50% range 25–30. SAT Math middle 50% range 620–700. SAT Critical Reading middle 50% range 560–640. SAT Writing middle 50% range 550–650. Minimum paper TOEFL 550, minimum web-based TOEFL 82.

### Costs and Financial Aid

**Average book expense:** \$950. 83% first-year, 83% undergrads receive need-based scholarship or grant aid. 67% first-year, 71% undergrads receive need-based self-help aid. 82% first-year, 75% undergrads receive any aid. 82% of first-year need met, 75% of undergrad need met. 66% undergrads borrow to pay for school. **Average cumulative indebtedness:** \$17,885. **Number of students in Engineering program:** 1,683 **Engineering majors:** systems; naval architecture and marine; mechanical; environmental; physics; electrical; computer; civil; chemical; bioengineering and biomedical; engineering. 62% of all Bachelor's Degrees awarded in Engineering. **Computer science:** 6% of all Bachelor's Degrees awarded in Computer and Information Sciences.

## ST. MARY'S UNIVERSITY

ONE CAMINO SANTA MARIA, SAN ANTONIO, TX 78228-8503

PHONE: 210.436.3126 • E-MAIL: UADM@STMARYTX.EDU

WEBSITE: HTTP://WWW.STMARYTX.EDU/

### Student Body

**Enrollment:** 2,391. **Student Body:** Asian 3%, African American 4%, Caucasian 14%, Hispanic 73%, International 3%, Native American <1%.

### Admissions

**Average high school GPA:** 3.40. 28% in top 10% of high school class, 57% in top 25% of high school class, 83% in top 50% of high school class. 68% from public high schools. ACT middle 50% range 21–24. SAT Math middle 50% range 480–580. SAT Critical Reading middle 50% range 470–570. SAT Writing middle 50% range 450–545. Minimum paper TOEFL 550, minimum web-based TOEFL 80.

### Costs and Financial Aid

**Annual tuition:** \$24,520. **Room & board:** \$8,666. **Required fees:** \$606. **Average book expense:** \$1,300. 98% first-year, 98% undergrads receive need-based scholarship or grant aid. 97% first-year, 92% undergrads receive need-based self-help aid. 96% first-year, 91% undergrads receive any aid. 78% of first-year need met, 75% of undergrad need met. 81% undergrads borrow to pay for school. **Average cumulative indebtedness:** \$15,891. **Number of students in Engineering program:** 207 **Engineering majors:** computer; electrical; science; mechanical; industrial. 3.3% of all Bachelor's Degrees awarded in Engineering. **Computer science:** 2% of all Bachelor's Degrees awarded in Computer and Information Sciences.

## SUFFOLK UNIVERSITY

8 ASHBURTON PLACE, BOSTON, MA 02108

PHONE: 617-573-8480 • E-MAIL: ADMISSION@SUFFOLK.EDU

WEBSITE: WWW.SUFFOLK.EDU

### Student Body

**Enrollment:** 5,361. **Student Body:** Asian 8%, African American 6%, Caucasian 39%, Hispanic 12%, International 22%, Native American <1%.

### Admissions

**Average high school GPA:** 3.12. 16% in top 10% of high school class, 41% in top 25% of high school class, 76% in top 50% of high school class. 60% from public high schools. ACT middle 50% range 20–25. SAT Math middle 50% range 450–560. SAT Critical Reading middle 50% range 440–570. SAT Writing middle 50% range 440–570. Minimum paper TOEFL 550, minimum web-based TOEFL 77.

### Costs and Financial Aid

82% first-year, 82% undergrads receive need-based scholarship or grant aid. 89% first-year, 95% undergrads receive need-based self-help aid. 94% first-year, 73% undergrads receive any aid. 62% of first-year need met, 53% of undergrad need met. 75% undergrads borrow to pay for school. **Average cumulative indebtedness:** \$22,215. **Number of students in Engineering program:** 86 **Computer science:** 2% of all Bachelor's Degrees awarded in Computer and Information Sciences.

## SWARTHMORE COLLEGE

500 COLLEGE AVENUE, SWARTHMORE, PA 19081

PHONE: 610-328-8300 • E-MAIL: ADMISSIONS@SWARTHMORE.EDU

WEBSITE: WWW.SWARTHMORE.EDU

### Student Body

**Enrollment:** 1,524. **Student Body:** Asian 15%, African American 6%, Caucasian 43%, Hispanic 14%, International 9%, Native American <1%.

### Admissions

89% in top 10% of high school class, 99% in top 25% of high school class, 100% in top 50% of high school class. 57% from public high schools. ACT middle 50% range 31–34. SAT Math middle 50% range 670–770. SAT Critical Reading middle 50% range 680–760. SAT Writing middle 50% range 680–770.

### Costs and Financial Aid

**Annual tuition:** \$45,700. **Room & board:** \$13,550. **Required fees:** \$360. **Average book expense:** \$1,230. 100% first-year, 100% undergrads receive need-based scholarship or grant aid. 100% first-year, 98% undergrads receive need-based self-help aid. 52% first-year, 50% undergrads receive any aid. 100% of first-year need met, 100% of undergrad need met. 36% undergrads borrow to pay for school. **Average cumulative indebtedness:** \$17,323. **Number of students in Engineering program:** 44 **Engineering majors:** engineering. 4.4% of all Bachelor's Degrees awarded in Engineering. **Computer science:** 4% of all Bachelor's Degrees awarded in Computer and Information Sciences.

## SWEET BRIAR COLLEGE

P. O. Box 1052, SWEET BRIAR, VA 24595

PHONE: 434-381-6142 • E-MAIL: ADMISSIONS@SBC.EDU

WEBSITE: WWW.SBC.EDU

### Student Body

**Enrollment:** 561. **Student Body:** Asian 2%, African American 11%, Caucasian 71%, Hispanic 7%, International 2%, Native American 2%.

### Admissions

**Average high school GPA:** 3.45. 24% in top 10% of high school class, 46% in top 25% of high school class, 70% in top 50% of high school class. 77% from public high schools. ACT middle 50% range 21–28. SAT Math middle 50% range 440–560. SAT Critical Reading middle 50% range 455–600. SAT Writing middle 50% range 440–595. Minimum paper TOEFL 550, minimum web-based TOEFL 79.

### Costs and Financial Aid

**Annual tuition:** \$34,460. **Room & board:** \$12,160. **Required fees:** \$475. **Average book expense:** \$1,250. 99% first-year, 99% undergrads receive

need-based scholarship or grant aid. 98% first-year, 74% undergrads receive need-based self-help aid. 100% first-year, 99% undergrads receive any aid. 80% of first-year need met, 78% of undergrad need met. 71% undergrads borrow to pay for school. **Average cumulative indebtedness:** \$25,578.

**Engineering majors:** science  
4.3% of all Bachelor's Degrees awarded in Engineering.

## SYRACUSE UNIVERSITY

100 CROUSE-HINDS HALL, SYRACUSE, NY 13244-2130

PHONE: 315-443-3611 • E-MAIL: ORANGE@SYR.EDU

WEBSITE: WWW.SYR.EDU

### Student Body

**Enrollment:** 14,768. **Student Body:** Asian 8%, African American 9%, Caucasian 55%, Hispanic 11%, International 11%, Native American 1%.

### Admissions

**Average high school GPA:** 3.60. 37% in top 10% of high school class, 71% in top 25% of high school class, 93% in top 50% of high school class. 67% from public high schools. ACT middle 50% range 24–29. SAT Math middle 50% range 550–660. SAT Critical Reading middle 50% range 520–620. SAT Writing middle 50% range 530–630. Minimum paper TOEFL 550, minimum web-based TOEFL 85.

### Costs and Financial Aid

**Annual tuition:** \$40,380. **Room & board:** \$14,460. **Required fees:** \$1,506. **Average book expense:** \$1,376. 92% first-year, 92% undergrads receive need-based scholarship or grant aid. 91% first-year, 92% undergrads receive need-based self-help aid. 73% first-year, 74% undergrads receive any aid. 96% of first-year need met, 90% of undergrad need met. 66% undergrads borrow to pay for school. **Average cumulative indebtedness:** \$27,477.

**Number of students in Engineering program:** 1,336

**Engineering majors:** aerospace, aeronautical and astronautical/space; bioengineering and biomedical; chemical; civil; computer; electrical; environmental; mechanical

8.7% of all Bachelor's Degrees awarded in Engineering.

**Computer science:** 5% of all Bachelor's Degrees awarded in Computer and Information Sciences.

## TARLETON STATE UNIVERSITY

PO BOX T-0030, STEPHENVILLE, TX 76402

PHONE: 254-968-9125 • E-MAIL: UADM@TARLETON.EDU

### Student Body

**Enrollment:** 8,856. **Student Body:** Asian 1%, African American 6%, Caucasian 76%, Hispanic 14%, International 1%, Native American 1%.

### Admissions

9% in top 10% of high school class, 23% in top 25% of high school class, 76% in top 50% of high school class. 97% from public high schools. ACT middle 50% range 19–23. SAT Math middle 50% range 450–550. SAT Critical Reading middle 50% range 430–530. SAT Writing middle 50% range 410–500. Minimum paper TOEFL 520, minimum web-based TOEFL 190.

### Costs and Financial Aid

**Annual in-state tuition:** \$3,696. **Annual out-of-state tuition:** \$12,120. **Room & board:** \$7,633. **Required fees:** \$1,826. **Average book expense:** \$1,174. 64% first-year, 64% undergrads receive need-based scholarship or grant aid. 64% first-year, 56% undergrads receive need-based self-help aid. 57% first-year, 37% undergrads receive any aid. 53% of first-year need met, 44% of undergrad need met. 56% undergrads borrow to pay for school. **Average cumulative indebtedness:** \$18,500.

**Number of students in Engineering program:** 166

**Engineering majors:** engineering; physics; environmental

1% of all Bachelor's Degrees awarded in Engineering.

**Computer science:** 2% of all Bachelor's Degrees awarded in Computer and Information Sciences.

## TAYLOR UNIVERSITY

236 WEST READE AVENUE, UPLAND, IN 46989-1001

PHONE: 765-998-5134 • E-MAIL: ADMISSIONS@TAYLORU.EDU

WEBSITE: WWW.TAYLOR.EDU

### Student Body

**Enrollment:** 1,856. **Student Body:** Asian 2%, African American 3%, Caucasian 86%, Hispanic 3%, International 5%, Native American <1%.

### Admissions

**Average high school GPA:** 3.65. 34% in top 10% of high school class, 66% in top 25% of high school class, 90% in top 50% of high school class. 80% from public high schools. ACT middle 50% range 24–30. SAT Math middle 50% range 500–630. SAT Critical Reading middle 50% range 490–630. SAT Writing middle 50% range 490–610. Minimum paper TOEFL 550.

### Costs and Financial Aid

**Annual tuition:** \$29,298. **Room & board:** \$8,283. **Required fees:** \$240.

**Average book expense:** \$3,000. 100% first-year, 100% undergrads receive need-based scholarship or grant aid. 99% first-year, 84% undergrads receive need-based self-help aid. 99% first-year, 96% undergrads receive any aid. 74% of first-year need met, 72% of undergrad need met. 63% undergrads borrow to pay for school. **Average cumulative indebtedness:** \$23,260.

**Number of students in Engineering program:** 53

**Engineering majors:** computer; physics; environmental; systems

2.6% of all Bachelor's Degrees awarded in Engineering.

**Computer science:** 2% of all Bachelor's Degrees awarded in Computer and Information Sciences.

## TEMPLE UNIVERSITY

1801 NORTH BROAD STREET (041-09), PHILADELPHIA, PA 19122-6096

PHONE: 215-204-7200 • E-MAIL: TUADM@TEMPLE.EDU

WEBSITE: WWW.TEMPLE.EDU

### Student Body

**Enrollment:** 27,748. **Student Body:** Asian 10%, African American 13%, Caucasian 58%, Hispanic 6%, International 5%, Native American <1%.

### Admissions

**Average high school GPA:** 3.47. 21% in top 10% of high school class, 51% in top 25% of high school class, 87% in top 50% of high school class. ACT middle 50% range 22–28. SAT Math middle 50% range 510–620. SAT Critical Reading middle 50% range 500–610. Minimum web-based TOEFL 79.

### Costs and Financial Aid

**Annual in-state tuition:** \$14,406. **Annual out-of-state tuition:** \$24,432.

**Room & board:** \$10,738. **Required fees:** \$690. **Average book expense:**

\$1,000. 85% first-year, 85% undergrads receive need-based scholarship or grant aid. 85% first-year, 85% undergrads receive need-based self-help aid. 83% undergrads receive any aid. 70% of first-year need met, 66% of undergrad need met. 77% undergrads borrow to pay for school. **Average cumulative indebtedness:** \$26,359.

**Number of students in Engineering program:** 1,418

**Engineering majors:** engineering; bioengineering and biomedical; civil; electrical; environmental; mechanical

2.8% of all Bachelor's Degrees awarded in Engineering.

**Computer science:** 3% of all Bachelor's Degrees awarded in Computer and Information Sciences.

## TENNESSEE STATE UNIVERSITY

3500 JOHN MERRITT BOULEVARD, NASHVILLE, TN 37209-1561

PHONE: 615-963-3101 • E-MAIL: JCADE@TNSTATE.EDU

WEBSITE: WWW.TNSTATE.EDU

### Student Body

**Enrollment:** 7,000. **Student Body:** Asian 1%, African American 83%, Caucasian 15%, Hispanic 1%, International 1%, Native American <1%.

### Admissions

**Average high school GPA:** 2.99. 90% from public high schools. ACT middle 50% range 18–21. SAT Math middle 50% range 430–510. SAT Critical Reading middle 50% range 430–510. Minimum paper TOEFL 500.

### Costs and Financial Aid

**Annual in-state tuition:** \$3,272. **Annual out-of-state tuition:** \$10,230.

**Room & board:** \$3,060. **Required fees:** \$150. **Average book expense:**

\$850. 66% first-year, 66% undergrads receive need-based scholarship or grant

aid. 64% first-year, 75% undergrads receive need-based self-help aid. 82% of first-year need met, 76% of undergrad need met.  
8% of all Bachelor's Degrees awarded in Engineering.  
**Computer science:** 11% of all Bachelor's Degrees awarded in Computer and Information Sciences.

## TENNESSEE TECHNOLOGICAL UNIVERSITY

PO Box 5006, COOKEVILLE, TN 38505

PHONE: 931-372-3888 • E-MAIL: ADMISSIONS@TNTECH.EDU

WEBSITE: WWW.TNTECH.EDU

### Student Body

**Enrollment:** 9,647. **Student Body:** Asian 1%, African American 4%, Caucasian 84%, Hispanic 2%, International 6%, Native American <1%.

### Admissions

**Average high school GPA:** 3.37. 24% in top 10% of high school class, 50% in top 25% of high school class, 82% in top 50% of high school class. 80% from public high schools. ACT middle 50% range 20–26. SAT Math middle 50% range 490–640. SAT Critical Reading middle 50% range 480–600. Minimum paper TOEFL 500.

### Costs and Financial Aid

**Annual in-state tuition:** \$5,004. **Annual out-of-state tuition:** \$18,000.  
**Room & board:** \$7,382. **Required fees:** \$1,034. **Average book expense:** \$1,500. 61% first-year, 61% undergrads receive need-based scholarship or grant aid. 63% first-year, 57% undergrads receive need-based self-help aid. 91% first-year, 89% undergrads receive any aid. 81% of first-year need met, 67% of undergrad need met. 44% undergrads borrow to pay for school. **Average cumulative indebtedness:** \$9,107.  
**Number of students in Engineering program:** 1,463  
**Engineering majors:** engineering; chemical; civil; computer; electrical; environmental; mechanical; industrial; manufacturing; mechanical  
12% of all Bachelor's Degrees awarded in Engineering.  
**Computer science:** 3% of all Bachelor's Degrees awarded in Computer and Information Sciences.

## TEXAS A&M UNIVERSITY AT GALVESTON

ADMISSIONS OFFICE, GALVESTON, TX 77553

PHONE: 409-740-4414 • E-MAIL: SEAAGGIE@TAMUG.EDU

WEBSITE: WWW.TAMUG.EDU

### Student Body

**Enrollment:** 2,045. **Student Body:** Asian 2%, African American 2%, Caucasian 77%, Hispanic 15%, International 0%, Native American <1%.

### Admissions

9% in top 10% of high school class, 36% in top 25% of high school class, 78% in top 50% of high school class. 81% from public high schools. ACT middle 50% range 22–26. SAT Math middle 50% range 510–600. SAT Critical Reading middle 50% range 480–580. SAT Writing middle 50% range 470–560. Minimum paper TOEFL 550, minimum web-based TOEFL 80.

### Costs and Financial Aid

**Average book expense:** \$1,246. 75% first-year, 75% undergrads receive need-based scholarship or grant aid. 74% first-year, 76% undergrads receive need-based self-help aid. 45% first-year, 56% undergrads receive any aid. 62% of first-year need met, 62% of undergrad need met. 57% undergrads borrow to pay for school. **Average cumulative indebtedness:** \$25,739.  
**Number of students in Engineering program:** 421  
**Engineering majors:** naval architecture and marine; ocean; naval architecture and marine  
15% of all Bachelor's Degrees awarded in Engineering.

## TEXAS A&M UNIVERSITY, COLLEGE STATION

P.O. Box 30014, COLLEGE STATION, TX 77843-3014

PHONE: 979-845-1060 • E-MAIL: ADMISSIONS@TAMU.EDU

WEBSITE: WWW.TAMU.EDU

### Student Body

**Enrollment:** 46,941. **Student Body:** Asian 5%, African American 3%, Caucasian 66%, Hispanic 21%, International 1%, Native American <1%.

### Admissions

65% in top 10% of high school class, 90% in top 25% of high school class, 99% in top 50% of high school class. ACT middle 50% range 23–30. SAT Math middle 50% range 550–670. SAT Critical Reading middle 50% range 510–640. SAT Writing middle 50% range 480–610. Minimum paper TOEFL 550, minimum web-based TOEFL 80.

### Costs and Financial Aid

**Annual in-state tuition:** \$5,971. **Annual out-of-state tuition:** \$23,147.  
**Room & board:** \$9,522. **Required fees:** \$3,209. **Average book expense:** \$1,000.  
93% first-year, 93% undergrads receive need-based scholarship or grant aid. 85% first-year, 58% undergrads receive need-based self-help aid. 75% first-year, 71% undergrads receive any aid. 70% of first-year need met, 68% of undergrad need met. 52% undergrads borrow to pay for school. **Average cumulative indebtedness:** \$20,086  
**Number of students in Engineering program:** 9,605  
**Engineering majors:** aerospace, aeronautical and astronautical/space; agricultural; bioengineering and biomedical; chemical; civil; computer; electrical; mechanical; naval architecture and marine; nuclear; ocean; petroleum; industrial  
15% of all Bachelor's Degrees awarded in Engineering.  
**Computer science:** 2% of all Bachelor's Degrees awarded in Computer and Information Sciences.

## TEXAS A&M UNIVERSITY—COMMERCE

P.O. Box 3011, COMMERCE, TX 75429

PHONE: 903-886-5106 • E-MAIL: ADMISSIONS@TAMU-COMMERCE.EDU

### Admissions

**Average high school GPA:** 3.35. 13% in top 10% of high school class, 26% in top 25% of high school class, 33% in top 50% of high school class. 98% from public high schools. ACT middle 50% range 17–23. SAT Math middle 50% range 460–560. SAT Critical Reading middle 50% range 440–540. Minimum paper TOEFL 500.

### Costs and Financial Aid

**Average book expense:** \$1,010. 98% first-year, 98% undergrads receive need-based scholarship or grant aid. 95% first-year, 83% undergrads receive need-based self-help aid. 66% of first-year need met, 69% of undergrad need met. 63% undergrads borrow to pay for school. **Average cumulative indebtedness:** \$20,585.  
**Engineering majors:** engineering  
**Computer science:** 1% of all Bachelor's Degrees awarded in Computer and Information Sciences.

## TEXAS A&M UNIVERSITY—KINGSVILLE

MSC 105, KINGSVILLE, TX 78363

PHONE: 361-593-2315 • E-MAIL: KSOSSRX@TAMUK.EDU

WEBSITE: WWW.TAMUK.EDU

### Student Body

**Enrollment:** 5,087. **Student Body:** Asian 1%, African American 4%, Caucasian 23%, Hispanic 57%, International 1%, Native American <1%.

### Costs and Financial Aid

**Annual in-state tuition:** \$1,350. **Annual out-of-state tuition:** \$7,590. **Room & board:** \$3,966. **Required fees:** \$1,602. **Average book expense:** \$614. 92% first-year, 92% undergrads receive need-based scholarship or grant aid. 100% first-year, 82% undergrads receive need-based self-help aid. 82% of first-year need met, 89% of undergrad need met. 46% undergrads borrow to pay for school.  
17% of all Bachelor's Degrees awarded in Engineering.

## TEXAS CHRISTIAN UNIVERSITY

OFFICE OF ADMISSIONS, FORT WORTH, TX 76129

PHONE: 817-257-7490 • E-MAIL: FROGMAIL@TCU.EDU

WEBSITE: WWW.TCU.EDU

### Student Body

**Enrollment:** 8,600. **Student Body:** Asian 3%, African American 5%, Caucasian 74%, Hispanic 11%, International 5%, Native American 1%.

### Admissions

42% in top 10% of high school class, 73% in top 25% of high school class, 96% in top 50% of high school class. 61% from public high schools. ACT middle 50% range 24–30. SAT Math middle 50% range 550–650. SAT Critical Reading middle 50% range 530–630. SAT Writing middle 50% range 540–650. Minimum paper TOEFL 550, minimum web-based TOEFL 80.

### Costs and Financial Aid

**Annual tuition:** \$36,500. **Room & board:** \$10,980. **Required fees:** \$90. **Average book expense:** \$1,050. 92% first-year, 92% undergrads receive need-based scholarship or grant aid. 92% first-year, 74% undergrads receive need-based self-help aid. 77% first-year, 74% undergrads receive any aid. 66% of first-year need met, 63% of undergrad need met. 43% undergrads borrow to pay for school. **Average cumulative indebtedness:** \$21,769. **Number of students in Engineering program:** 235 **Engineering majors:** engineering  
1.9% of all Bachelor's Degrees awarded in Engineering.  
**Computer science:** 2% of all Bachelor's Degrees awarded in Computer and Information Sciences.

## TEXAS STATE UNIVERSITY

429 NORTH GUADALUPE ST., SAN MARCOS, TX 78666  
**PHONE:** 512-245-2364 • **E-MAIL:** ADMISSIONS@TXSTATE.EDU  
**WEBSITE:** WWW.TXSTATE.EDU

### Student Body

**Enrollment:** 32,177. **Student Body:** Asian 2%, African American 8%, Caucasian 51%, Hispanic 33%, International 0%, Native American <1%.

### Admissions

11% in top 10% of high school class, 43% in top 25% of high school class, 88% in top 50% of high school class. 98% from public high schools. ACT middle 50% range 20–25. SAT Math middle 50% range 470–570. SAT Critical Reading middle 50% range 460–560. SAT Writing middle 50% range 440–530. Minimum paper TOEFL 550, minimum web-based TOEFL 78.

### Costs and Financial Aid

**Annual in-state tuition:** \$7,160. **Annual out-of-state tuition:** \$18,020. **Room & board:** \$7,612. **Required fees:** \$2,356. **Average book expense:** \$810. 79% first-year, 79% undergrads receive need-based scholarship or grant aid. 81% first-year, 77% undergrads receive need-based self-help aid. 85% first-year, 73% undergrads receive any aid. 82% of first-year need met, 79% of undergrad need met. 64% undergrads borrow to pay for school. **Average cumulative indebtedness:** \$24,447. **Number of students in Engineering program:** 814 **Engineering majors:** electrical; industrial; manufacturing  
0.1% of all Bachelor's Degrees awarded in Engineering.  
**Computer science:** 2% of all Bachelor's Degrees awarded in Computer and Information Sciences.

## TEXAS TECH UNIVERSITY

Box 45005, LUBBOCK, TX 79409-5005  
**PHONE:** 806-742-1480 • **E-MAIL:** ADMISSIONS@TTU.EDU  
**WEBSITE:** WWW.TTU.EDU

### Student Body

**Enrollment:** 28,278. **Student Body:** Asian 3%, African American 6%, Caucasian 61%, Hispanic 22%, International 4%, Native American <1%.

### Admissions

20% in top 10% of high school class, 54% in top 25% of high school class, 85% in top 50% of high school class. ACT middle 50% range 22–27. SAT Math middle 50% range 510–610. SAT Critical Reading middle 50% range 490–590. SAT Writing middle 50% range 470–560. Minimum paper TOEFL 550, minimum web-based TOEFL 79.

### Costs and Financial Aid

**Annual in-state tuition:** \$6,388. **Annual out-of-state tuition:** \$17,248. **Room & board:** \$8,405. **Required fees:** \$2,920. **Average book expense:** \$1,200. 50% first-year, 63% undergrads receive any aid. **Number of students in Engineering program:** 4,625 **Engineering majors:** chemical; civil; computer; electrical; environmental; mechanical; petroleum; construction; industrial  
11.4% of all Bachelor's Degrees awarded in Engineering.

**Computer science:** 2% of all Bachelor's Degrees awarded in Computer and Information Sciences.

## THOMAS EDISON STATE COLLEGE

101 WEST STATE STREET, TRENTON, NJ 08608-1176  
**PHONE:** 888-442-8372 • **E-MAIL:** ADMISSIONS@TESC.EDU  
**WEBSITE:** WWW.TESC.EDU

### Student Body

**Enrollment:** 19,404. **Student Body:** Asian 4%, African American 16%, Caucasian 60%, Hispanic 8%, International 1%, Native American 1%.

### Admissions

Minimum paper TOEFL 550, minimum web-based TOEFL 79.

### Costs and Financial Aid

17% undergrads receive any aid. **Computer science:** 1% of all Bachelor's Degrees awarded in Computer and Information Sciences.

## TRINE UNIVERSITY

1 UNIVERSITY AVENUE, ANGOLA, IN 46703  
**PHONE:** 260-665-4100 • **E-MAIL:** ADMIT@TRINE.EDU  
**WEBSITE:** WWW.TRINE.EDU

### Student Body

**Enrollment:** 1,653. **Student Body:** Asian 0%, African American 2%, Caucasian 78%, Hispanic 4%, International 8%, Native American <1%.

### Admissions

**Average high school GPA:** 3.47. 31% in top 10% of high school class, 57% in top 25% of high school class, 84% in top 50% of high school class. 85% from public high schools. ACT middle 50% range 21–27. SAT Math middle 50% range 490–600. SAT Critical Reading middle 50% range 455–560. Minimum paper TOEFL 550, minimum web-based TOEFL 80.

### Costs and Financial Aid

**Annual tuition:** \$29,300. **Room & board:** \$9,800. **Required fees:** \$300. **Average book expense:** \$1,200. 81% first-year, 81% undergrads receive need-based scholarship or grant aid. 89% first-year, 100% undergrads receive need-based self-help aid. 99% first-year, 98% undergrads receive any aid. 80% of first-year need met, 79% of undergrad need met. 86% undergrads borrow to pay for school. **Average cumulative indebtedness:** \$22,349. **Engineering majors:** mechanical; electrical; computer; civil; chemical  
32.7% of all Bachelor's Degrees awarded in Engineering.  
**Computer science:** 4% of all Bachelor's Degrees awarded in Computer and Information Sciences.

## TRINITY COLLEGE (CT)

300 SUMMIT STREET, HARTFORD, CT 06016  
**PHONE:** 860-297-2180 • **E-MAIL:** ADMISSIONS.OFFICE@TRINCOLL.EDU  
**WEBSITE:** WWW.TRINCOLL.EDU

### Student Body

**Enrollment:** 2,308. **Student Body:** Asian 5%, African American 6%, Caucasian 65%, Hispanic 7%, International 8%, Native American <1%.

### Admissions

23% in top 10% of high school class, 59% in top 25% of high school class, 99% in top 50% of high school class. 40% from public high schools. ACT middle 50% range 25–29. SAT Math middle 50% range 580–670. SAT Critical Reading middle 50% range 570–660. SAT Writing middle 50% range 590–673.

### Costs and Financial Aid

**Annual tuition:** \$46,796. **Room & board:** \$12,700. **Required fees:** \$2,260. **Average book expense:** \$1,000. 96% first-year, 96% undergrads receive need-based scholarship or grant aid. 95% first-year, 76% undergrads receive need-based self-help aid. 40% first-year, 39% undergrads receive any aid. 100% of first-year need met, 100% of undergrad need met. 45% undergrads borrow to pay for school. **Average cumulative indebtedness:** \$19,317. **Number of students in Engineering program:** 54 **Engineering majors:** engineering  
2.1% of all Bachelor's Degrees awarded in Engineering.  
**Computer science:** 1% of all Bachelor's Degrees awarded in Computer and Information Sciences.



## TRINITY UNIVERSITY

ONE TRINITY PLACE, SAN ANTONIO, TX 78212-7200

PHONE: 210-999-7207 • E-MAIL: ADMISSIONS@TRINITY.EDU

WEBSITE: WWW.TRINITY.EDU

### Student Body

**Enrollment:** 2,279. **Student Body:** Asian 6%, African American 4%, Caucasian 57%, Hispanic 18%, International 7%, Native American <1%.

### Admissions

**Average high school GPA:** 3.48. 39% in top 10% of high school class, 71% in top 25% of high school class, 93% in top 50% of high school class. 63% from public high schools. ACT middle 50% range 27–31. SAT Math middle 50% range 590–680. SAT Critical Reading middle 50% range 580–680. SAT Writing middle 50% range 560–650.

### Costs and Financial Aid

100% first-year, 100% undergrads receive need-based scholarship or grant aid. 99% first-year, 79% undergrads receive need-based self-help aid.

97% first-year, 95% undergrads receive any aid. 99% of first-year need met, 93% of undergrad need met. 50% undergrads borrow to pay for school. **Average cumulative indebtedness:** \$23,559.

**Engineering majors:** engineering; science  
5.5% of all Bachelor's Degrees awarded in Engineering.

**Computer science:** 3% of all Bachelor's Degrees awarded in Computer and Information Sciences.

## TROY UNIVERSITY (FORMERLY TROY STATE UNIVERSITY)

111 ADAMS ADMINISTRATION, TROY, AL 36082

PHONE: 334-670-3179 • E-MAIL: ADMIT@TROY.EDU

WEBSITE: WWW.TROY.EDU

### Student Body

**Enrollment:** 15,026. **Student Body:** Asian 1%, African American 34%, Caucasian 51%, Hispanic 3%, International 3%, Native American 1%.

### Admissions

**Average high school GPA:** 3.34. 54% in top 25% of high school class, 85% in top 50% of high school class. ACT middle 50% range 19–26. Minimum paper TOEFL 500, minimum web-based TOEFL 80.

### Costs and Financial Aid

**Annual in-state tuition:** \$6,528. **Annual out-of-state tuition:** \$13,056.

**Room & board:** \$6,498. **Required fees:** \$1,036. **Average book expense:** \$1,105. 33% first-year, 33% undergrads receive need-based scholarship or grant aid. 66% first-year, 99% undergrads receive need-based self-help aid.

**Computer science:** 4% of all Bachelor's Degrees awarded in Computer and Information Sciences.

## TUFTS UNIVERSITY

BENDETSON HALL, MEDFORD, MA 02155

PHONE: 617-627-3170 • E-MAIL: ADMISSIONS.INQUIRY@ASE.TUFTS.EDU

WEBSITE: WWW.TUFTS.EDU

### Student Body

**Enrollment:** 5,146. **Student Body:** Asian 11%, African American 4%, Caucasian 56%, Hispanic 6%, International 8%, Native American <1%.

### Admissions

91% in top 10% of high school class, 99% in top 25% of high school class, 100% in top 50% of high school class. 56% from public high schools. ACT middle 50% range 30–33. SAT Math middle 50% range 690–770. SAT Critical Reading middle 50% range 680–750. SAT Writing middle 50% range 680–770. Minimum paper TOEFL 600, minimum web-based TOEFL 100.

### Costs and Financial Aid

**Annual tuition:** \$47,596. **Room & board:** \$12,634. **Required fees:** \$1,047.

**Average book expense:** \$800. 93% first-year, 93% undergrads receive need-based scholarship or grant aid. 93% first-year, 92% undergrads receive need-based self-help aid. 41% first-year, 40% undergrads receive any aid. 100% of first-year need met, 100% of undergrad need met. 41% undergrads borrow to pay for school. **Average cumulative indebtedness:** \$18,019.

**Number of students in Engineering program:** 179

**Engineering majors:** engineering; architectural; architectural; biomedical/medical; bioengineering and biomedical; chemical; civil; geotechnical and geoenvironmental; structural; water resources; computer; electrical; physics; science; environmental; mechanical

9% of all Bachelor's Degrees awarded in Engineering.

**Computer science:** 3% of all Bachelor's Degrees awarded in Computer and Information Sciences.

## TULANE UNIVERSITY

6823 ST. CHARLES AVENUE, NEW ORLEANS, LA 70118

PHONE: 504-865-5731 • E-MAIL: UNDERGRAD.ADMISSION@TULANE.EDU

WEBSITE: WWW.TULANE.EDU

### Student Body

**Enrollment:** 8,284. **Student Body:** Asian 3%, African American 9%, Caucasian 72%, Hispanic 6%, International 3%, Native American <1%.

### Admissions

**Average high school GPA:** 3.49. 56% in top 10% of high school class, 84% in top 25% of high school class, 97% in top 50% of high school class. ACT middle 50% range 29–32. SAT Math middle 50% range 620–700. SAT Critical Reading middle 50% range 610–710. SAT Writing middle 50% range 640–720. Minimum paper TOEFL 550.

### Costs and Financial Aid

**Average book expense:** \$1,200. 97% first-year, 97% undergrads receive need-based scholarship or grant aid. 96% first-year, 71% undergrads receive need-based self-help aid. 95% of first-year need met, 93% of undergrad need met. 45% undergrads borrow to pay for school. **Average cumulative indebtedness:** \$26,602.

**Engineering majors:** engineering; bioengineering and biomedical; chemical; computer; environmental

3.9% of all Bachelor's Degrees awarded in Engineering.

**Computer science:** 3% of all Bachelor's Degrees awarded in Computer and Information Sciences.

## TUSKEGEE UNIVERSITY

MARGARET MURRAY WASHINGTON HALL, TUSKEGEE, AL 36088

PHONE: 334-727-8500 • E-MAIL: ADMISSIONS@MYTU.TUSKEGEE.EDU

WEBSITE: WWW.TUSKEGEE.EDU

### Student Body

**Enrollment:** 2,598. **Student Body:** Asian 0%, African American 82%, Caucasian 0%, Hispanic 0%, International 2%, Native American <1%.

### Admissions

**Average high school GPA:** 3.24. 20% in top 10% of high school class, 60% in top 25% of high school class, 100% in top 50% of high school class. ACT middle 50% range 18–22. SAT Math middle 50% range 400–520. SAT Critical Reading middle 50% range 400–510. Minimum paper TOEFL 500.

### Costs and Financial Aid

**Annual tuition:** \$18,100. **Room & board:** \$8,510. **Required fees:** \$1,425.

**Average book expense:** \$1,282. 84% first-year, 84% undergrads receive need-based scholarship or grant aid. 86% first-year, 53% undergrads receive need-based self-help aid. 80% first-year, 92% undergrads receive any aid. 75% of first-year need met, 75% of undergrad need met. 91% undergrads borrow to pay for school. **Average cumulative indebtedness:** \$21,000.

**Number of students in Engineering program:** 456

**Engineering majors:** aerospace, aeronautical and astronautical/space; chemical; electrical; mechanics; materials; mechanical

25% of all Bachelor's Degrees awarded in Engineering.

**Computer science:** 1% of all Bachelor's Degrees awarded in Computer and Information Sciences.

## UNION COLLEGE

GRANT HALL, SCHENECTADY, NY 12308

PHONE: 518-388-6112 • E-MAIL: ADMISSIONS@UNION.EDU

WEBSITE: WWW.UNION.EDU

### Student Body

**Enrollment:** 2,204. **Student Body:** Asian 6%, African American 4%, Caucasian 75%, Hispanic 7%, International 7%, Native American <1%.

### Admissions

**Average high school GPA:** 3.41. 70% in top 10% of high school class, 87% in top 25% of high school class, 98% in top 50% of high school class. 68% from public high schools. ACT middle 50% range 28–31. SAT Math middle 50% range 620–720. SAT Critical Reading middle 50% range 590–680. SAT Writing middle 50% range 590–670. Minimum paper TOEFL 600, minimum web-based TOEFL 90.

### Costs and Financial Aid

96% first-year, 96% undergrads receive need-based scholarship or grant aid. 97% first-year, 94% undergrads receive need-based self-help aid. 81% first-year, 77% undergrads receive any aid. 100% of first-year need met, 99% of undergrad need met. 69% undergrads borrow to pay for school. **Average cumulative indebtedness:** \$22,221.

**Engineering majors:** bioengineering and biomedical; electrical; mechanical 13% of all Bachelor's Degrees awarded in Engineering.

**Computer science:** 2% of all Bachelor's Degrees awarded in Computer and Information Sciences.

## UNION UNIVERSITY

1050 UNION UNIVERSITY DRIVE, JACKSON, TN 38305-3697

PHONE: 731-661-5000 • E-MAIL: RGRIMM@UU.EDU

### Student Body

**Enrollment:** 2,567. **Student Body:** Asian 1%, African American 12%, Caucasian 65%, Hispanic 2%, International 1%, Native American <1%.

### Admissions

**Average high school GPA:** 3.67. 33% in top 10% of high school class, 62% in top 25% of high school class, 85% in top 50% of high school class. 57% from public high schools. ACT middle 50% range 22–29. SAT Math middle 50% range 520–670. SAT Critical Reading middle 50% range 500–680. Minimum paper TOEFL 550, minimum web-based TOEFL 80.

### Costs and Financial Aid

**Annual tuition:** \$26,160. **Room & board:** \$8,430. **Required fees:** \$720.

**Average book expense:** \$1,220. 76% first-year, 76% undergrads receive need-based scholarship or grant aid. 70% first-year, 69% undergrads receive need-based self-help aid. 99% first-year, 99% undergrads receive any aid. 65% of first-year need met, 63% of undergrad need met. 56% undergrads borrow to pay for school. **Average cumulative indebtedness:** \$23,169.

**Number of students in Engineering program:** 57

**Engineering majors:** engineering

2% of all Bachelor's Degrees awarded in Engineering.

**Computer science:** 2% of all Bachelor's Degrees awarded in Computer and Information Sciences.

## UNITED STATES AIR FORCE ACADEMY

HQ USAFA/RRS, USAF ACADEMY, CO 80840-5025

PHONE: 719-333-2520 • E-MAIL: RR\_WEBMAIL@USAF.AEDU

WEBSITE: WWW.ACADEMYADMISSIONS.COM

### Student Body

**Enrollment:** 3,952. **Student Body:** Asian 4%, African American 6%, Caucasian 65%, Hispanic 10%, International 1%, Native American <1%.

### Admissions

**Average high school GPA:** 3.85. 56% in top 10% of high school class, 85% in top 25% of high school class, 98% in top 50% of high school class. ACT middle 50% range 28–32. SAT Math middle 50% range 620–710. SAT Critical Reading middle 50% range 590–680.

### Costs and Financial Aid

**Required fees:** \$0. **Average book expense:** \$0.

**Number of students in Engineering program:** 869

**Engineering majors:** engineering; aerospace, aeronautical and astronautical/space; chemical; civil; computer; electrical; mechanical; operations research; 34% of all Bachelor's Degrees awarded in Engineering.

**Computer science:** 3% of all Bachelor's Degrees awarded in Computer and Information Sciences.

## UNITED STATES COAST GUARD ACADEMY

31 MOHEGAN AVENUE, NEW LONDON, CT 06320-8103

PHONE: 860-444-8500 • E-MAIL: USCGA.ADMISSIONS@USCGA.EDU

WEBSITE: WWW.USCGA.EDU

### Student Body

**Enrollment:** 896. **Student Body:** Asian 6%, African American 4%, Caucasian 65%, Hispanic 12%, International 3%, Native American 1%.

### Admissions

**Average high school GPA:** 3.87. 40% in top 10% of high school class, 76% in top 25% of high school class, 97% in top 50% of high school class. 77% from public high schools. ACT middle 50% range 26–30. SAT Math middle 50% range 600–680. SAT Critical Reading middle 50% range 570–660. SAT Writing middle 50% range 570–650. Minimum paper TOEFL 560.

### Costs and Financial Aid

**Required fees:** \$942. **Average book expense:** \$1,358.

**Number of students in Engineering program:** 430

**Engineering majors:** civil; mechanical; naval architecture and marine; operations research; electrical

53% of all Bachelor's Degrees awarded in Engineering.

## UNITED STATES MERCHANT MARINE ACADEMY

OFFICE OF ADMISSIONS, KINGS POINT, NY 11024-1699

PHONE: 516-773-5391 • E-MAIL: ADMISSIONS@USMMA.EDU

WEBSITE: WWW.USMMA.EDU

### Student Body

**Enrollment:** 958. **Student Body:** Asian 6%, African American 3%, Caucasian 80%, Hispanic 9%, International 1%, Native American 1%.

### Admissions

**Average high school GPA:** 3.60. 33% in top 10% of high school class, 57% in top 25% of high school class, 92% in top 50% of high school class. 75% from public high schools. ACT middle 50% range 26–30. SAT Math middle 50% range 613–688. SAT Critical Reading middle 50% range 570–663. Minimum paper TOEFL 533, minimum web-based TOEFL 73.

### Costs and Financial Aid

**Required fees:** \$9,768. **Average book expense:** \$2,887. 100% of first-year need met, 100% of undergrad need met.

**Engineering majors:** engineering; naval architecture and marine 51% of all Bachelor's Degrees awarded in Engineering.

## UNITED STATES MILITARY ACADEMY

646 SWIFT ROAD, WEST POINT, NY 10996-1905

PHONE: 845-938-4041 • E-MAIL: ADMISSIONS@USMA.EDU

WEBSITE: WWW.WESTPOINT.EDU

### Student Body

**Enrollment:** 4,414. **Student Body:** Asian 6%, African American 9%, Caucasian 67%, Hispanic 11%, International 1%, Native American 1%.

### Admissions

52% in top 10% of high school class, 78% in top 25% of high school class, 95% in top 50% of high school class. 78% from public high schools. ACT middle 50% range 26–31. SAT Math middle 50% range 590–700. SAT Critical Reading middle 50% range 570–690. SAT Writing middle 50% range 550–660. Minimum paper TOEFL 500, minimum web-based TOEFL 75.

### Costs and Financial Aid

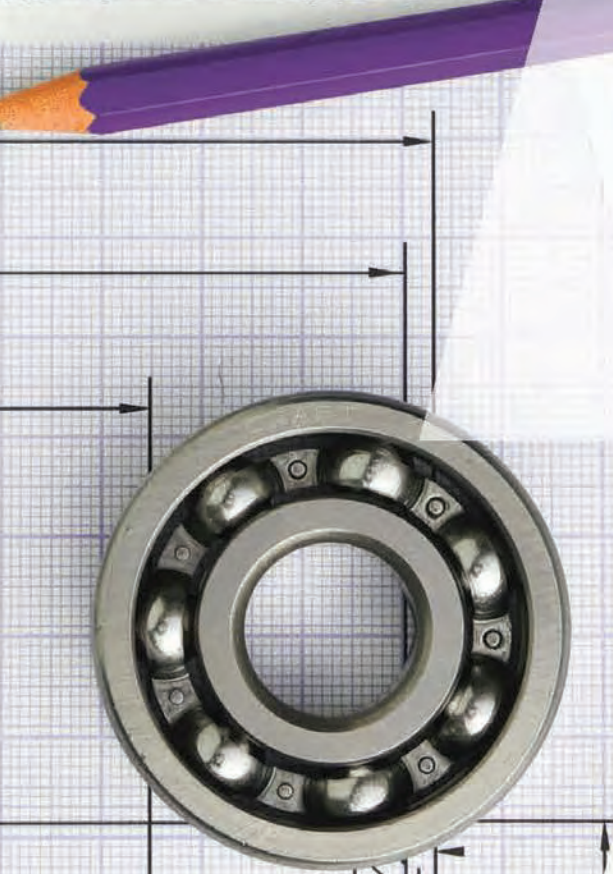
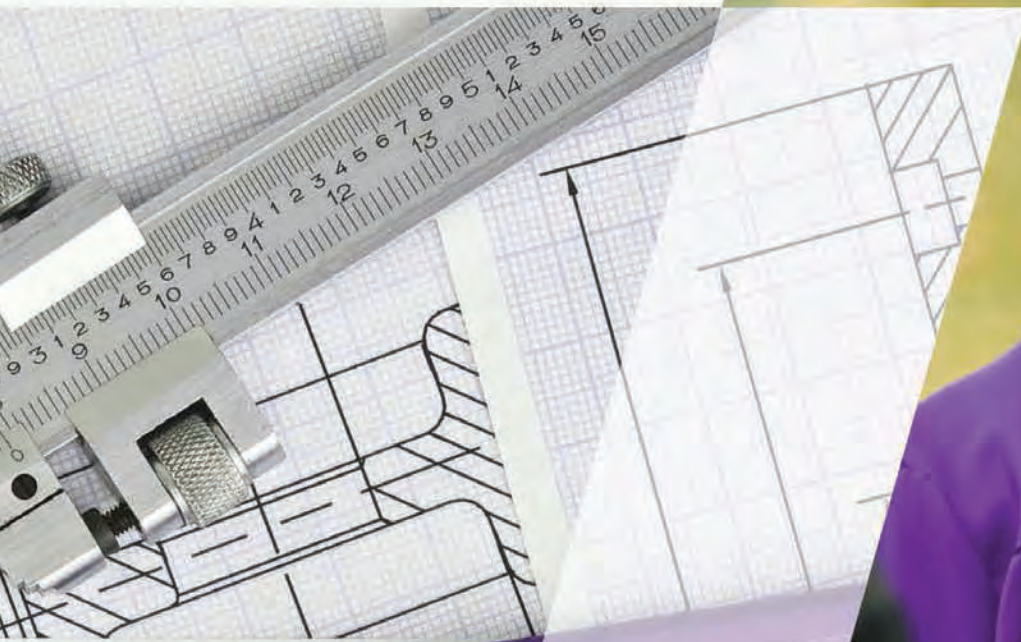
**Required fees:** \$0. **Average book expense:** \$0.

**Number of students in Engineering program:** 1,047

**Engineering majors:** operations research; systems; nuclear; mechanical; environmental; electrical; civil; chemical

25% of all Bachelor's Degrees awarded in Engineering.

*Together we're making  
sure tomorrow's greatest  
innovations come out of  
today's classrooms.*



*Northrop Grumman is proud to partner with NACME  
to develop the next generation of scientific minds  
through education, policy and opportunity. When  
we support education, the whole world benefits.*

[www.northropgrumman.com](http://www.northropgrumman.com)

**THE VALUE OF PERFORMANCE.**  
***NORTHROP GRUMMAN***



# Visionary thinkers wanted.

See what's possible at Seagate.

Imagine a work environment where your talent, abilities, input and ideas are supported, encouraged, and can be put into action for a global innovator.

Seagate Technology is committed to equal opportunity in employment and welcomes applications from all sections of the community, irrespective of sex, marital status, religious affiliation, age, disability, veteran status, or ethnic origin.



**Thank you NACME Board of Directors for helping us engineer a workforce that looks like America by supporting thousands of NACME Scholars throughout their educational and professional careers.**

3M  
 Air Products and Chemicals, Inc.  
 Apache Corporation  
 ARCADIS  
 AT&T  
 Bechtel Corporation  
 The Boeing Company  
 BP plc  
 Bristol-Myers Squibb Company  
 Broadcom Corporation  
 Chevron Corporation  
 Cisco Systems, Inc.  
 Consolidated Edison Company  
 of New York, Inc.

Deloitte & Touche LLP  
 The Dow Chemical Company  
 DuPont  
 Eaton Corporation  
 EMC Corporation  
 Exxon Mobil Corporation  
 Florida A&M University  
 Florida International University  
 Ford Motor Company  
 General Electric Company  
 Hewlett-Packard Company  
 IBM Corporation  
 Intel Corporation  
 Johnson Controls, Inc.

Lockheed Martin Corporation  
 Merck & Co., Inc.  
 National Academy of Engineering  
 New York University Polytechnic  
 School of Engineering  
 Northrop Grumman Corporation  
 PenFed  
 Procter & Gamble Company  
 Raytheon Company  
 Rolls-Royce plc  
 Shell Oil Company  
 United Parcel Service, Inc.  
 Xerox Corporation



The NACME Guide to Engineering Colleges, as well as all of NACME's engineering awareness materials, are available for download at: [nacme.org/middle-high-school-programs](http://nacme.org/middle-high-school-programs)



A circular opening in a dark, metallic structure reveals three people in a brightly lit, futuristic laboratory. A man in the center, wearing glasses and a dark shirt, holds a tablet displaying a complex, glowing blue and white 3D model of a mechanical or biological structure. He is pointing at the screen. To his left, another man in a light grey shirt looks on with a serious expression. To his right, a woman in a white lab coat also looks at the tablet. The background is a bright, hazy light, suggesting a large, open space. The circular opening is framed by thick, dark metal with various bolts and cables. Some cables are labeled "CABLE EXTENSION" and "BARE CABLE".

WITH YOUR HELP, WHAT'S IMPOSSIBLE TODAY  
WON'T BE TOMORROW.

AT LOCKHEED MARTIN,  
WE'RE ENGINEERING A BETTER TOMORROW.

At Lockheed Martin, we don't just wonder "what if?" We obsess. We study. We ponder. We push the state of the art in fields like quantum computing, nanotechnology, material science and countless others. Work like ours takes diverse ways of thinking, viewpoints and more. So while we don't know what's going to change the world next, we do know it will come from students like you.

Learn more at [lockheedmartin.com](http://lockheedmartin.com)

**LOCKHEED MARTIN**





## BUILDING CHAMPIONS IN STEM



**GREAT  
Minds**  
in STEM

Meet the 2014 GMIS College Bowl Champions, The Boeing Company's *Team Alpha*. Along with the trophy – and the invaluable experience of working with real-world engineers from Boeing and competing with STEM college students from across the country – each team member received a scholarship at the 2014 HENAAC Conference.

To learn more about the 2015 Conference, the College Bowl, scholarships, and other opportunities from GMIS, visit us online at:

[WWW.GREATMINDSINSTEM.ORG](http://WWW.GREATMINDSINSTEM.ORG)

# THE UNIVERSITY OF AKRON

THE UNIVERSITY OF AKRON, AKRON, OH 44325-2001

PHONE: 330-972-7100 • E-MAIL: ADMISSIONS@UAKRON.EDU

WEBSITE: WWW.UAKRON.EDU

## Student Body

**Enrollment:** 19,016. **Student Body:** Asian 2%, African American 14%, Caucasian 74%, Hispanic 2%, International 1%, Native American <1%.

## Admissions

**Average high school GPA:** 3.10. 13% in top 10% of high school class, 33% in top 25% of high school class, 62% in top 50% of high school class. ACT middle 50% range 18–25. SAT Math middle 50% range 470–610. SAT Critical Reading middle 50% range 450–590. Minimum paper TOEFL 550, minimum web-based TOEFL 71.

## Costs and Financial Aid

**Annual in-state tuition:** \$8,449. **Annual out-of-state tuition:** \$16,813. **Room & board:** \$10,382. **Required fees:** \$1,605. **Average book expense:** \$1,000. 63% first-year, 63% undergrads receive need-based scholarship or grant aid. 61% first-year, 82% undergrads receive need-based self-help aid. 78% first-year, 81% undergrads receive any aid. 47% of first-year need met, 49% of undergrad need met. 72% undergrads borrow to pay for school. **Average cumulative indebtedness:** \$19,479. **Number of students in Engineering program:** 2,630. **Engineering majors:** engineering; bioengineering and biomedical; chemical; civil; computer; electrical; mechanical; polymer/plastics; mechanical 9% of all Bachelor's Degrees awarded in Engineering. **Computer science:** 2% of all Bachelor's Degrees awarded in Computer and Information Sciences.

# THE UNIVERSITY OF ALABAMA AT BIRMINGHAM

OFFICE OF UNDERGRADUATE ADMISSIONS, BIRMINGHAM, AL 35294-4412

PHONE: 205-934-8221 • E-MAIL: CHOOSEUAB@UAB.EDU

WEBSITE: WWW.UAB.EDU

## Student Body

**Enrollment:** 11,679. **Student Body:** Asian 5%, African American 25%, Caucasian 58%, Hispanic 3%, International 2%, Native American <1%.

## Admissions

**Average high school GPA:** 3.59. 28% in top 10% of high school class, 55% in top 25% of high school class, 83% in top 50% of high school class. ACT middle 50% range 21–27. Minimum web-based TOEFL 77.

## Costs and Financial Aid

**Annual in-state tuition:** \$9,280. **Annual out-of-state tuition:** \$21,220. **Room & board:** \$9,810. **Required fees:** \$0. **Average book expense:** \$1,200. 56% first-year, 56% undergrads receive need-based scholarship or grant aid. 64% first-year, 76% undergrads receive need-based self-help aid. 55% of first-year need met, 48% of undergrad need met. 58% undergrads borrow to pay for school. **Average cumulative indebtedness:** \$25,954. **Number of students in Engineering program:** 472. **Engineering majors:** bioengineering and biomedical; civil; electrical; materials; mechanical 5.8% of all Bachelor's Degrees awarded in Engineering. **Computer science:** 2% of all Bachelor's Degrees awarded in Computer and Information Sciences.

# THE UNIVERSITY OF ALABAMA IN HUNTSVILLE

UAH OFFICE OF ADMISSIONS, HUNTSVILLE, AL 35899

PHONE: 256-824-2773 • E-MAIL: UAHADMISSIONS@UAH.EDU

WEBSITE: WWW.UAH.EDU

## Student Body

**Enrollment:** 5,525. **Student Body:** Asian 4%, African American 13%, Caucasian 70%, Hispanic 3%, International 3%, Native American 1%.

## Admissions

**Average high school GPA:** 3.64. 28% in top 10% of high school class, 50% in top 25% of high school class, 83% in top 50% of high school class. 90% from

public high schools. ACT middle 50% range 23–29. SAT Math middle 50% range 510–650. SAT Critical Reading middle 50% range 510–640. Minimum paper TOEFL 500, minimum web-based TOEFL 62.

## Costs and Financial Aid

**Annual in-state tuition:** \$9,192. **Annual out-of-state tuition:** \$21,506. **Room & board:** \$8,265. **Average book expense:** \$1,592. 87% first-year, 87% undergrads receive need-based scholarship or grant aid. 77% first-year, 87% undergrads receive need-based self-help aid. 88% first-year, 78% undergrads receive any aid. 64% of first-year need met, 53% of undergrad need met. 58% undergrads borrow to pay for school. **Average cumulative indebtedness:** \$26,116. **Number of students in Engineering program:** 1,805. **Engineering majors:** aerospace, aeronautical and astronautical/space; chemical; civil; Computer; electrical; mechanical; industrial; mechanical 24.6% of all Bachelor's Degrees awarded in Engineering. **Computer science:** 3% of all Bachelor's Degrees awarded in Computer and Information Sciences.

# THE UNIVERSITY OF ALABAMA— TUSCALOOSA

BOX 870132, TUSCALOOSA, AL 35487-0132

PHONE: 205-348-5666 • E-MAIL: ADMISSIONS@UA.EDU

WEBSITE: WWW.UA.EDU

## Student Body

**Enrollment:** 29,851. **Student Body:** Asian 1%, African American 11%, Caucasian 78%, Hispanic 3%, International 3%, Native American <1%.

## Admissions

**Average high school GPA:** 3.65. 41% in top 10% of high school class, 61% in top 25% of high school class, 83% in top 50% of high school class. ACT middle 50% range 22–31. SAT Math middle 50% range 500–630. SAT Critical Reading middle 50% range 490–620. SAT Writing middle 50% range 480–600. Minimum paper TOEFL 527, minimum web-based TOEFL 71.

## Costs and Financial Aid

**Annual in-state tuition:** \$9,826. **Annual out-of-state tuition:** \$24,950. **Room & board:** \$8,866. **Required fees:** \$0. **Average book expense:** \$1,200. 76% first-year, 76% undergrads receive need-based scholarship or grant aid. 71% first-year, 80% undergrads receive need-based self-help aid. 76% first-year, 71% undergrads receive any aid. 55% of first-year need met, 50% of undergrad need met. 45% undergrads borrow to pay for school. **Average cumulative indebtedness:** \$23,479. **Number of students in Engineering program:** 4,825. **Engineering majors:** aerospace, aeronautical and astronautical/space; architectural; chemical; civil; electrical; environmental; metallurgical; construction; mechanical 7.2% of all Bachelor's Degrees awarded in Engineering. **Computer science:** 1% of all Bachelor's Degrees awarded in Computer and Information Sciences.

# UNIVERSITY OF ALASKA ANCHORAGE

3211 PROVIDENCE DRIVE, ANCHORAGE, AK 99508-8046

PHONE: 907-786-1480 • E-MAIL: ENROLL@UAA.ALASKA.EDU

WEBSITE: WWW.UAA.ALASKA.EDU/

## Student Body

**Enrollment:** 13,390. **Student Body:** Asian 7%, African American 4%, Caucasian 58%, Hispanic 7%, International 0%, Native American 12%.

## Admissions

13% in top 10% of high school class, 32% in top 25% of high school class, 62% in top 50% of high school class. 95% from public high schools. SAT Math middle 50% range 440–570. SAT Critical Reading middle 50% range 430–580. Minimum paper TOEFL 450.

## Costs and Financial Aid

**Average book expense:** \$1,575. 84% first-year, 84% undergrads receive need-based scholarship or grant aid. 74% first-year, 71% undergrads receive need-based self-help aid. 78% of first-year need met, 69% of undergrad need met. 49% undergrads borrow to pay for school. **Average cumulative indebtedness:** \$22,813. 5.8% of all Bachelor's Degrees awarded in Engineering. **Computer science:** 1% of all Bachelor's Degrees awarded in Computer and Information Sciences.

# UNIVERSITY OF ALASKA FAIRBANKS

PO Box 757480, FAIRBANKS, AK 99775-7480

PHONE: 907-474-7500 • E-MAIL: ADMISSIONS@UAF.EDU

WEBSITE: WWW.UAF.EDU

## Student Body

**Enrollment:** 5,737. **Student Body:** Asian 1%, African American 2%, Caucasian 45%, Hispanic 5%, International 1%, Native American 14%.

## Admissions

**Average high school GPA:** 3.19. 18% in top 10% of high school class, 39% in top 25% of high school class, 67% in top 50% of high school class. ACT middle 50% range 18–25. SAT Math middle 50% range 470–610. SAT Critical Reading middle 50% range 470–600. SAT Writing middle 50% range 440–560. Minimum paper TOEFL 550, minimum web-based TOEFL 79.

## Costs and Financial Aid

**Annual in-state tuition:** \$5,220. **Annual out-of-state tuition:** \$18,540. **Room & board:** \$7,450. **Required fees:** \$962. **Average book expense:** \$1,400. 84% first-year, 84% undergrads receive need-based scholarship or grant aid. 83% first-year, 63% undergrads receive need-based self-help aid. 83% first-year, 76% undergrads receive any aid. 65% of first-year need met, 65% of undergrad need met. 48% undergrads borrow to pay for school. **Average cumulative indebtedness:** \$23,217. **Number of students in Engineering program:** 839. **Engineering majors:** engineering; civil; computer; electrical; mechanical; mining and mineral; petroleum; industrial; geological/geophysical. 13.5% of all Bachelor's Degrees awarded in Engineering. **Computer science:** 1% of all Bachelor's Degrees awarded in Computer and Information Sciences.

# UNIVERSITY OF ARIZONA

PO Box 210040, TUCSON, AZ 85721-0073

PHONE: 520-621-3237 • E-MAIL: ADMISSIONS@ARIZONA.EDU

WEBSITE: HTTP://WWW.ARIZONA.EDU

## Student Body

**Enrollment:** 32,646. **Student Body:** Asian 6%, African American 4%, Caucasian 53%, Hispanic 25%, International 6%, Native American 1%.

## Admissions

**Average high school GPA:** 3.37. 31% in top 10% of high school class, 60% in top 25% of high school class, 88% in top 50% of high school class. 90% from public high schools. ACT middle 50% range 21–27. SAT Math middle 50% range 490–620. SAT Critical Reading middle 50% range 480–600. SAT Writing middle 50% range 470–590. Minimum web-based TOEFL 70.

## Costs and Financial Aid

**Annual in-state tuition:** \$9,952. **Annual out-of-state tuition:** \$28,416. **Room & board:** \$9,700. **Required fees:** \$1,005. **Average book expense:** \$1,200. 91% first-year, 91% undergrads receive need-based scholarship or grant aid. 88% first-year, 62% undergrads receive need-based self-help aid. 65% of first-year need met, 62% of undergrad need met. 49% undergrads borrow to pay for school. **Engineering majors:** engineering; pre-engineering; aerospace, aeronautical and astronautical/space; agricultural; bioengineering and biomedical; chemical; civil; electrical; environmental; mechanical; mining and mineral; systems; industrial; biological/biosystems. 5.6% of all Bachelor's Degrees awarded in Engineering. **Computer science:** 2% of all Bachelor's Degrees awarded in Computer and Information Sciences.

# UNIVERSITY OF ARKANSAS—FAYETTEVILLE

232 SILAS HUNT HALL, FAYETTEVILLE, AR 72701

PHONE: 479-575-5346 • E-MAIL: UOFA@UARK.EDU

WEBSITE: HTTP://WWW.UARK.EDU

## Student Body

**Enrollment:** 21,405. **Student Body:** Asian 3%, African American 5%, Caucasian 78%, Hispanic 7%, International 3%, Native American 1%.

## Admissions

**Average high school GPA:** 3.63. 26% in top 10% of high school class, 55% in top 25% of high school class, 86% in top 50% of high school class. 83% from

public high schools. ACT middle 50% range 23–28. SAT Math middle 50% range 510–620. SAT Critical Reading middle 50% range 500–610. Minimum paper TOEFL 550, minimum web-based TOEFL 79.

## Costs and Financial Aid

**Annual in-state tuition:** \$6,824. **Annual out-of-state tuition:** \$18,914. **Room & board:** \$9,454. **Required fees:** \$1,386. **Average book expense:** \$1,400. 81% first-year, 81% undergrads receive need-based scholarship or grant aid. 77% first-year, 70% undergrads receive need-based self-help aid. 79% first-year, 73% undergrads receive any aid. 68% of first-year need met, 56% of undergrad need met. 48% undergrads borrow to pay for school. **Average cumulative indebtedness:** \$22,043. **Number of students in Engineering program:** 2,724. **Engineering majors:** agricultural; bioengineering and biomedical; chemical; civil; computer; electrical; mechanical; industrial. 9% of all Bachelor's Degrees awarded in Engineering. **Computer science:** 1% of all Bachelor's Degrees awarded in Computer and Information Sciences.

# UNIVERSITY OF ARKANSAS—LITTLE ROCK

2801 SOUTH UNIVERSITY AVENUE, LITTLE ROCK, AR 72204

PHONE: 501-569-3127 • E-MAIL: ADMISSIONS@UALR.EDU

WEBSITE: WWW.UALR.EDU

## Admissions

**Average high school GPA:** 2.50. 93% from public high schools. Minimum paper TOEFL 500.

## Costs and Financial Aid

**Annual out-of-state tuition:** \$2,916. **Room & board:** \$1,875. **Required fees:** \$138. **Average book expense:** \$1,000.

# UNIVERSITY OF BRIDGEPORT

126 PARK AVENUE, BRIDGEPORT, CT 06604

PHONE: 203-576-4552 • E-MAIL: ADMIT@BRIDGEPORT.EDU

## Student Body

**Enrollment:** 2,688. **Student Body:** Asian 3%, African American 37%, Caucasian 27%, Hispanic 18%, International 11%, Native American 1%.

## Admissions

**Average high school GPA:** 2.98. 1% in top 10% of high school class, 32% in top 25% of high school class, 69% in top 50% of high school class. 90% from public high schools. ACT middle 50% range 18–21. SAT Math middle 50% range 410–500. SAT Critical Reading middle 50% range 410–490. SAT Writing middle 50% range 410–490. Minimum paper TOEFL 500, minimum web-based TOEFL 61.

## Costs and Financial Aid

**Annual tuition:** \$25,950. **Room & board:** \$12,050. **Required fees:** \$2,190. **Average book expense:** \$1,500. 85% first-year, 85% undergrads receive need-based scholarship or grant aid. 87% first-year, 87% undergrads receive need-based self-help aid. 98% first-year, 98% undergrads receive any aid. 60% of first-year need met, 59% of undergrad need met. 86% undergrads borrow to pay for school. **Average cumulative indebtedness:** \$25,252. **Number of students in Engineering program:** 42. **Engineering majors:** computer; computer hardware; computer software; electrical; mechanical. 1% of all Bachelor's Degrees awarded in Engineering. **Computer science:** 1% of all Bachelor's Degrees awarded in Computer and Information Sciences.

# UNIVERSITY OF CALIFORNIA—BERKELEY

110 SPROUL HALL, BERKELEY, CA 94720-5800

PHONE: 510-642-3175?

WEBSITE: WWW.BERKELEY.EDU

## Student Body

**Enrollment:** 25,951. **Student Body:** Asian 35%, African American 2%, Caucasian 29%, Hispanic 13%, International 13%, Native American <1%.

## Admissions

**Average high school GPA:** 3.86. 98% in top 10% of high school class, 100% in top 25% of high school class, 100% in top 50% of high school class. ACT



middle 50% range 27–33. SAT Math middle 50% range 650–770. SAT Critical Reading middle 50% range 600–730. SAT Writing middle 50% range 620–740. Minimum paper TOEFL 550, minimum web-based TOEFL 80.

#### Costs and Financial Aid

**Annual in-state tuition:** \$11,220. **Annual out-of-state tuition:** \$34,098. **Room & board:** \$15,180. **Required fees:** \$1,644. **Average book expense:** \$1,226. 91% first-year; 91% undergrads receive need-based scholarship or grant aid. 96% first-year; 86% undergrads receive need-based self-help aid. 98% of first-year need met, 98% of undergrad need met. 43% undergrads borrow to pay for school. **Average cumulative indebtedness:** \$16,530. **Engineering majors:** bioengineering and biomedical; chemical; civil; computer; electrical; physics; science; materials; mechanical; nuclear. 12% of all Bachelor's Degrees awarded in Engineering. **Computer science:** 2% of all Bachelor's Degrees awarded in Computer and Information Sciences.

## UNIVERSITY OF CALIFORNIA—DAVIS

178 MRACK HALL, ONE SHIELDS AVE, DAVIS, CA 95616

PHONE: 530-752-2971 • E-MAIL: UNDERGRADUATEADMISSIONS@UCDAVIS.EDU

WEBSITE: WWW.UCDAVIS.EDU

#### Student Body

**Enrollment:** 27,547. **Student Body:** Asian 34%, African American 2%, Caucasian 29%, Hispanic 18%, International 8%, Native American <1%.

#### Admissions

**Average high school GPA:** 4.00. 84% from public high schools. ACT middle 50% range 25–31. SAT Math middle 50% range 560–700. SAT Critical Reading middle 50% range 520–650. SAT Writing middle 50% range 540–660. Minimum paper TOEFL 550, minimum web-based TOEFL 60.

#### Costs and Financial Aid

**Annual in-state tuition:** \$11,220. **Annual out-of-state tuition:** \$34,098. **Room & board:** \$14,218. **Required fees:** \$2,676. **Average book expense:** \$1,560. 97% first-year; 97% undergrads receive need-based scholarship or grant aid. 97% first-year; 67% undergrads receive need-based self-help aid. 55% undergrads receive any aid. 83% of first-year need met, 82% of undergrad need met. 52% undergrads borrow to pay for school. **Average cumulative indebtedness:** \$15,681. **Number of students in Engineering program:** 2,746. **Engineering majors:** aerospace, aeronautical and astronautical/space; bioengineering and biomedical; chemical; civil; computer; electrical; materials; mechanical. 9.7% of all Bachelor's Degrees awarded in Engineering. **Computer science:** 2% of all Bachelor's Degrees awarded in Computer and Information Sciences.

## UNIVERSITY OF CALIFORNIA—IRVINE

OFFICE OF ADMISSIONS AND RELATIONS WITH SCHOOLS, IRVINE, CA 92697-1075

PHONE: 949-824-6703 • E-MAIL: ADMISSIONS@UCI.EDU

WEBSITE: WWW.UCI.EDU

#### Student Body

**Enrollment:** 24,489. **Student Body:** Asian 41%, African American 2%, Caucasian 14%, Hispanic 24%, International 12%, Native American <1%.

#### Admissions

**Average high school GPA:** 3.94. 96% in top 10% of high school class, 100% in top 25% of high school class, 100% in top 50% of high school class. 75% from public high schools. SAT Math middle 50% range 550–690. SAT Critical Reading middle 50% range 490–620. SAT Writing middle 50% range 510–620. Minimum paper TOEFL 550, minimum web-based TOEFL 80.

#### Costs and Financial Aid

**Annual in-state tuition:** \$11,220. **Annual out-of-state tuition:** \$34,098. **Room & board:** \$12,638. **Required fees:** \$3,357. **Average book expense:** \$1,732. 94% first-year; 94% undergrads receive need-based scholarship or grant aid. 92% first-year; 68% undergrads receive need-based self-help aid. 87% of first-year need met, 83% of undergrad need met. 55% undergrads borrow to pay for school. **Average cumulative indebtedness:** \$19,459. **Number of students in Engineering program:** 3,099. **Engineering majors:** engineering; aerospace, aeronautical and astronautical/space; bioengineering and biomedical; chemical; civil; computer; computer software; electrical; environmental; materials; mechanical. 11% of all Bachelor's Degrees awarded in Engineering.

**Computer science:** 3% of all Bachelor's Degrees awarded in Computer and Information Sciences.

## UNIVERSITY OF CALIFORNIA—LOS ANGELES

1147 MURPHY HALL, LOS ANGELES, CA 90095-1436

PHONE: 310-825-3101 • E-MAIL: UGADM@SAONET.UCLA.EDU

WEBSITE: WWW.UCLA.EDU

#### Student Body

**Enrollment:** 29,625. **Student Body:** Asian 30%, African American 3%, Caucasian 28%, Hispanic 20%, International 13%, Native American <1%.

#### Admissions

**Average high school GPA:** 4.31. 97% in top 10% of high school class, 100% in top 25% of high school class, 100% in top 50% of high school class. 68% from public high schools. ACT middle 50% range 25–32. SAT Math middle 50% range 600–750. SAT Critical Reading middle 50% range 570–710. SAT Writing middle 50% range 590–730. Minimum paper TOEFL 550, minimum web-based TOEFL 83.

#### Costs and Financial Aid

**Annual in-state tuition:** \$11,220. **Annual out-of-state tuition:** \$34,098. **Room & board:** \$12,895. **Required fees:** \$1,642. **Average book expense:** \$1,536. 96% first-year; 96% undergrads receive need-based scholarship or grant aid. 95% first-year; 65% undergrads receive need-based self-help aid. 56% first-year; 54% undergrads receive any aid. 84% of first-year need met, 83% of undergrad need met. 49% undergrads borrow to pay for school. **Average cumulative indebtedness:** \$18,629. **Engineering majors:** aerospace, aeronautical and astronautical/space; agricultural; chemical; civil; computer; electrical; materials; mechanical; geological/geophysical. 7.4% of all Bachelor's Degrees awarded in Engineering. **Computer science:** 2% of all Bachelor's Degrees awarded in Computer and Information Sciences.

## UNIVERSITY OF CALIFORNIA—RIVERSIDE

3106 STUDENT SERVICES BUILDING, RIVERSIDE, CA 92521

PHONE: 951-827-3411 • E-MAIL: ADMIT@UCR.EDU

WEBSITE: WWW.UCR.EDU

#### Student Body

**Enrollment:** 18,612. **Student Body:** Asian 36%, African American 5%, Caucasian 14%, Hispanic 36%, International 3%, Native American <1%.

#### Admissions

**Average high school GPA:** 3.60. 94% in top 10% of high school class, 100% in top 25% of high school class, 100% in top 50% of high school class. 90% from public high schools. ACT middle 50% range 20–26. SAT Math middle 50% range 510–630. SAT Critical Reading middle 50% range 480–580. SAT Writing middle 50% range 480–590. Minimum paper TOEFL 550, minimum web-based TOEFL 80.

#### Costs and Financial Aid

**Annual in-state tuition:** \$11,220. **Annual out-of-state tuition:** \$34,098. **Room & board:** \$15,000. **Required fees:** \$3,850. **Average book expense:** \$1,700. 94% first-year; 94% undergrads receive need-based scholarship or grant aid. 94% first-year; 72% undergrads receive need-based self-help aid. 89% first-year; 85% undergrads receive any aid. 87% of first-year need met, 83% of undergrad need met. 70% undergrads borrow to pay for school. **Average cumulative indebtedness:** \$20,242. **Number of students in Engineering program:** 1,944. **Engineering majors:** chemical; computer; electrical; materials. 6% of all Bachelor's Degrees awarded in Engineering. **Computer science:** 1% of all Bachelor's Degrees awarded in Computer and Information Sciences.

# UNIVERSITY OF CALIFORNIA—SAN DIEGO

9500 GILMAN DRIVE, LA JOLLA, CA 92093-0021

PHONE: 858-534-4831 • E-MAIL: ADMISSIONSINFO@UCSD.EDU

WEBSITE: WWW.UCSD.EDU

## Student Body

**Enrollment:** 24,810. **Student Body:** Asian 35%, African American 2%, Caucasian 20%, Hispanic 15%, International 20%, Native American <1%.

## Admissions

**Average high school GPA:** 4.00. 100% in top 10% of high school class, 100% in top 25% of high school class, 100% in top 50% of high school class. ACT middle 50% range 26–32. SAT Math middle 50% range 620–750. SAT Critical Reading middle 50% range 560–670. SAT Writing middle 50% range 580–690. Minimum paper TOEFL 550.

## Costs and Financial Aid

**Annual in-state tuition:** \$13,456. **Annual out-of-state tuition:** \$36,334. **Room & board:** \$12,254. **Required fees:** \$1,413. **Average book expense:** \$1,509. 92% first-year, 92% undergrads receive need-based scholarship or grant aid. 94% first-year, 83% undergrads receive need-based self-help aid. 77% first-year, 63% undergrads receive any aid. 87% of first-year need met, 87% of undergrad need met. 56% undergrads borrow to pay for school. **Average cumulative indebtedness:** \$18,987.

**Number of students in Engineering program:** 5,630

**Engineering majors:** aerospace, aeronautical and astronautical/space; agricultural; chemical; structural; computer; computer engineering; electrical; mechanics; physics; science; environmental; mechanical  
18% of all Bachelor's Degrees awarded in Engineering.

**Computer science:** 2% of all Bachelor's Degrees awarded in Computer and Information Sciences.

# UNIVERSITY OF CALIFORNIA— SANTA BARBARA

OFFICE OF ADMISSIONS, SANTA BARBARA, CA 93106-2014

PHONE: 805-893-2881 • E-MAIL: ADMISSIONS@SA.UCSB.EDU

WEBSITE: WWW.UCSB.EDU

## Student Body

**Enrollment:** 20,238. **Student Body:** Asian 21%, African American 2%, Caucasian 38%, Hispanic 25%, International 6%, Native American <1%.

## Admissions

**Average high school GPA:** 3.98. 100% in top 10% of high school class, 100% in top 25% of high school class, 100% in top 50% of high school class. 84% from public high schools. ACT middle 50% range 24–30. SAT Math middle 50% range 570–710. SAT Critical Reading middle 50% range 550–670. SAT Writing middle 50% range 570–690. Minimum paper TOEFL 550, minimum web-based TOEFL 80.

## Costs and Financial Aid

**Annual in-state tuition:** \$12,192. **Annual out-of-state tuition:** \$35,070. **Room & board:** \$13,805. **Required fees:** \$1,554. **Average book expense:** \$1,444. 88% first-year, 88% undergrads receive need-based scholarship or grant aid. 89% first-year, 81% undergrads receive need-based self-help aid. 67% undergrads receive any aid. 84% of first-year need met, 83% of undergrad need met. 56% undergrads borrow to pay for school. **Average cumulative indebtedness:** \$19,548.

**Number of students in Engineering program:** 1,251

**Engineering majors:** chemical; computer; electrical; mechanical; engineering  
4% of all Bachelor's Degrees awarded in Engineering.

**Computer science:** 2% of all Bachelor's Degrees awarded in Computer and Information Sciences.

# UNIVERSITY OF CALIFORNIA—SANTA CRUZ

OFFICE OF ADMISSIONS, COOK HOUSE, SANTA CRUZ, CA 95064

PHONE: 831-459-4008 • E-MAIL: ADMISSIONS@UCSC.EDU

WEBSITE: WWW.UCSC.EDU

## Student Body

**Enrollment:** 17,553. **Student Body:** Asian 14%, African American 1%, Caucasian 29%, Hispanic 18%, International 0%, Native American <1%.

## Admissions

**Average high school GPA:** 3.62. 96% in top 10% of high school class, 100% in top 25% of high school class, 100% in top 50% of high school class. 87% from public high schools. ACT middle 50% range 20–27. Major Minimum paper TOEFL 550, minimum web-based TOEFL 83.

## Costs and Financial Aid

**Annual in-state tuition:** \$12,192. **Annual out-of-state tuition:** \$35,070.

**Room & board:** \$14,856. **Required fees:** \$1,224. **Average book expense:** \$1,407. 87% first-year, 87% undergrads receive need-based scholarship or grant aid. 88% first-year, 86% undergrads receive need-based self-help aid. 59% first-year, 56% undergrads receive any aid. 89% of first-year need met, 89% of undergrad need met. 53% undergrads borrow to pay for school. **Average cumulative indebtedness:** \$14,683.

**Number of students in Engineering program:** 1,629

**Engineering majors:** bioengineering and biomedical; computer; electrical  
2% of all Bachelor's Degrees awarded in Engineering.

**Computer science:** 3% of all Bachelor's Degrees awarded in Computer and Information Sciences.

# UNIVERSITY OF CENTRAL ARKANSAS

201 DONAGHEY AVENUE, CONWAY, AR 72035

PHONE: 501-450-3128 • E-MAIL: ADMISSIONS@UCA.EDU

WEBSITE: WWW.UCA.EDU/

## Student Body

**Enrollment:** 9,232. **Student Body:** Asian 2%, African American 20%, Caucasian 65%, Hispanic 4%, International 4%, Native American <1%.

## Admissions

**Average high school GPA:** 3.36. 17% in top 10% of high school class, 43% in top 25% of high school class, 75% in top 50% of high school class. ACT middle 50% range 19–26. SAT Math middle 50% range 450–580. SAT Critical Reading middle 50% range 430–550. SAT Writing middle 50% range 420–530. Minimum paper TOEFL 500, minimum web-based TOEFL 61.

## Costs and Financial Aid

83% first-year, 80% undergrads receive any aid.

**Computer science:** 2% of all Bachelor's Degrees awarded in Computer and Information Sciences.

# UNIVERSITY OF CENTRAL FLORIDA

P.O. Box 160111, ORLANDO, FL 32816-0111

PHONE: 407-823-3000 • E-MAIL: ADMISSION@UCF.EDU

WEBSITE: WWW.UCF.EDU

## Student Body

**Enrollment:** 52,296. **Student Body:** Asian 6%, African American 11%, Caucasian 55%, Hispanic 23%, International 1%, Native American <1%.

## Admissions

**Average high school GPA:** 3.86. 31% in top 10% of high school class, 71% in top 25% of high school class, 96% in top 50% of high school class. ACT middle 50% range 24–28. SAT Math middle 50% range 550–640. SAT Critical Reading middle 50% range 540–640. SAT Writing middle 50% range 510–610. Minimum paper TOEFL 550, minimum web-based TOEFL 80.

## Costs and Financial Aid

**Annual in-state tuition:** \$6,368. **Annual out-of-state tuition:** \$22,467.

**Room & board:** \$9,300. **Required fees:** \$0. **Average book expense:** \$1,146. 65% first-year, 65% undergrads receive need-based scholarship or grant aid. 72% first-year, 59% undergrads receive need-based self-help aid. 88% first-year, 80% undergrads receive any aid. 57% of first-year need met, 57% of undergrad need met. 50% undergrads borrow to pay for school. **Average cumulative indebtedness:** \$22,526.

**Number of students in Engineering program:** 7,311

**Engineering majors:** aerospace, aeronautical and astronautical/space; civil; structural; computer; electrical; laser and optical; environmental; mechanical; industrial

6.3% of all Bachelor's Degrees awarded in Engineering.

**Computer science:** 2% of all Bachelor's Degrees awarded in Computer and Information Sciences.

# UNIVERSITY OF CENTRAL MISSOURI

OFFICE OF ADMISSIONS, WARRENSBURG, MO 64093

PHONE: 660-543-4290 • E-MAIL: ADMIT@UCMOVMB.EDU

WEBSITE: WWW.CMSU.EDU

## Student Body

**Enrollment:** 8,441. **Student Body:** Asian 1%, African American 5%, Caucasian 76%, Hispanic 2%, International 2%, Native American <1%.

## Admissions

**Average high school GPA:** 3.29. 12% in top 10% of high school class, 36% in top 25% of high school class, 71% in top 50% of high school class. 90% from public high schools. ACT middle 50% range 20–24. Minimum paper TOEFL 500.

## Costs and Financial Aid

50% first-year, 50% undergrads receive need-based scholarship or grant aid. 58% first-year, 88% undergrads receive need-based self-help aid. 51% first-year, 61% undergrads receive any aid. 72% of first-year need met, 90% of undergrad need met. 68% undergrads borrow to pay for school. **Average cumulative indebtedness:** \$12,633.

**Number of students in Engineering program:** 40

1% of all Bachelor's Degrees awarded in Engineering.

**Computer science:** 3% of all Bachelor's Degrees awarded in Computer and Information Sciences.

# UNIVERSITY OF CENTRAL OKLAHOMA

100 NORTH UNIVERSITY DRIVE, EDMOND, OK 73034

PHONE: 405-974-2338 • E-MAIL: ADMITUCO@UCO.EDU

## Student Body

**Enrollment:** 14,019. **Student Body:** Asian 3%, African American 9%, Caucasian 60%, Hispanic 4%, International 6%, Native American 5%.

## Admissions

**Average high school GPA:** 3.28. 12% in top 10% of high school class, 35% in top 25% of high school class, 72% in top 50% of high school class. ACT middle 50% range 19–23. Minimum paper TOEFL 560, minimum web-based TOEFL 83.

## Costs and Financial Aid

**Annual in-state tuition:** \$3,681. **Annual out-of-state tuition:** \$10,110.

**Room & board:** \$7,468. **Required fees:** \$542. **Average book expense:** \$1,000. 88% first-year, 88% undergrads receive need-based scholarship or grant aid. 89% first-year, 92% undergrads receive need-based self-help aid. 66% first-year, 75% undergrads receive any aid. 67% of first-year need met, 67% of undergrad need met. 48% undergrads borrow to pay for school. **Average cumulative indebtedness:** \$16,943.

**Number of students in Engineering program:** 202

**Engineering majors:** bioengineering and biomedical; physics  
0.7% of all Bachelor's Degrees awarded in Engineering.

**Computer science:** 1% of all Bachelor's Degrees awarded in Computer and Information Sciences.

# UNIVERSITY OF CINCINNATI

P.O. Box 210091, CINCINNATI, OH 45221-0091

PHONE: 513-556-1100 • E-MAIL: ADMISSIONS@UC.EDU

WEBSITE: WWW.UC.EDU

## Student Body

**Enrollment:** 23,902. **Student Body:** Asian 3%, African American 7%, Caucasian 76%, Hispanic 3%, International 4%, Native American <1%.

## Admissions

**Average high school GPA:** 3.46. 20% in top 10% of high school class, 48% in top 25% of high school class, 83% in top 50% of high school class. ACT middle 50% range 23–28. SAT Math middle 50% range 530–660. SAT Critical Reading middle 50% range 510–630. SAT Writing middle 50% range 490–610. Minimum paper TOEFL 517, minimum web-based TOEFL 66.

## Costs and Financial Aid

**Annual in-state tuition:** \$9,322. **Annual out-of-state tuition:** \$24,656.

**Room & board:** \$10,496. **Required fees:** \$1,678. **Average book expense:** \$1,480. 38% first-year, 38% undergrads receive need-based scholarship or grant aid. 43% first-year, 75% undergrads receive need-based self-help aid. 83%

first-year, 78% undergrads receive any aid. 46% of first-year need met, 43% of undergrad need met. 66% undergrads borrow to pay for school. **Average cumulative indebtedness:** \$25,395.

**Number of students in Engineering program:** 3,490

**Engineering majors:** engineering; aerospace, aeronautical and astronautical/space; architectural; bioengineering and biomedical; chemical; civil; computer; electrical; environmental; mechanical

10% of all Bachelor's Degrees awarded in Engineering.

**Computer science:** 3% of all Bachelor's Degrees awarded in Computer and Information Sciences.

# UNIVERSITY OF COLORADO AT COLORADO SPRINGS

1420 AUSTIN BLUFFS PARKWAY, COLORADO SPRINGS, CO 80918

PHONE: 719-255-3084 • E-MAIL: GO@UCCS.EDU

WEBSITE: WWW.UCCS.EDU

## Student Body

**Enrollment:** 8,868. **Student Body:** Asian 3%, African American 4%, Caucasian 69%, Hispanic 14%, International 1%, Native American 1%.

## Admissions

**Average high school GPA:** 3.31. 13% in top 10% of high school class, 36% in top 25% of high school class, 70% in top 50% of high school class. ACT middle 50% range 21–25. SAT Math middle 50% range 472–600. SAT Critical Reading middle 50% range 470–590. SAT Writing middle 50% range 450–560. Minimum paper TOEFL 550.

## Costs and Financial Aid

**Average book expense:** \$1,800. 58% first-year, 58% undergrads receive need-based scholarship or grant aid. 65% first-year, 78% undergrads receive need-based self-help aid. 58% of first-year need met, 58% of undergrad need met. 41% undergrads borrow to pay for school.

**Engineering majors:** engineering; computer; electrical; mechanical  
5.5% of all Bachelor's Degrees awarded in Engineering.

**Computer science:** 3% of all Bachelor's Degrees awarded in Computer and Information Sciences.

# UNIVERSITY OF COLORADO BOULDER

552 UCB, BOULDER, CO 80309-0552

PHONE: 303-492-6301

WEBSITE: WWW.COLORADO.EDU/

## Student Body

**Enrollment:** 25,859. **Student Body:** Asian 5%, African American 2%, Caucasian 72%, Hispanic 10%, International 5%, Native American <1%.

## Admissions

**Average high school GPA:** 3.58. 27% in top 10% of high school class, 54% in top 25% of high school class, 87% in top 50% of high school class. 90% from public high schools. ACT middle 50% range 24–30. SAT Math middle 50% range 540–660. SAT Critical Reading middle 50% range 520–630. Minimum paper TOEFL 537, minimum web-based TOEFL 75.

## Costs and Financial Aid

**Annual in-state tuition:** \$9,048. **Annual out-of-state tuition:** \$31,410.

**Room & board:** \$12,810. **Required fees:** \$1,741. **Average book expense:** \$1,800. 76% first-year, 76% undergrads receive need-based scholarship or grant aid. 75% first-year, 86% undergrads receive need-based self-help aid. 71% first-year, 58% undergrads receive any aid. 81% of first-year need met, 80% of undergrad need met. 46% undergrads borrow to pay for school. **Average cumulative indebtedness:** \$19,500.

**Number of students in Engineering program:** 3,979

**Engineering majors:** engineering; aerospace, aeronautical and astronautical/space; architectural; chemical; civil; computer; electrical; physics; environmental; mechanical; biochemical

9.8% of all Bachelor's Degrees awarded in Engineering.

**Computer science:** 2% of all Bachelor's Degrees awarded in Computer and Information Sciences.

## UNIVERSITY OF COLORADO DENVER

1300 LAWRENCE STREET, DENVER, CO 80204

PHONE: 303-556-2400 • E-MAIL: CEAS9,048STUDENTSERVICES@UCDENVER.EDU

WEBSITE: WWW.UCDENVER.EDU

### Student Body

**Enrollment:** 359. **Student Body:** Asian 5%, African American 2%, Caucasian 79%, Hispanic 6%, International 1%, Native American 1%.

### Admissions

Minimum paper TOEFL 550.

### Costs and Financial Aid

26% first-year, 96% undergrads receive need-based self-help aid. 80% of undergrad need met. 93% undergrads borrow to pay for school.

## UNIVERSITY OF CONNECTICUT

2131 HILLSIDE ROAD, STORRS, CT 06268-3088

PHONE: 860-486-3137 • E-MAIL: BEAHUSKY@UCONN.EDU

WEBSITE: WWW.UCONN.EDU

### Student Body

**Enrollment:** 18,016. **Student Body:** Asian 10%, African American 5%, Caucasian 62%, Hispanic 8%, International 4%, Native American <1%.

### Admissions

50% in top 10% of high school class, 85% in top 25% of high school class, 98% in top 50% of high school class. 88% from public high schools. ACT middle 50% range 26–30. SAT Math middle 50% range 590–690. SAT Critical Reading middle 50% range 560–660. SAT Writing middle 50% range 550–660. Minimum paper TOEFL 550, minimum web-based TOEFL 79.

### Costs and Financial Aid

**Annual in-state tuition:** \$9,858. **Annual out-of-state tuition:** \$30,038.

**Room & board:** \$12,074. **Required fees:** \$2,842. **Average book expense:** \$850. 66% first-year, 66% undergrads receive need-based scholarship or grant aid. 72% first-year, 72% undergrads receive need-based self-help aid. 49% first-year, 48% undergrads receive any aid. 59% of first-year need met, 62% of undergrad need met. 62% undergrads borrow to pay for school. **Average cumulative indebtedness:** \$21,207.

**Number of students in Engineering program:** 2,430

**Engineering majors:** bioengineering and biomedical; chemical; civil; computer; electrical; physics; environmental; materials; mechanical; industrial  
9% of all Bachelor's Degrees awarded in Engineering.

## UNIVERSITY OF DAYTON

300 COLLEGE PARK, DAYTON, OH 45469-1310

PHONE: 937-229-4411 • E-MAIL: ADMISSION@UDAYTON.EDU

WEBSITE: WWW.UDAYTON.EDU

### Student Body

**Enrollment:** 7,793. **Student Body:** Asian 1%, African American 3%, Caucasian 84%, Hispanic 2%, International 6%, Native American <1%.

### Admissions

**Average high school GPA:** 3.64. 26% in top 10% of high school class, 57% in top 25% of high school class, 88% in top 50% of high school class. 43% from public high schools. ACT middle 50% range 24–29. SAT Math middle 50% range 503–640. SAT Critical Reading middle 50% range 510–620. Minimum paper TOEFL 523, minimum web-based TOEFL 70.

### Costs and Financial Aid

**Annual tuition:** \$32,000. **Room & board:** \$10,350. **Required fees:** \$1,400.

**Average book expense:** \$1,000. 100% first-year, 100% undergrads receive need-based scholarship or grant aid. 100% first-year, 83% undergrads receive need-based self-help aid. 98% first-year, 94% undergrads receive any aid. 80% of first-year need met, 78% of undergrad need met. 62% undergrads borrow to pay for school. **Average cumulative indebtedness:** \$23,306.

**Number of students in Engineering program:** 1,529

**Engineering majors:** mechanical; electrical; computer; civil; chemical  
11.7% of all Bachelor's Degrees awarded in Engineering.

## UNIVERSITY OF DELAWARE

210 SOUTH COLLEGE AVE., NEWARK, DE 19716

PHONE: 302-831-8123 • E-MAIL: ADMISSIONS@UDEL.EDU

WEBSITE: HTTP://WWW.UDEL.EDU

### Student Body

**Enrollment:** 16,871. **Student Body:** Asian 4%, African American 5%, Caucasian 76%, Hispanic 7%, International 4%, Native American <1%.

### Admissions

**Average high school GPA:** 3.50. 37% in top 10% of high school class, 72% in top 25% of high school class, 96% in top 50% of high school class. 80% from public high schools. ACT middle 50% range 24–29. SAT Math middle 50% range 550–660. SAT Critical Reading middle 50% range 540–640. SAT Writing middle 50% range 540–640. Minimum paper TOEFL 570, minimum web-based TOEFL 90.

### Costs and Financial Aid

**Annual in-state tuition:** \$10,900. **Annual out-of-state tuition:** \$29,250.

**Room & board:** \$11,868. **Required fees:** \$1,442. **Average book expense:** \$800.

91% first-year, 91% undergrads receive need-based scholarship or grant aid. 77% first-year, 80% undergrads receive need-based self-help aid. 56% first-year, 49% undergrads receive any aid. 76% of first-year need met, 74% of undergrad need met. 62% undergrads borrow to pay for school. **Average cumulative indebtedness:** \$22,846

**Number of students in Engineering program:** 1,834

**Engineering majors:** engineering; bioengineering and biomedical; chemical; civil; computer; electrical; environmental; mechanical  
7.6% of all Bachelor's Degrees awarded in Engineering.

**Computer science:** 1% of all Bachelor's Degrees awarded in Computer and Information Sciences.

## UNIVERSITY OF DENVER

OFFICE OF ADMISSION, DENVER, CO 80208

PHONE: 303-871-2036 • E-MAIL: ADMISSION@DU.EDU

WEBSITE: HTTP://WWW.DU.EDU

### Student Body

**Enrollment:** 5,629. **Student Body:** Asian 4%, African American 3%, Caucasian 68%, Hispanic 9%, International 10%, Native American <1%.

### Admissions

**Average high school GPA:** 3.68. 42% in top 10% of high school class, 74% in top 25% of high school class, 95% in top 50% of high school class. ACT middle 50% range 25–30. SAT Math middle 50% range 560–660. SAT Critical Reading middle 50% range 550–640. SAT Writing middle 50% range 510–620. Minimum paper TOEFL 550, minimum web-based TOEFL 80.

### Costs and Financial Aid

**Annual tuition:** \$41,112. **Room & board:** \$11,307. **Required fees:** \$978.

**Average book expense:** \$1,800. 98% first-year, 98% undergrads receive need-based scholarship or grant aid. 98% first-year, 70% undergrads receive need-based self-help aid. 85% first-year, 83% undergrads receive any aid. 86% of first-year need met, 86% of undergrad need met. 45% undergrads borrow to pay for school. **Average cumulative indebtedness:** \$22,848.

**Number of students in Engineering program:** 283

**Engineering majors:** engineering; computer; electrical; mechanical  
1.8% of all Bachelor's Degrees awarded in Engineering.

**Computer science:** 2% of all Bachelor's Degrees awarded in Computer and Information Sciences.

## UNIVERSITY OF DETROIT MERCY

4001 W McNICHOLS RD, DETROIT, MI 48221-3038

PHONE: 313-993-1245 • E-MAIL: ADMISSIONS@JDMERCY.EDU

WEBSITE: WWW.UJDMERCY.EDU

### Student Body

**Enrollment:** 2,986. **Student Body:** Asian 2%, African American 32%, Caucasian 52%, Hispanic 2%, International 3%, Native American 1%.

### Admissions

**Average high school GPA:** 3.33. 22% in top 10% of high school class, 50% in top 25% of high school class, 83% in top 50% of high school class. ACT middle 50% range 19–25.

### Costs and Financial Aid

**Annual tuition:** \$20,400. **Room & board:** \$7,040. **Required fees:** \$570. **Average book expense:** \$1,300. 83% first-year, 83% undergrads receive need-based scholarship or grant aid. 92% first-year, 89% undergrads receive need-based self-help aid. 89% of first-year need met, 80% of undergrad need met. **Engineering majors:** engineering; architectural; civil; electrical; mechanical; manufacturing  
13% of all Bachelor's Degrees awarded in Engineering.  
**Computer science:** 1% of all Bachelor's Degrees awarded in Computer and Information Sciences.

## UNIVERSITY OF THE DISTRICT OF COLUMBIA

4200 CONNECTICUT AVENUE NORTHWEST, WASHINGTON, DC 20008

PHONE: 202-274-6110 • E-MAIL: LFLANNAGAN@UDC.EDU

WEBSITE: WWW.UDC.EDU

### Student Body

**Enrollment:** 5,300. **Student Body:** Asian 2%, African American 73%, Caucasian 6%, Hispanic 5%, International 0%, Native American <1%.

### Admissions

90% from public high schools. Minimum paper TOEFL 550.

### Costs and Financial Aid

**Annual in-state tuition:** \$2,160. **Annual out-of-state tuition:** \$4,800. **Required fees:** \$510. **Average book expense:** \$900. 87% first-year, 87% undergrads receive need-based scholarship or grant aid. 81% first-year, 14% undergrads receive need-based self-help aid. 75% of first-year need met, 75% of undergrad need met. 63% undergrads borrow to pay for school. 7% of all Bachelor's Degrees awarded in Engineering.  
**Computer science:** 5% of all Bachelor's Degrees awarded in Computer and Information Sciences.

## UNIVERSITY OF EVANSVILLE

1800 LINCOLN AVENUE, EVANSVILLE, IN 47722

PHONE: 812-488-2468 • E-MAIL: ADMISSION@EVANSVILLE.EDU

WEBSITE: WWW.EVANSVILLE.EDU

### Student Body

**Enrollment:** 2,339. **Student Body:** Asian 1%, African American 3%, Caucasian 74%, Hispanic 3%, International 14%, Native American <1%.

### Admissions

**Average high school GPA:** 3.62. 30% in top 10% of high school class, 62% in top 25% of high school class, 93% in top 50% of high school class. ACT middle 50% range 23–28. SAT Math middle 50% range 510–620. SAT Critical Reading middle 50% range 510–610. SAT Writing middle 50% range 480–590. Minimum paper TOEFL 500, minimum web-based TOEFL 61.

### Costs and Financial Aid

100% first-year, 100% undergrads receive need-based scholarship or grant aid. 99% first-year, 67% undergrads receive need-based self-help aid. 95% first-year, 94% undergrads receive any aid. 85% of first-year need met, 83% of undergrad need met. 75% undergrads borrow to pay for school. **Average cumulative indebtedness:** \$25,731.  
**Number of students in Engineering program:** 293  
**Engineering majors:** civil; computer; electrical; mechanical  
9% of all Bachelor's Degrees awarded in Engineering.  
**Computer science:** 1% of all Bachelor's Degrees awarded in Computer and Information Sciences.

## UNIVERSITY OF FLORIDA

201 CRISER HALL, GAINESVILLE, FL 32611-4000

PHONE: 352-392-1365 • E-MAIL: WEBREQUESTS@ADMISSIONS.UFL.EDU

WEBSITE: WWW.UFL.EDU

### Student Body

**Enrollment:** 32,758. **Student Body:** Asian 8%, African American 7%, Caucasian 58%, Hispanic 20%, International 1%, Native American <1%.

### Admissions

75% in top 10% of high school class, 97% in top 25% of high school class, 100% in top 50% of high school class. 73% from public high schools. ACT middle 50% range 26–31. SAT Math middle 50% range 590–690. SAT Critical Reading middle 50% range 580–670. SAT Writing middle 50% range 580–670.

### Costs and Financial Aid

**Annual in-state tuition:** \$6,313. **Annual out-of-state tuition:** \$28,590. **Room & board:** \$9,630. **Average book expense:** \$1,290. 58% first-year, 58% undergrads receive need-based scholarship or grant aid. 60% first-year, 48% undergrads receive need-based self-help aid. 95% first-year, 89% undergrads receive any aid. 99% of first-year need met, 91% of undergrad need met. 43% undergrads borrow to pay for school. **Average cumulative indebtedness:** \$20,100.  
**Number of students in Engineering program:** 5,326  
**Engineering majors:** aerospace, aeronautical and astronautical/space; agricultural; bioengineering and biomedical; chemical; civil; computer; electrical; mechanics; environmental; materials; mechanical; nuclear; ocean; systems; industrial  
12.2% of all Bachelor's Degrees awarded in Engineering.  
**Computer science:** 1% of all Bachelor's Degrees awarded in Computer and Information Sciences.

## UNIVERSITY OF GEORGIA

TERRELL HALL, 210 SOUTH JACKSON STREET, ATHENS, GA 30602-1633

PHONE: 706-542-8776 • E-MAIL: ADMPROC@UGA.EDU

WEBSITE: WWW.UGA.EDU

### Student Body

**Enrollment:** 26,120. **Student Body:** Asian 9%, African American 7%, Caucasian 73%, Hispanic 5%, International 1%, Native American <1%.

### Admissions

**Average high school GPA:** 3.86. 53% in top 10% of high school class, 91% in top 25% of high school class, 99% in top 50% of high school class. 81% from public high schools. ACT middle 50% range 26–30. SAT Math middle 50% range 580–670. SAT Critical Reading middle 50% range 570–660. SAT Writing middle 50% range 560–670. Minimum paper TOEFL 550, minimum web-based TOEFL 80.

### Costs and Financial Aid

**Annual in-state tuition:** \$8,590. **Annual out-of-state tuition:** \$26,800. **Room & board:** \$9,246. **Required fees:** \$2,246. **Average book expense:** \$800. 98% first-year, 98% undergrads receive need-based scholarship or grant aid. 91% first-year, 70% undergrads receive need-based self-help aid. 45% first-year, 46% undergrads receive any aid. 72% of first-year need met, 66% of undergrad need met. 48% undergrads borrow to pay for school. **Average cumulative indebtedness:** \$19,155.  
**Number of students in Engineering program:** 918  
**Engineering majors:** engineering; agricultural; civil; computer; electrical; environmental; mechanical; biochemical; biological/biosystems;  
1% of all Bachelor's Degrees awarded in Engineering.  
**Computer science:** 1% of all Bachelor's Degrees awarded in Computer and Information Sciences.

## UNIVERSITY OF HARTFORD

200 BLOOMFIELD AVENUE, WEST HARTFORD, CT 06117

PHONE: 860-768-4296 • E-MAIL: ADMISSIONS@MAIL.HARTFORD.EDU

WEBSITE: WWW.HARTFORD.EDU

### Student Body

**Enrollment:** 5,318. **Student Body:** Asian 3%, African American 10%, Caucasian 67%, Hispanic 5%, International 3%, Native American <1%.

### Admissions

76% from public high schools. ACT middle 50% range 21–25. SAT Math middle 50% range 490–590. SAT Critical Reading middle 50% range 480–580. Minimum paper TOEFL 550.

### Costs and Financial Aid

**Annual tuition:** \$24,576. **Room & board:** \$9,922. **Required fees:** \$1,190. **Average book expense:** \$860. 97% first-year, 97% undergrads receive need-based scholarship or grant aid. 95% first-year, 92% undergrads receive need-based self-help aid. 97% first-year, 95% undergrads receive any aid. 45% of first-year need met, 40% of undergrad need met. 66% undergrads borrow to pay for school.  
**Number of students in Engineering program:** 735  
**Engineering majors:** engineering; civil; computer; electrical; environmental; mechanical  
6% of all Bachelor's Degrees awarded in Engineering.  
**Computer science:** 2% of all Bachelor's Degrees awarded in Computer and Information Sciences.

# UNIVERSITY OF HAWAII AT MANOA

2600 CAMPUS ROAD, HONOLULU, HI 96822

PHONE: 808-956-8975 • E-MAIL: AR-INFO@HAWAII.EDU

WEBSITE: HTTP://MANOA.HAWAII.EDU

## Student Body

**Enrollment:** 14,097. **Student Body:** Asian 41%, African American 1%, Caucasian 20%, Hispanic 2%, International 2%, Native American <1%.

## Admissions

**Average high school GPA:** 3.46. 27% in top 10% of high school class, 58% in top 25% of high school class, 89% in top 50% of high school class. 66% from public high schools. ACT middle 50% range 20–26. SAT Math middle 50% range 500–620. SAT Critical Reading middle 50% range 470–580. SAT Writing middle 50% range 470–570. Minimum paper TOEFL 500, minimum web-based TOEFL 61.

## Costs and Financial Aid

**Annual in-state tuition:** \$9,840. **Annual out-of-state tuition:** \$28,632. **Room & board:** \$10,218. **Required fees:** \$740. **Average book expense:** \$1,246. 97% first-year, 97% undergrads receive need-based scholarship or grant aid. 92% first-year, 63% undergrads receive need-based self-help aid. 62% first-year, 59% undergrads receive any aid. 73% of first-year need met, 68% of undergrad need met. 43% undergrads borrow to pay for school. **Average cumulative indebtedness:** \$19,388.

**Number of students in Engineering program:** 744

**Engineering majors:** engineering; agricultural; civil; electrical; mechanical; ocean

6.2% of all Bachelor's Degrees awarded in Engineering.

**Computer science:** 1% of all Bachelor's Degrees awarded in Computer and Information Sciences.

# UNIVERSITY OF HOUSTON

OFFICE OF ADMISSIONS, HOUSTON, TX 77204-2023

PHONE: 713-743-1010 • E-MAIL: ADMISSIONS@UH.EDU

WEBSITE: WWW.UH.EDU

## Student Body

**Enrollment:** 31,722. **Student Body:** Asian 22%, African American 11%, Caucasian 27%, Hispanic 31%, International 5%, Native American <1%.

## Admissions

32% in top 10% of high school class, 63% in top 25% of high school class, 89% in top 50% of high school class. 93% from public high schools. ACT middle 50% range 22–27. SAT Math middle 50% range 540–640. SAT Critical Reading middle 50% range 500–610. Minimum paper TOEFL 550, minimum web-based TOEFL 79.

## Costs and Financial Aid

**Annual in-state tuition:** \$9,000. **Annual out-of-state tuition:** \$22,860. **Room & board:** \$9,278. **Required fees:** \$954. **Average book expense:** \$1,200. 88% first-year, 88% undergrads receive need-based scholarship or grant aid. 80% first-year, 62% undergrads receive need-based self-help aid. 85% first-year, 76% undergrads receive any aid. 68% of first-year need met, 60% of undergrad need met. 48% undergrads borrow to pay for school.

**Number of students in Engineering program:** 3,005

**Engineering majors:** engineering; aerospace, aeronautical and astronautical/space; bioengineering and biomedical; chemical; civil; computer; electrical; environmental; materials; mechanical; petroleum; systems; industrial; surveying

5.4% of all Bachelor's Degrees awarded in Engineering.

**Computer science:** 3% of all Bachelor's Degrees awarded in Computer and Information Sciences.

# UNIVERSITY OF HOUSTON—CLEAR LAKE

2700 BAY AREA BOULEVARD, HOUSTON, TX 77058-1098

PHONE: 281-283-2500 • E-MAIL: ADMISSIONS@UHCL.EDU

## Student Body

**Enrollment:** 4,689. **Student Body:** Asian 6%, African American 9%, Caucasian 49%, Hispanic 32%, International 2%, Native American <1%.

## Admissions

Minimum paper TOEFL 550, minimum web-based TOEFL 79.

## Costs and Financial Aid

41% undergrads receive any aid.

**Engineering majors:** computer

1% of all Bachelor's Degrees awarded in Engineering.

**Computer science:** 2% of all Bachelor's Degrees awarded in Computer and Information Sciences.

# UNIVERSITY OF HOUSTON—DOWNTOWN

ONE MAIN STREET, OFFICE OF ADMISSIONS, HOUSTON, TX 77002-1001

PHONE: 713-221-8522 • E-MAIL: UHADMIT@UHD.EDU

WEBSITE: WWW.UHD.EDU

## Student Body

**Enrollment:** 13,662. **Student Body:** Asian 9%, African American 24%, Caucasian 17%, Hispanic 41%, International 5%, Native American <1%.

## Admissions

9% in top 10% of high school class, 35% in top 25% of high school class, 74% in top 50% of high school class. 86% from public high schools. ACT middle 50% range 16–20. SAT Math middle 50% range 430–510. SAT Critical Reading middle 50% range 390–470. SAT Writing middle 50% range 380–480. Minimum paper TOEFL 550, minimum web-based TOEFL 80.

## Costs and Financial Aid

**Annual in-state tuition:** \$5,490. **Annual out-of-state tuition:** \$16,350.

**Required fees:** \$1,124. 86% first-year, 86% undergrads receive need-based scholarship or grant aid. 85% first-year, 58% undergrads receive need-based self-help aid. 81% first-year, 78% undergrads receive any aid. 47% of first-year need met, 57% of undergrad need met. 57% undergrads borrow to pay for school. **Average cumulative indebtedness:** \$23,019

**Computer science:** 1% of all Bachelor's Degrees awarded in Computer and Information Sciences.

# UNIVERSITY OF IDAHO

UI ADMISSIONS OFFICE, MOSCOW, ID 83844-4264

PHONE: 208-885-6326 • E-MAIL: ADMAPPL@UIDAHO.EDU

WEBSITE: HTTP://WWW.UIDAHO.EDU/

## Student Body

**Enrollment:** 8,162. **Student Body:** Asian 1%, African American 1%, Caucasian 77%, Hispanic 9%, International 4%, Native American 1%.

## Admissions

**Average high school GPA:** 3.41. 20% in top 10% of high school class, 45% in top 25% of high school class, 73% in top 50% of high school class. 90% from public high schools. ACT middle 50% range 20–27. SAT Math middle 50% range 460–590. SAT Critical Reading middle 50% range 450–580. SAT Writing middle 50% range 450–560. Minimum paper TOEFL 525, minimum web-based TOEFL 70.

## Costs and Financial Aid

**Annual in-state tuition:** \$4,784. **Annual out-of-state tuition:** \$18,314.

**Room & board:** \$8,022. **Required fees:** \$2,000. **Average book expense:** \$1,232. 73% first-year, 73% undergrads receive need-based scholarship or grant aid. 76% first-year, 77% undergrads receive need-based self-help aid. 90% first-year, 80% undergrads receive any aid. 80% of first-year need met, 75% of undergrad need met. 68% undergrads borrow to pay for school. **Average cumulative indebtedness:** \$24,595.

**Number of students in Engineering program:** 1,522

**Engineering majors:** chemical; civil; computer; electrical; materials; mechanical; biological/biosystems

0.1% of all Bachelor's Degrees awarded in Engineering.

# UNIVERSITY OF ILLINOIS AT CHICAGO

SUITE 100, SSB, 1200 W. HARRISON ST., CHICAGO, IL 60607-7161

PHONE: 312-996-4350 • E-MAIL: UICADMIT@UIC.EDU

WEBSITE: HTTP://WWW.UIC.EDU

## Student Body

**Enrollment:** 16,635. **Student Body:** Asian 23%, African American 8%, Caucasian 36%, Hispanic 26%, International 2%, Native American <1%.

## Admissions

**Average high school GPA:** 3.31. 24% in top 10% of high school class, 62% in top 25% of high school class, 92% in top 50% of high school class. 59% from

public high schools. ACT middle 50% range 22–27. SAT Math middle 50% range 530–660. SAT Critical Reading middle 50% range 460–580. SAT Writing middle 50% range 480–580. Minimum paper TOEFL 550, minimum web-based TOEFL 80.

### Costs and Financial Aid

**Annual in-state tuition:** \$10,584. **Annual out-of-state tuition:** \$22,976. **Room & board:** \$10,871. **Required fees:** \$3,050. **Average book expense:** \$1,400. 82% first-year, 82% undergrads receive need-based scholarship or grant aid. 80% first-year, 68% undergrads receive need-based self-help aid. 75% first-year, 74% undergrads receive any aid. 59% of first-year need met, 60% of undergrad need met. 65% undergrads borrow to pay for school. **Average cumulative indebtedness:** \$20,431.

**Number of students in Engineering program:** 2,702

**Engineering majors:** bioengineering and biomedical; chemical; civil; computer; electrical; physics; mechanical; industrial

10.9% of all Bachelor's Degrees awarded in Engineering.

**Computer science:** 3% of all Bachelor's Degrees awarded in Computer and Information Sciences

## UNIVERSITY OF ILLINOIS AT URBANA-CHAMPAIGN

901 WEST ILLINOIS STREET, URBANA, IL 61801-3028

PHONE: 217-333-0302 • E-MAIL: [HTTP://ADMISSIONS.ILLINOIS.EDU/CONTACT\\_U](http://admissions.illinois.edu/contact_u)

WEBSITE: [ILLINOIS.EDU](http://illinois.edu)

### Student Body

**Enrollment:** 31,663. **Student Body:** Asian 15%, African American 6%, Caucasian 53%, Hispanic 8%, International 15%, Native American <1%.

### Admissions

55% in top 10% of high school class, 87% in top 25% of high school class, 99% in top 50% of high school class. 75% from public high schools. ACT middle 50% range 26–31. SAT Math middle 50% range 700–780. SAT Critical Reading middle 50% range 560–670. SAT Writing middle 50% range 580–670. Minimum paper TOEFL 550, minimum web-based TOEFL 79.

### Costs and Financial Aid

**Annual in-state tuition:** \$12,036. **Annual out-of-state tuition:** \$26,662. **Room & board:** \$10,848. **Required fees:** \$3,566. **Average book expense:** \$1,200. 78% first-year, 78% undergrads receive need-based scholarship or grant aid. 77% first-year, 82% undergrads receive need-based self-help aid. 69% first-year, 72% undergrads receive any aid. 66% of first-year need met, 62% of undergrad need met. 52% undergrads borrow to pay for school. **Average cumulative indebtedness:** \$21,455.

**Number of students in Engineering program:** 4,928

**Engineering majors:** engineering; aerospace, aeronautical and astronautical/space; agricultural; bioengineering and biomedical; ceramic sciences; chemical; civil; geotechnical and geoenvironmental; structural; transportation and highway; water resources; computer; computer hardware; computer software; electrical; mechanics; physics; environmental; materials; mechanical; metallurgical; nuclear; polymer/plastics; construction; industrial; manufacturing; operations research

17% of all Bachelor's Degrees awarded in Engineering.

**Computer science:** 2% of all Bachelor's Degrees awarded in Computer and Information Sciences.

## UNIVERSITY OF IOWA

107 CALVIN HALL, IOWA CITY, IA 52242

PHONE: 319-335-3847 • E-MAIL: [ADMISSIONS@UIOWA.EDU](mailto:admissions@uiowa.edu)

WEBSITE: [WWW.UIOWA.EDU](http://www.uiowa.edu)

### Student Body

**Enrollment:** 21,486. **Student Body:** Asian 3%, African American 3%, Caucasian 68%, Hispanic 6%, International 11%, Native American <1%.

### Admissions

**Average high school GPA:** 3.63. 29% in top 10% of high school class, 56% in top 25% of high school class, 90% in top 50% of high school class. 91% from public high schools. ACT middle 50% range 23–28. SAT Math middle 50% range 540–700. SAT Critical Reading middle 50% range 460–620. Minimum paper TOEFL 530, minimum web-based TOEFL 80.

### Costs and Financial Aid

**Annual in-state tuition:** \$6,678. **Annual out-of-state tuition:** \$26,464. **Room & board:** \$9,728. **Required fees:** \$1,426. **Average book expense:**

\$1,240. 72% first-year, 72% undergrads receive need-based scholarship or grant aid. 68% first-year, 89% undergrads receive need-based self-help aid. 79% first-year, 72% undergrads receive any aid. 71% of first-year need met, 60% of undergrad need met. 56% undergrads borrow to pay for school. **Average cumulative indebtedness:** \$23,808.

**Engineering majors:** engineering; bioengineering and biomedical; chemical; civil; transportation and highway; computer; electrical; environmental; mechanical; polymer/plastics; industrial

6.4% of all Bachelor's Degrees awarded in Engineering.

**Computer science:** 2% of all Bachelor's Degrees awarded in Computer and Information Sciences.

## UNIVERSITY OF KANSAS

OFFICE OF ADMISSIONS, LAWRENCE, KS 66045-7576

PHONE: 785-864-3911 • E-MAIL: [ADM@KU.EDU](mailto:adm@ku.edu)

WEBSITE: [HTTP://WWW.KU.EDU/](http://www.ku.edu/)

### Student Body

**Enrollment:** 18,802. **Student Body:** Asian 4%, African American 5%, Caucasian 73%, Hispanic 7%, International 5%, Native American <1%.

### Admissions

**Average high school GPA:** 3.50. 26% in top 10% of high school class, 56% in top 25% of high school class, 87% in top 50% of high school class. ACT middle 50% range 22–28.

### Costs and Financial Aid

**Annual in-state tuition:** \$9,547. **Annual out-of-state tuition:** \$24,831.

**Room & board:** \$7,896. **Required fees:** \$900. **Average book expense:** \$950. 55% first-year, 55% undergrads receive need-based scholarship or grant aid. 59% first-year, 76% undergrads receive need-based self-help aid. 73% first-year, 59% undergrads receive any aid. 52% of first-year need met, 50% of undergrad need met. 53% undergrads borrow to pay for school. **Average cumulative indebtedness:** \$22,358.

**Number of students in Engineering program:** 2,018

**Engineering majors:** aerospace, aeronautical and astronautical/space; architectural; chemical; civil; computer; electrical; physics; mechanical; petroleum

8% of all Bachelor's Degrees awarded in Engineering.

**Computer science:** 1% of all Bachelor's Degrees awarded in Computer and Information Sciences.

## UNIVERSITY OF KENTUCKY

100 FUNKHOUSER BUILDING, LEXINGTON, KY 40506

PHONE: 859-257-2000 • E-MAIL: [ADMISSIONS@UKY.EDU](mailto:admissions@uky.edu)

WEBSITE: [WWW.UKY.EDU](http://www.uky.edu)

### Student Body

**Enrollment:** 20,436. **Student Body:** Asian 2%, African American 8%, Caucasian 80%, Hispanic 3%, International 2%, Native American <1%.

### Admissions

**Average high school GPA:** 3.46. 32% in top 10% of high school class, 61% in top 25% of high school class, 88% in top 50% of high school class. ACT middle 50% range 23–28. SAT Math middle 50% range 510–630. SAT Critical Reading middle 50% range 500–620. SAT Writing middle 50% range 480–600. Minimum paper TOEFL 527.

### Costs and Financial Aid

**Annual in-state tuition:** \$8,610. **Annual out-of-state tuition:** \$18,798.

**Room & board:** \$10,192. **Required fees:** \$1,066. **Average book expense:** \$800. 46% first-year, 46% undergrads receive need-based scholarship or grant aid. 49% first-year, 68% undergrads receive need-based self-help aid. 40% first-year, 38% undergrads receive any aid. 67% of first-year need met, 63% of undergrad need met. 40% undergrads borrow to pay for school. **Average cumulative indebtedness:** \$16,374.

**Engineering majors:** agricultural; chemical; civil; computer; electrical; materials; mechanical; mining and mineral

8.2% of all Bachelor's Degrees awarded in Engineering.

**Computer science:** 1% of all Bachelor's Degrees awarded in Computer and Information Sciences.

# UNIVERSITY OF LOUISIANA AT LAFAYETTE

P.O. DRAWER 41210, LAFAYETTE, LA 70504

PHONE: 337-482-6553 • E-MAIL: ENROLL@LOUISIANA.EDU

WEBSITE: WWW.LOUISIANA.EDU

## Student Body

**Enrollment:** 14,667. **Student Body:** Asian 2%, African American 21%, Caucasian 68%, Hispanic 3%, International 2%, Native American <1%.

## Admissions

**Average high school GPA:** 3.30. 19% in top 10% of high school class, 43% in top 25% of high school class, 74% in top 50% of high school class. ACT middle 50% range 21–25. SAT Math middle 50% range 490–590. SAT Critical Reading middle 50% range 470–590. Minimum paper TOEFL 525.

## Costs and Financial Aid

**Annual in-state tuition:** \$4,916. **Annual out-of-state tuition:** \$17,316. **Room & board:** \$8,566. **Required fees:** \$2,033. **Average book expense:** \$1,200. 96% first-year, 96% undergrads receive need-based scholarship or grant aid. 88% first-year, 59% undergrads receive need-based self-help aid. 87% first-year, 72% undergrads receive any aid. 61% of first-year need met, 52% of undergrad need met.

**Number of students in Engineering program:** 1,044

**Engineering majors:** chemical; civil; computer; electrical; mechanical; petroleum

7% of all Bachelor's Degrees awarded in Engineering.

**Computer science:** 2% of all Bachelor's Degrees awarded in Computer and Information Sciences.

# UNIVERSITY OF LOUISVILLE

ADMISSIONS OFFICE, LOUISVILLE, KY 40292

PHONE: 502-852-6531 • E-MAIL: ADMITME@LOUISVILLE.EDU

WEBSITE: WWW.LOUISVILLE.EDU

## Student Body

**Enrollment:** 15,038. **Student Body:** Asian 3%, African American 11%, Caucasian 76%, Hispanic 4%, International 1%, Native American <1%.

## Admissions

**Average high school GPA:** 3.55. 79% from public high schools. ACT middle 50% range 22–28. SAT Math middle 50% range 510–630. SAT Critical Reading middle 50% range 500–620. Minimum paper TOEFL 550.

## Costs and Financial Aid

**Annual out-of-state tuition:** \$24,124. **Room & board:** \$7,710. **Average book expense:** \$1,000. 97% first-year, 97% undergrads receive need-based scholarship or grant aid. 88% first-year, 62% undergrads receive need-based self-help aid. 97% first-year, 79% undergrads receive any aid. 63% of first-year need met, 60% of undergrad need met. 55% undergrads borrow to pay for school. **Average cumulative indebtedness:** \$20,681.

**Number of students in Engineering program:** 1,803

**Engineering majors:** bioengineering and biomedical; chemical; civil; computer; electrical; mechanical; industrial

9.2% of all Bachelor's Degrees awarded in Engineering.

# UNIVERSITY OF MAINE

5713 CHADBOURNE HALL, ORONO, ME 04469-5713

PHONE: 207-581-1561 • E-MAIL: UM-ADMIT@MAINE.EDU

WEBSITE: WWW.UMAINE.EDU

## Student Body

**Enrollment:** 8,682. **Student Body:** Asian 1%, African American 2%, Caucasian 82%, Hispanic 2%, International 2%, Native American 1%.

## Admissions

**Average high school GPA:** 3.27. 20% in top 10% of high school class, 46% in top 25% of high school class, 81% in top 50% of high school class. ACT middle 50% range 21–27. SAT Math middle 50% range 480–600. SAT Critical Reading middle 50% range 480–590. SAT Writing middle 50% range 460–570. Minimum paper TOEFL 550, minimum web-based TOEFL 79.

## Costs and Financial Aid

**Annual in-state tuition:** \$8,370. **Annual out-of-state tuition:** \$26,250.

**Room & board:** \$9,296. **Required fees:** \$2,236. **Average book expense:** \$1,000. 96% first-year, 96% undergrads receive need-based scholarship or grant

aid. 85% first-year, 86% undergrads receive need-based self-help aid. 93% first-year, 83% undergrads receive any aid. 83% of first-year need met, 80% of undergrad need met. 77% undergrads borrow to pay for school. **Average cumulative indebtedness:** \$26,468.

**Number of students in Engineering program:** 1,317

**Engineering majors:** engineering; agricultural; bioengineering and biomedical; chemical; civil; computer; electrical; physics; mechanical  
11% of all Bachelor's Degrees awarded in Engineering.

**Computer science:** 1% of all Bachelor's Degrees awarded in Computer and Information Sciences.

# UNIVERSITY OF MARYLAND, BALTIMORE COUNTY

1000 HILLTOP CIRCLE, BALTIMORE, MD 21250

PHONE: 410-455-2291 • E-MAIL: ADMISSIONS@UMBC.EDU

WEBSITE: WWW.UMBC.EDU

## Student Body

**Enrollment:** 10,838. **Student Body:** Asian 20%, African American 16%, Caucasian 47%, Hispanic 5%, International 4%, Native American <1%.

## Admissions

**Average high school GPA:** 3.71. 29% in top 10% of high school class, 56% in top 25% of high school class, 85% in top 50% of high school class. ACT middle 50% range 24–29. SAT Math middle 50% range 580–670. SAT Critical Reading middle 50% range 550–650. SAT Writing middle 50% range 530–640. Minimum paper TOEFL 460, minimum web-based TOEFL 48.

## Costs and Financial Aid

**Annual in-state tuition:** \$9,764. **Annual out-of-state tuition:** \$20,825.

**Room & board:** \$10,866. **Average book expense:** \$1,200. 72% first-year, 72% undergrads receive need-based scholarship or grant aid. 75% first-year, 69% undergrads receive need-based self-help aid. 70% first-year, 64% undergrads receive any aid. 59% of first-year need met, 56% of undergrad need met. 53% undergrads borrow to pay for school. **Average cumulative indebtedness:** \$18,643.

**Number of students in Engineering program:** 1,235

**Engineering majors:** engineering; chemical; computer; electrical; mechanical; biochemical

7.2% of all Bachelor's Degrees awarded in Engineering.

**Computer science:** 13% of all Bachelor's Degrees awarded in Computer and Information Sciences

# UNIVERSITY OF MARYLAND, COLLEGE PARK

MITCHELL BUILDING, COLLEGE PARK, MD 20742-5235

PHONE: 301-314-8385 • E-MAIL: UM-ADMIT@UGA.UMD.EDU

WEBSITE: HTTP://WWW.UMD.EDU

## Student Body

**Enrollment:** 26,532. **Student Body:** Asian 16%, African American 13%, Caucasian 53%, Hispanic 9%, International 3%, Native American <1%.

## Admissions

**Average high school GPA:** 4.15. 71% in top 10% of high school class, 88% in top 25% of high school class, 98% in top 50% of high school class. SAT Math middle 50% range 620–730. SAT Critical Reading middle 50% range 590–690. Minimum web-based TOEFL 100.

## Costs and Financial Aid

**Annual in-state tuition:** \$7,612. **Annual out-of-state tuition:** \$27,905.

**Room & board:** \$10,633. **Required fees:** \$1,815. **Average book expense:** \$1,130. 84% first-year, 84% undergrads receive need-based scholarship or grant aid. 83% first-year, 92% undergrads receive need-based self-help aid. 86% first-year, 71% undergrads receive any aid. 76% of first-year need met, 75% of undergrad need met. 45% undergrads borrow to pay for school. **Average cumulative indebtedness:** \$19,894.

**Number of students in Engineering program:** 3,971

**Engineering majors:** aerospace, aeronautical and astronautical/space; agricultural; chemical; civil; computer; electrical; materials; mechanical  
12% of all Bachelor's Degrees awarded in Engineering.

**Computer science:** 4% of all Bachelor's Degrees awarded in Computer and Information Sciences.



# UNIVERSITY OF MASSACHUSETTS AMHERST

UNIVERSITY ADMISSIONS CENTER, AMHERST, MA 01003-9291

PHONE: 413-545-0222 • E-MAIL: MAIL@ADMISSIONS.UMASS.EDU

WEBSITE: WWW.UMASS.EDU

## Student Body

**Enrollment:** 21,864. **Student Body:** Asian 8%, African American 4%, Caucasian 68%, Hispanic 5%, International 3%, Native American <1%.

## Admissions

**Average high school GPA:** 3.78. 33% in top 10% of high school class, 72% in top 25% of high school class, 98% in top 50% of high school class. ACT middle 50% range 24–30. SAT Math middle 50% range 570–670. SAT Critical Reading middle 50% range 550–640. Minimum web-based TOEFL, 80.

## Costs and Financial Aid

**Annual in-state tuition:** \$13,443. **Annual out-of-state tuition:** \$28,998. **Room & board:** \$11,457. **Average book expense:** \$1,000. 89% first-year, 89% undergrads receive need-based scholarship or grant aid. 85% first-year, 82% undergrads receive need-based self-help aid. 89% first-year, 84% undergrads receive any aid. 80% of first-year need met, 81% of undergrad need met. 72% undergrads borrow to pay for school. **Average cumulative indebtedness:** \$23,848. **Number of students in Engineering program:** 1,857. **Engineering majors:** chemical; civil; computer; electrical; mechanical; industrial. 6.4% of all Bachelor's Degrees awarded in Engineering. **Computer science:** 2% of all Bachelor's Degrees awarded in Computer and Information Sciences.

# UNIVERSITY OF MASSACHUSETTS BOSTON

100 MORRISSEY BOULEVARD, BOSTON, MA 02125-3393

PHONE: 617-287-6000 • E-MAIL: ENROLLMENT.INFO@UMB.EDU

WEBSITE: WWW.UMB.EDU

## Student Body

**Enrollment:** 12,108. **Student Body:** Asian 12%, African American 16%, Caucasian 39%, Hispanic 13%, International 12%, Native American <1%.

## Admissions

**Average high school GPA:** 3.19. SAT Math middle 50% range 490–580. SAT Critical Reading middle 50% range 460–570. Minimum web-based TOEFL 79.

## Costs and Financial Aid

**Annual in-state tuition:** \$1,714. **Annual out-of-state tuition:** \$9,758. **Required fees:** \$10,252. 93% first-year, 93% undergrads receive need-based scholarship or grant aid. 91% first-year, 96% undergrads receive need-based self-help aid. 88% of first-year need met, 90% of undergrad need met. 68% undergrads borrow to pay for school. **Average cumulative indebtedness:** \$24,352. **Number of students in Engineering program:** 83. **Engineering majors:** computer; electrical; physics. **Computer science:** 3% of all Bachelor's Degrees awarded in Computer and Information Sciences.

# UNIVERSITY OF MASSACHUSETTS DARTMOUTH

285 OLD WESTPORT ROAD, N DARTMOUTH, MA 02747-2300

PHONE: 508-999-8605 • E-MAIL: ADMISSIONS@UMASSD.EDU

WEBSITE: HTTP://WWW.UMASSD.EDU/

## Student Body

**Enrollment:** 7,185. **Student Body:** Asian 3%, African American 13%, Caucasian 66%, Hispanic 8%, International 1%, Native American <1%.

## Admissions

**Average high school GPA:** 3.15. 88% from public high schools. ACT middle 50% range 19–25. SAT Math middle 50% range 470–570. SAT Critical Reading middle 50% range 450–560. SAT Writing middle 50% range 440–540. Minimum paper TOEFL 520, minimum web-based TOEFL 68.

## Costs and Financial Aid

77% first-year, 73% undergrads receive any aid. **Number of students in Engineering program:** 973

**Engineering majors:** engineering; bioengineering and biomedical; civil; computer; computer software; electrical; mechanical; textile sciences. 9.8% of all Bachelor's Degrees awarded in Engineering. **Computer science:** 2% of all Bachelor's Degrees awarded in Computer and Information Sciences.

# UNIVERSITY OF MASSACHUSETTS LOWELL

UNIVERSITY CROSSING SUITE 420, LOWELL, MA 01854-5104

PHONE: 978-934-3931 • E-MAIL: ADMISSIONS@UML.EDU

WEBSITE: WWW.UML.EDU

## Student Body

**Enrollment:** 12,196. **Student Body:** Asian 8%, African American 6%, Caucasian 66%, Hispanic 9%, International 2%, Native American <1%.

## Admissions

**Average high school GPA:** 3.43. 23% in top 10% of high school class, 52% in top 25% of high school class, 83% in top 50% of high school class. 87% from public high schools. ACT middle 50% range 22–28. SAT Math middle 50% range 540–640. SAT Critical Reading middle 50% range 510–600. SAT Writing middle 50% range 490–590. Minimum paper TOEFL 550, minimum web-based TOEFL 213.

## Costs and Financial Aid

93% first-year, 93% undergrads receive need-based scholarship or grant aid. 88% first-year, 94% undergrads receive need-based self-help aid. 72% first-year, 72% undergrads receive any aid. 91% of first-year need met, 90% of undergrad need met. 81% undergrads borrow to pay for school. **Average cumulative indebtedness:** \$26,185. **Number of students in Engineering program:** 1,698. **Engineering majors:** chemical; civil; computer; electrical; mechanical; polymer/plastics. 14.9% of all Bachelor's Degrees awarded in Engineering. **Computer science:** 10% of all Bachelor's Degrees awarded in Computer and Information Sciences.

# THE UNIVERSITY OF MEMPHIS

101 WILDER TOWER, MEMPHIS, TN 38152

PHONE: 901-678-2111 • E-MAIL: RECRUITMENT@MEMPHIS.EDU

WEBSITE: WWW.MEMPHIS.EDU

## Student Body

**Enrollment:** 16,741. **Student Body:** Asian 3%, African American 40%, Caucasian 49%, Hispanic 3%, International 1%, Native American <1%.

## Admissions

**Average high school GPA:** 3.33. 1% in top 10% of high school class, 42% in top 25% of high school class, 79% in top 50% of high school class. ACT middle 50% range 20–25. SAT Math middle 50% range 440–590. SAT Critical Reading middle 50% range 440–570. SAT Writing middle 50% range 410–560. Minimum paper TOEFL 550.

## Costs and Financial Aid

67% first-year, 67% undergrads receive need-based scholarship or grant aid. 71% first-year, 72% undergrads receive need-based self-help aid. 95% first-year, 91% undergrads receive any aid. 84% of first-year need met, 76% of undergrad need met. 46% undergrads borrow to pay for school. **Average cumulative indebtedness:** \$26,413. **Number of students in Engineering program:** 553. **Engineering majors:** bioengineering and biomedical; civil; computer; electrical; mechanical. 2.9% of all Bachelor's Degrees awarded in Engineering. **Computer science:** 1% of all Bachelor's Degrees awarded in Computer and Information Sciences.

# UNIVERSITY OF MIAMI

P.O. BOX 248025, CORAL GABLES, FL 33124-4616

PHONE: 305-284-4323 • E-MAIL: ADMISSION@MIAMI.EDU

WEBSITE: WWW.MIAMI.EDU

## Student Body

**Enrollment:** 10,917. **Student Body:** Asian 6%, African American 7%, Caucasian 43%, Hispanic 21%, International 14%, Native American <1%.

### Admissions

**Average high school GPA:** 4.30. 66% in top 10% of high school class, 87% in top 25% of high school class, 95% in top 50% of high school class. 68% from public high schools. ACT middle 50% range 28–32. SAT Math middle 50% range 620–730. SAT Critical Reading middle 50% range 600–690. SAT Writing middle 50% range 590–690. Minimum paper TOEFL 550, minimum web-based TOEFL 80.

### Costs and Financial Aid

98% first-year, 98% undergrads receive need-based scholarship or grant aid. 94% first-year, 76% undergrads receive need-based self-help aid. 78% first-year, 73% undergrads receive any aid. 78% of first-year need met, 75% of undergrad need met. 43% undergrads borrow to pay for school. **Average cumulative indebtedness:** \$26,586.

**Number of students in Engineering program:** 973

**Engineering majors:** engineering; aerospace, aeronautical and astronautical/space; architectural; bioengineering and biomedical; civil; computer; computer software; electrical; science; environmental; mechanical; industrial  
7% of all Bachelor's Degrees awarded in Engineering.

**Computer science:** 1% of all Bachelor's Degrees awarded in Computer and Information Sciences.

## UNIVERSITY OF MICHIGAN—ANN ARBOR

515 E. JEFFERSON ST., ANN ARBOR, MI 48109-1316

PHONE: 734-764-7433

WEBSITE: UMICH.EDU

### Student Body

**Enrollment:** 28,217. **Student Body:** Asian 13%, African American 4%, Caucasian 62%, Hispanic 4%, International 7%, Native American <1%.

### Admissions

**Average high school GPA:** 3.81. ACT middle 50% range 29–33. SAT Math middle 50% range 660–760. SAT Critical Reading middle 50% range 620–720. SAT Writing middle 50% range 640–730. Minimum paper TOEFL 570, minimum web-based TOEFL 88.

### Costs and Financial Aid

75% first-year, 75% undergrads receive need-based scholarship or grant aid. 78% first-year, 86% undergrads receive need-based self-help aid. 90% first-year, 81% undergrads receive any aid. 85% of first-year need met, 82% of undergrad need met. 45% undergrads borrow to pay for school. **Average cumulative indebtedness:** \$21,744.

**Number of students in Engineering program:** 5,997

**Engineering majors:** engineering; aerospace, aeronautical and astronautical/space; bioengineering and biomedical; chemical; civil; computer; electrical; physics; science; environmental; materials; mechanical; naval architecture and marine; nuclear; industrial; geological/geophysical

16% of all Bachelor's Degrees awarded in Engineering.

## UNIVERSITY OF MICHIGAN—DEARBORN

4901 EVERGREEN ROAD, DEARBORN, MI 48128-1491

PHONE: 313-593-5100 • E-MAIL: ADMISSIONS@UMD.UMICH.EDU

WEBSITE: UMDEARBORN.EDU

### Student Body

**Enrollment:** 6,906. **Student Body:** Asian 6%, African American 10%, Caucasian 70%, Hispanic 6%, International 1%, Native American <1%.

### Admissions

28% in top 10% of high school class, 58% in top 25% of high school class, 90% in top 50% of high school class. Minimum paper TOEFL 550, minimum web-based TOEFL 80.

### Costs and Financial Aid

73% first-year, 73% undergrads receive need-based scholarship or grant aid. 74% first-year, 86% undergrads receive need-based self-help aid. 90% first-year, 81% undergrads receive any aid. 62% of first-year need met, 55% of undergrad need met. 58% undergrads borrow to pay for school. **Average cumulative indebtedness:** \$21,167.

**Number of students in Engineering program:** 1,459

**Engineering majors:** Computer; mechanical; industrial; manufacturing; mechanical  
11.9% of all Bachelor's Degrees awarded in Engineering.

**Computer science:** 4% of all Bachelor's Degrees awarded in Computer and Information Sciences.

## UNIVERSITY OF MINNESOTA—DULUTH

25 SOLOIN CAMPUS CENTER, DULUTH, MN 55812-3000

PHONE: 218-726-7171 • E-MAIL: UMDADMIS@D.UMN.EDU

WEBSITE: WWW.D.UMN.EDU

### Student Body

**Enrollment:** 9,422. **Student Body:** Asian 3%, African American 1%, Caucasian 90%, Hispanic 1%, International 1%, Native American 1%.

### Admissions

16% in top 10% of high school class, 42% in top 25% of high school class, 85% in top 50% of high school class. 94% from public high schools. ACT middle 50% range 20–26. SAT Math middle 50% range 480–620. SAT Critical Reading middle 50% range 480–590. SAT Writing middle 50% range 460–580. Minimum paper TOEFL 550, minimum web-based TOEFL 80.

### Costs and Financial Aid

**Annual in-state tuition:** \$8,230. **Annual out-of-state tuition:** \$10,230.

**Room & board:** \$6,078. **Required fees:** \$2,030. **Average book expense:** \$1,248.

100% first-year, 100% undergrads receive need-based scholarship or grant aid. 97% first-year, 87% undergrads receive need-based self-help aid. 85% first-year, 81% undergrads receive any aid. 81% of first-year need met, 78% of undergrad need met. 72% undergrads borrow to pay for school. **Average cumulative indebtedness:** \$16,851.

**Engineering majors:** industrial; mechanical; electrical; computer; civil; chemical

19% of all Bachelor's Degrees awarded in Engineering.

**Computer science:** 6% of all Bachelor's Degrees awarded in Computer and Information Sciences.

## UNIVERSITY OF MINNESOTA—TWIN CITIES CAMPUS

240 WILLIAMSON HALL, MINNEAPOLIS, MN 55455-0213

PHONE: 612-625-2008

WEBSITE: WWW.UMN.EDU

### Student Body

**Enrollment:** 30,135. **Student Body:** Asian 9%, African American 4%, Caucasian 70%, Hispanic 3%, International 9%, Native American <1%.

### Admissions

47% in top 10% of high school class, 86% in top 25% of high school class, 99% in top 50% of high school class. ACT middle 50% range 26–30. SAT Math middle 50% range 620–750. SAT Critical Reading middle 50% range 560–690. SAT Writing middle 50% range 570–680. Minimum paper TOEFL 550.

### Costs and Financial Aid

85% first-year, 85% undergrads receive need-based scholarship or grant aid.

85% first-year, 80% undergrads receive need-based self-help aid.

77% of first-year need met, 72% of undergrad need met. 61% undergrads borrow to pay for school. **Average cumulative indebtedness:** \$21,600.

**Engineering majors:** engineering; aerospace, aeronautical and astronautical/space; agricultural; chemical; civil; computer; electrical; materials; mechanical; metallurgical; mining and mineral; naval architecture and marine; industrial; geological/geophysical

10.7% of all Bachelor's Degrees awarded in Engineering.

**Computer science:** 4% of all Bachelor's Degrees awarded in Computer and Information Sciences.

## UNIVERSITY OF MISSISSIPPI

145 MARTINDALE, UNIVERSITY, MS 38677

PHONE: 662-915-7226 • E-MAIL: ADMISSIONS@OLEMISS.EDU

WEBSITE: WWW.OLEMISS.EDU

### Student Body

**Enrollment:** 17,809. **Student Body:** Asian 2%, African American 15%, Caucasian 77%, Hispanic 3%, International 1%, Native American <1%.

### Admissions

**Average high school GPA:** 3.49. 22% in top 10% of high school class, 47% in top 25% of high school class, 75% in top 50% of high school class. ACT middle 50% range 21–27. SAT Math middle 50% range 490–590. SAT Critical Reading middle 50% range 480–590. Minimum paper TOEFL 550.

### Costs and Financial Aid

**Annual in-state tuition:** \$6,996. **Annual out-of-state tuition:** \$19,044.  
**Room & board:** \$9,908. **Required fees:** \$100. **Average book expense:** \$1,200. 89% first-year, 89% undergrads receive need-based scholarship or grant aid. 84% first-year, 76% undergrads receive need-based self-help aid. 83% first-year, 78% undergrads receive any aid. 74% of first-year need met, 72% of undergrad need met. 49% undergrads borrow to pay for school. **Average cumulative indebtedness:** \$24,160.  
**Number of students in Engineering program:** 1,285  
**Engineering majors:** engineering; chemical; civil; electrical; mechanical; geological/geophysical  
4% of all Bachelor's Degrees awarded in Engineering.

## UNIVERSITY OF MISSOURI

230 JESSE HALL, COLUMBIA, MO 65211

PHONE: 573-882-7786 • E-MAIL: MU4U@MISSOURI.EDU

WEBSITE: WWW.MISSOURI.EDU

### Student Body

**Enrollment:** 27,276. **Student Body:** Asian 2%, African American 8%, Caucasian 79%, Hispanic 3%, International 3%, Native American <1%.

### Admissions

27% in top 10% of high school class, 87% in top 50% of high school class. ACT middle 50% range 23–28. SAT Math middle 50% range 530–660. SAT Critical Reading middle 50% range 520–650. Minimum paper TOEFL 500, minimum web-based TOEFL 61.

### Costs and Financial Aid

**Annual in-state tuition:** \$8,220. **Annual out-of-state tuition:** \$23,247.  
**Room & board:** \$9,386. **Required fees:** \$1,213. **Average book expense:** \$1,114. 84% first-year, 84% undergrads receive need-based scholarship or grant aid. 81% first-year, 76% undergrads receive need-based self-help aid. 80% of first-year need met, 78% of undergrad need met. 55% undergrads borrow to pay for school. **Average cumulative indebtedness:** \$22,167.  
**Number of students in Engineering program:** 2,935  
**Engineering majors:** engineering; agricultural; chemical; civil; computer; electrical; mechanical; nuclear; industrial  
7% of all Bachelor's Degrees awarded in Engineering.  
**Computer science:** 2% of all Bachelor's Degrees awarded in Computer and Information Sciences.

## UNIVERSITY OF MISSOURI—KANSAS CITY

5100 ROCKHILL ROAD, KANSAS CITY, MO 64114

PHONE: 816-235-1111 • E-MAIL: ADMIT@UMKC.EDU

WEBSITE: WWW.UMKC.EDU

### Student Body

**Enrollment:** 8,127. **Student Body:** Asian 6%, African American 16%, Caucasian 57%, Hispanic 7%, International 4%, Native American <1%.

### Admissions

**Average high school GPA:** 3.32. 29% in top 10% of high school class, 57% in top 25% of high school class, 84% in top 50% of high school class. ACT middle 50% range 27–27. SAT Math middle 50% range 500–680. SAT Critical Reading middle 50% range 480–680. Minimum paper TOEFL 500, minimum web-based TOEFL 61.

### Costs and Financial Aid

92% first-year, 92% undergrads receive need-based scholarship or grant aid. 83% first-year, 74% undergrads receive need-based self-help aid. 94% first-year, 67% undergrads receive any aid. 60% of first-year need met, 53% of undergrad need met. 58% undergrads borrow to pay for school. **Average cumulative indebtedness:** \$25,029.  
**Number of students in Engineering program:** 783  
**Engineering majors:** civil; electrical; mechanical  
4.8% of all Bachelor's Degrees awarded in Engineering.  
**Computer science:** 2% of all Bachelor's Degrees awarded in Computer and Information Sciences.

## UNIVERSITY OF MISSOURI—ST. LOUIS

351 MILLENIUM STUDENT CENTER, ST. LOUIS, MO 63121-4400

PHONE: 314-516-5451 • E-MAIL: ADMISSIONS@UMSL.EDU

WEBSITE: WWW.UMSL.EDU

### Student Body

**Enrollment:** 8,936. **Student Body:** Asian 5%, African American 19%, Caucasian 62%, Hispanic 3%, International 3%, Native American <1%.

### Admissions

**Average high school GPA:** 3.45. 29% in top 10% of high school class, 59% in top 25% of high school class, 86% in top 50% of high school class. 80% from public high schools. ACT middle 50% range 21–27. SAT Math middle 50% range 490–660. SAT Critical Reading middle 50% range 440–550. SAT Writing middle 50% range 430–520. Minimum paper TOEFL 500.

### Costs and Financial Aid

96% first-year, 96% undergrads receive need-based scholarship or grant aid. 86% first-year, 84% undergrads receive need-based self-help aid. 90% first-year, 77% undergrads receive any aid. 73% of first-year need met, 61% of undergrad need met. 66% undergrads borrow to pay for school. **Average cumulative indebtedness:** \$24,069.  
**Number of students in Engineering program:** 277  
**Engineering majors:** civil; electrical; mechanical  
3% of all Bachelor's Degrees awarded in Engineering.  
**Computer science:** 1% of all Bachelor's Degrees awarded in Computer and Information Sciences.

## THE UNIVERSITY OF MONTANA

LOMMASSON CENTER 103, MISSOULA, MT 59812

PHONE: 406-243-6266 • E-MAIL: ADMISSIONS@UMONTANA.EDU

WEBSITE: WWW.UMONTANA.EDU

### Student Body

**Enrollment:** 12,071. **Student Body:** Asian 1%, African American 1%, Caucasian 79%, Hispanic 4%, International 2%, Native American 3%.

### Admissions

**Average high school GPA:** 3.30. 18% in top 10% of high school class, 40% in top 25% of high school class, 70% in top 50% of high school class. ACT middle 50% range 21–26. SAT Math middle 50% range 480–590. SAT Critical Reading middle 50% range 490–620. SAT Writing middle 50% range 470–590. Minimum paper TOEFL 500.

### Costs and Financial Aid

**Annual in-state tuition:** \$4,373. **Annual out-of-state tuition:** \$20,646.  
**Room & board:** \$8,006. **Required fees:** \$1,726. **Average book expense:** \$950. 100% first-year, 100% undergrads receive need-based scholarship or grant aid. 71% first-year, 99% undergrads receive need-based self-help aid. 62% first-year, 59% undergrads receive any aid. 61% of first-year need met, 52% of undergrad need met. 62% undergrads borrow to pay for school. **Average cumulative indebtedness:** \$30,135.  
**Number of students in Engineering program:** 28  
**Computer science:** 1% of all Bachelor's Degrees awarded in Computer and Information Sciences.

## UNIVERSITY OF NEBRASKA AT OMAHA

OFFICE OF ADMISSIONS, OMAHA, NE 68182

PHONE: 402-554-2393 • E-MAIL: UNO.ADMISSIONS@UNOMAHA.EDU

WEBSITE: WWW.UNOMAHA.EDU

### Student Body

**Enrollment:** 12,153. **Student Body:** Asian 3%, African American 7%, Caucasian 72%, Hispanic 9%, International 3%, Native American <1%.

### Admissions

**Average high school GPA:** 3.40. 15% in top 10% of high school class, 40% in top 25% of high school class, 75% in top 50% of high school class. 90% from public high schools. ACT middle 50% range 20–26. Minimum paper TOEFL 500, minimum web-based TOEFL 61.

### Costs and Financial Aid

**Annual in-state tuition:** \$5,180. **Annual out-of-state tuition:** \$15,520.  
**Room & board:** \$8,090. **Required fees:** \$1,370. **Average book expense:** \$1,000. 60% first-year, 60% undergrads receive need-based scholarship or grant

aid. 64% first-year, 65% undergrads receive need-based self-help aid. 80% first-year, 81% undergrads receive any aid. 61% of first-year need met, 67% of undergrad need met. 64% undergrads borrow to pay for school. **Average cumulative indebtedness:** \$25,674.

**Number of students in Engineering program:** 779

**Computer science:** 4% of all Bachelor's Degrees awarded in Computer and Information Sciences.

## UNIVERSITY OF NEBRASKA—LINCOLN

1410 Q STREET, LINCOLN, NE 68588-0417

PHONE: 402-472-2023 • E-MAIL: ADMISSIONS@UNL.EDU

WEBSITE: HTTP://WWW.UNL.EDU

### Student Body

**Enrollment:** 19,376. **Student Body:** Asian 2%, African American 2%, Caucasian 80%, Hispanic 5%, International 6%, Native American <1%.

### Admissions

26% in top 10% of high school class, 52% in top 25% of high school class, 83% in top 50% of high school class. ACT middle 50% range 22–28. SAT Math middle 50% range 520–670. SAT Critical Reading middle 50% range 490–660. Minimum web-based TOEFL 70.

### Costs and Financial Aid

**Annual in-state tuition:** \$6,480. **Annual out-of-state tuition:** \$20,400.

**Room & board:** \$9,961. **Required fees:** \$1,590. **Average book expense:** \$1,050. 80% first-year, 80% undergrads receive need-based scholarship or grant aid. 76% first-year, 73% undergrads receive need-based self-help aid. 86% first-year, 70% undergrads receive any aid. 83% of first-year need met, 80% of undergrad need met. 59% undergrads borrow to pay for school. **Average cumulative indebtedness:** \$22,132.

**Number of students in Engineering program:** 3,133

**Engineering majors:** engineering; agricultural; architectural; chemical; civil; computer; electrical; mechanical; construction; biological/biosystems  
10% of all Bachelor's Degrees awarded in Engineering.

**Computer science:** 1% of all Bachelor's Degrees awarded in Computer and Information Sciences.

## UNIVERSITY OF NEVADA—LAS VEGAS

4505 MARYLAND PARKWAY, LAS VEGAS, NV 89154-1021

PHONE: 702-774-8658 • E-MAIL: UNDERGRADUATE.RECRUITMENT@CCMAIL.NEVADA.EDU

WEBSITE: WWW.UNLV.EDU

### Student Body

**Enrollment:** 20,607. **Student Body:** Asian 14%, African American 8%, Caucasian 53%, Hispanic 11%, International 4%, Native American 1%.

### Admissions

**Average high school GPA:** 3.34. 18% in top 10% of high school class, 47% in top 25% of high school class, 82% in top 50% of high school class. ACT middle 50% range 18–24. SAT Math middle 50% range 450–580. SAT Critical Reading middle 50% range 440–560. Minimum paper TOEFL 500.

### Costs and Financial Aid

42% first-year, 42% undergrads receive need-based scholarship or grant aid. 57% first-year, 47% undergrads receive need-based self-help aid. 65% of first-year need met, 72% of undergrad need met. 39% undergrads borrow to pay for school.

**Number of students in Engineering program:** 907

**Engineering majors:** civil; transportation and highway; computer; electrical; mechanical; construction  
2.6% of all Bachelor's Degrees awarded in Engineering.

**Computer science:** 2% of all Bachelor's Degrees awarded in Computer and Information Sciences.

## UNIVERSITY OF NEVADA—RENO

MAIL STOP 120, RENO, NV 89557

PHONE: 775-784-4700 • E-MAIL: ASKNEVADA@UNR.EDU

WEBSITE: WWW.UNR.EDU

### Student Body

**Enrollment:** 11,605. **Student Body:** Asian 7%, African American 2%, Caucasian 73%, Hispanic 7%, International 3%, Native American 1%.

### Admissions

**Average high school GPA:** 3.36. ACT middle 50% range 20–25. SAT Math middle 50% range 480–600. SAT Critical Reading middle 50% range 470–590.

### Costs and Financial Aid

44% first-year, 44% undergrads receive need-based scholarship or grant aid. 53% first-year, 63% undergrads receive need-based self-help aid. 61% of first-year need met, 61% of undergrad need met. 44% undergrads borrow to pay for school.

9% of all Bachelor's Degrees awarded in Engineering.

**Computer science:** 5% of all Bachelor's Degrees awarded in Computer and Information Sciences.

## UNIVERSITY OF NEW HAMPSHIRE

UNH OFFICE OF ADMISSIONS, DURHAM, NH 03824

PHONE: 603-862-1360 • E-MAIL: ADMISSIONS@UNH.EDU

WEBSITE: WWW.UNH.EDU

### Student Body

**Enrollment:** 12,591. **Student Body:** Asian 2%, African American 1%, Caucasian 81%, Hispanic 3%, International 2%, Native American <1%.

### Admissions

17% in top 10% of high school class, 48% in top 25% of high school class, 87% in top 50% of high school class. 81% from public high schools. ACT middle 50% range 22–27. SAT Math middle 50% range 510–610. SAT Critical Reading middle 50% range 490–590. SAT Writing middle 50% range 500–600. Minimum paper TOEFL 550, minimum web-based TOEFL 80.

### Costs and Financial Aid

**Annual in-state tuition:** \$13,670. **Annual out-of-state tuition:** \$26,650.

**Room & board:** \$10,360. **Required fees:** \$2,882. **Average book expense:** \$1,200. 75% first-year, 75% undergrads receive need-based scholarship or grant aid. 69% first-year, 95% undergrads receive need-based self-help aid. 85% first-year, 81% undergrads receive any aid. 79% of first-year need met, 77% of undergrad need met. 79% undergrads borrow to pay for school. **Average cumulative indebtedness:** \$26,714.

**Number of students in Engineering program:** 1,130

**Engineering majors:** bioengineering and biomedical; chemical; computer; electrical; environmental; mechanical  
8.8% of all Bachelor's Degrees awarded in Engineering.

## UNIVERSITY OF NEW HAVEN

300 BOSTON POST ROAD, WEST HAVEN, CT 06516

PHONE: 203-932-7319 • E-MAIL: ADMISSION@NEWHAVEN.EDU

WEBSITE: WWW.NEWHAVEN.EDU

### Student Body

**Enrollment:** 4,974. **Student Body:** Asian 2%, African American 9%, Caucasian 59%, Hispanic 10%, International 8%, Native American <1%.

### Admissions

**Average high school GPA:** 3.40. 17% in top 10% of high school class, 50% in top 25% of high school class, 82% in top 50% of high school class. ACT middle 50% range 21–26. SAT Math middle 50% range 480–590. SAT Critical Reading middle 50% range 470–570. SAT Writing middle 50% range 470–570. Minimum web-based TOEFL 80.

### Costs and Financial Aid

100% first-year, 100% undergrads receive need-based scholarship or grant aid. 100% first-year, 82% undergrads receive need-based self-help aid. 62% of first-year need met, 61% of undergrad need met. 84% undergrads borrow to pay for school. **Average cumulative indebtedness:** \$26,700.

**Number of students in Engineering program:** 528

**Engineering majors:** engineering; chemical; civil; computer; electrical; mechanical; systems; industrial  
6.1% of all Bachelor's Degrees awarded in Engineering.

# UNIVERSITY OF NEW MEXICO

OFFICE OF ADMISSIONS, ALBUQUERQUE, NM 87196-4895

PHONE: 505-277-2446 • E-MAIL: APPLY@UNM.EDU

WEBSITE: WWW.UNM.EDU

## Admissions

**Average high school GPA:** 3.29. ACT middle 50% range 19–25. SAT Math middle 50% range 470–590. SAT Critical Reading middle 50% range 470–600. Minimum paper TOEFL 520, minimum web-based TOEFL 68.

## Costs and Financial Aid

**Average book expense:** \$958.

**Engineering majors:** chemical; civil; computer; electrical; science; mechanical; nuclear

5.1% of all Bachelor's Degrees awarded in Engineering.

**Computer science:** 1% of all Bachelor's Degrees awarded in Computer and Information Sciences.

# UNIVERSITY OF NEW ORLEANS

UNIVERSITY OF NEW ORLEANS PEC, NEW ORLEANS, LA 70148

PHONE: 504-280-6595 • E-MAIL: PECUNO.EDU

WEBSITE: WWW.UNO.EDU

## Student Body

**Enrollment:** 6,742. **Student Body:** Asian 8%, African American 16%, Caucasian 55%, Hispanic 10%, International 4%, Native American <1%.

## Admissions

**Average high school GPA:** 3.25. 16% in top 10% of high school class, 39% in top 25% of high school class, 67% in top 50% of high school class. 63% from public high schools. ACT middle 50% range 21–25. SAT Math middle 50% range 500–670. SAT Critical Reading middle 50% range 500–630. Minimum paper TOEFL 550, minimum web-based TOEFL 213.

## Costs and Financial Aid

76% first-year, 76% undergrads receive need-based scholarship or grant aid. 67% first-year, 44% undergrads receive need-based self-help aid. 68% first-year, 64% undergrads receive any aid. 66% of first-year need met, 57% of undergrad need met. 53% undergrads borrow to pay for school. **Average cumulative indebtedness:** \$18,111.

**Number of students in Engineering program:** 864

**Engineering majors:** civil; electrical; mechanical; naval architecture and marine

9.9% of all Bachelor's Degrees awarded in Engineering.

**Computer science:** 1% of all Bachelor's Degrees awarded in Computer and Information Sciences.

# UNIVERSITY OF NORTH ALABAMA

UNA Box 5011, FLORENCE, AL 35632-0001

PHONE: 256-765-4318 • E-MAIL: ADMISSIONS@UNA.EDU

WEBSITE: HTTP://WWW.UNA.EDU/

## Student Body

**Enrollment:** 5,235. **Student Body:** Asian 1%, African American 10%, Caucasian 70%, Hispanic 1%, International 9%, Native American 1%.

## Admissions

**Average high school GPA:** 2.97. 44% in top 25% of high school class, 76% in top 50% of high school class. 99% from public high schools. ACT middle 50% range 18–24. Minimum paper TOEFL 500.

## Costs and Financial Aid

**Annual out-of-state tuition:** \$7,536. **Room & board:** \$4,372. **Required fees:** \$883. **Average book expense:** \$830. 63% first-year, 63% undergrads receive need-based scholarship or grant aid. 61% first-year, 73% undergrads receive need-based self-help aid. 57% of first-year need met, 68% of undergrad need met. 47% undergrads borrow to pay for school.

**Computer science:** 5% of all Bachelor's Degrees awarded in Computer and Information Sciences.

# THE UNIVERSITY OF NORTH CAROLINA AT ASHEVILLE

CPO #1320, ASHEVILLE, NC 28804-8502

PHONE: 828-251-6481 • E-MAIL: ADMISSIONS@UNCA.EDU

WEBSITE: WWW.UNCA.EDU

## Student Body

**Enrollment:** 3,323. **Student Body:** Asian 1%, African American 3%, Caucasian 83%, Hispanic 4%, International 0%, Native American <1%.

## Admissions

**Average high school GPA:** 3.98. 22% in top 10% of high school class, 54% in top 25% of high school class, 90% in top 50% of high school class. 87% from public high schools. ACT middle 50% range 24–27. SAT Math middle 50% range 540–630. SAT Critical Reading middle 50% range 560–660. SAT Writing middle 50% range 530–630. Minimum paper TOEFL 550, minimum web-based TOEFL 79.

## Costs and Financial Aid

**Annual in-state tuition:** \$3,817. **Annual out-of-state tuition:** \$18,688.

**Room & board:** \$8,332. **Required fees:** \$2,575. **Average book expense:** \$1,200. 96% first-year, 96% undergrads receive need-based scholarship or grant aid. 90% first-year, 73% undergrads receive need-based self-help aid. 71% first-year, 72% undergrads receive any aid. 76% of first-year need met, 77% of undergrad need met. 58% undergrads borrow to pay for school. **Average cumulative indebtedness:** \$17,554.

**Number of students in Engineering program:** 49

**Engineering majors:** engineering

0.9% of all Bachelor's Degrees awarded in Engineering.

**Computer science:** 7% of all Bachelor's Degrees awarded in Computer and Information Sciences.

# THE UNIVERSITY OF NORTH CAROLINA AT CHARLOTTE

9201 UNIVERSITY CITY BOULEVARD, CHARLOTTE, NC 28223-0001

PHONE: 704-687-5507 • E-MAIL: ADMISSIONS@UNCC.EDU

WEBSITE: WWW.UNCC.EDU/

## Student Body

**Enrollment:** 22,120. **Student Body:** Asian 5%, African American 17%, Caucasian 60%, Hispanic 8%, International 2%, Native American <1%.

## Admissions

**Average high school GPA:** 3.86. 23% in top 10% of high school class, 56% in top 25% of high school class, 88% in top 50% of high school class. ACT middle 50% range 21–25. SAT Math middle 50% range 510–600. SAT Critical Reading middle 50% range 490–570. SAT Writing middle 50% range 480–560. Minimum paper TOEFL 507, minimum web-based TOEFL 64.

## Costs and Financial Aid

**Annual in-state tuition:** \$3,522. **Annual out-of-state tuition:** \$16,693.

**Room & board:** \$4,460. **Required fees:** \$2,755. **Average book expense:** \$1,200. 75% first-year, 75% undergrads receive need-based scholarship or grant aid. 79% first-year, 80% undergrads receive need-based self-help aid. 75% first-year, 72% undergrads receive any aid. 64% of first-year need met, 61% of undergrad need met. 71% undergrads borrow to pay for school. **Average cumulative indebtedness:** \$24,009.

**Number of students in Engineering program:** 2,710

**Engineering majors:** engineering; civil; computer; electrical; mechanical; systems

7.8% of all Bachelor's Degrees awarded in Engineering.

**Computer science:** 5% of all Bachelor's Degrees awarded in Computer and Information Sciences.

# THE UNIVERSITY OF NORTH CAROLINA AT GREENSBORO

1400 SPRING GARDEN STREET, GREENSBORO, NC 27402-6170

PHONE: 336-334-5243 • E-MAIL: ADMISSIONS@UNCG.EDU

WEBSITE: WWW.UNCG.EDU

## Student Body

**Enrollment:** 14,497. **Student Body:** Asian 5%, African American 27%, Caucasian 55%, Hispanic 7%, International 2%, Native American <1%.

### Admissions

**Average high school GPA:** 3.66. 16% in top 10% of high school class, 43% in top 25% of high school class, 82% in top 50% of high school class. 95% from public high schools. ACT middle 50% range 19–24. SAT Math middle 50% range 470–550. SAT Critical Reading middle 50% range 470–550. SAT Writing middle 50% range 440–530. Minimum paper TOEFL 550, minimum web-based TOEFL 79.

### Costs and Financial Aid

**Annual in-state tuition:** \$3,932. **Annual out-of-state tuition:** \$18,794. **Room & board:** \$7,688. **Required fees:** \$2,453. **Average book expense:** \$1,300. 89% first-year, 89% undergrads receive need-based scholarship or grant aid. 81% first-year, 79% undergrads receive need-based self-help aid. 90% first-year, 82% undergrads receive any aid. 69% of first-year need met, 70% of undergrad need met. 88% undergrads borrow to pay for school. **Average cumulative indebtedness:** \$24,408. **Computer science:** 2% of all Bachelor's Degrees awarded in Computer and Information Sciences.

## THE UNIVERSITY OF NORTH CAROLINA AT WILMINGTON

601 SOUTH COLLEGE RD, WILMINGTON, NC 28403-5904  
PHONE: 910-962-3243 • E-MAIL: ADMISSIONS@UNCW.EDU  
WEBSITE: WWW.UNCW.EDU

### Student Body

**Enrollment:** 12,178. **Student Body:** Asian 2%, African American 5%, Caucasian 80%, Hispanic 6%, International 1%, Native American <1%.

### Admissions

**Average high school GPA:** 4.06. 27% in top 10% of high school class, 65% in top 25% of high school class, 96% in top 50% of high school class. ACT middle 50% range 23–27. SAT Math middle 50% range 560–640. SAT Critical Reading middle 50% range 550–630. SAT Writing middle 50% range 530–620. Minimum paper TOEFL 525, minimum web-based TOEFL 71.

### Costs and Financial Aid

**Annual in-state tuition:** \$4,026. **Annual out-of-state tuition:** \$16,163. **Room & board:** \$8,624. **Required fees:** \$2,317. **Average book expense:** \$1,030. 88% first-year, 88% undergrads receive need-based scholarship or grant aid. 87% first-year, 97% undergrads receive need-based self-help aid. 73% first-year, 73% undergrads receive any aid. 59% of first-year need met, 66% of undergrad need met. 57% undergrads borrow to pay for school. **Average cumulative indebtedness:** \$21,901. **Computer science:** 1% of all Bachelor's Degrees awarded in Computer and Information Sciences.

## UNIVERSITY OF NORTH DAKOTA

3501 UNIVERSITY AVENUE STOP 8357, GRAND FORKS, ND 58202  
PHONE: 701-777-3000 • E-MAIL: UND.ADMISSIONS@UND.EDU  
WEBSITE: UND.EDU/ADMISSIONS/UNDERGRADUATE

### Student Body

**Enrollment:** 10,979. **Student Body:** Asian 1%, African American 2%, Caucasian 82%, Hispanic 3%, International 5%, Native American 2%.

### Admissions

**Average high school GPA:** 3.40. 17% in top 10% of high school class, 39% in top 25% of high school class, 36% in top 50% of high school class. 92% from public high schools. ACT middle 50% range 21–26. Minimum paper TOEFL 550, minimum web-based TOEFL 76.

### Costs and Financial Aid

**Annual in-state tuition:** \$6,388. **Annual out-of-state tuition:** \$17,056. **Room & board:** \$6,810. **Required fees:** \$1,353. **Average book expense:** \$1,000. **Number of students in Engineering program:** 1,765. **Engineering majors:** chemical; civil; electrical; environmental; mechanical; petroleum; geological/geophysical. 9% of all Bachelor's Degrees awarded in Engineering. **Computer science:** 1% of all Bachelor's Degrees awarded in Computer and Information Sciences.

## UNIVERSITY OF NORTH FLORIDA

1 UNF DRIVE, JACKSONVILLE, FL 32224-7699  
PHONE: 904-620-5555 • E-MAIL: ADMISSIONS@UNF.EDU  
WEBSITE: WWW.UNF.EDU

### Student Body

**Enrollment:** 14,124. **Student Body:** Asian 4%, African American 10%, Caucasian 71%, Hispanic 9%, International 1%, Native American <1%.

### Admissions

**Average high school GPA:** 3.72. 24% in top 10% of high school class, 56% in top 25% of high school class, 87% in top 50% of high school class. ACT middle 50% range 23–26. SAT Math middle 50% range 540–620. SAT Critical Reading middle 50% range 530–620. Minimum paper TOEFL 500, minimum web-based TOEFL 61.

### Costs and Financial Aid

**Annual in-state tuition:** \$4,281. **Annual out-of-state tuition:** \$17,999. **Room & board:** \$9,165. **Required fees:** \$2,072. **Average book expense:** \$1,200. 56% first-year, 56% undergrads receive need-based scholarship or grant aid. 59% first-year, 54% undergrads receive need-based self-help aid. 93% first-year, 77% undergrads receive any aid. 90% of first-year need met, 89% of undergrad need met. 42% undergrads borrow to pay for school. **Average cumulative indebtedness:** \$16,268. **Number of students in Engineering program:** 620. **Engineering majors:** civil; electrical; mechanical. 4% of all Bachelor's Degrees awarded in Engineering. **Computer science:** 2% of all Bachelor's Degrees awarded in Computer and Information Sciences.

## UNIVERSITY OF NORTH TEXAS

1155 UNION CIRCLE #311277, DENTON, TX 76203-5017  
PHONE: 940-565-2681 • E-MAIL: UNDERGRAD@UNT.EDU  
WEBSITE: WWW.UNT.EDU

### Student Body

**Enrollment:** 29,481. **Student Body:** Asian 6%, African American 13%, Caucasian 53%, Hispanic 20%, International 3%, Native American 1%.

### Admissions

20% in top 10% of high school class, 52% in top 25% of high school class, 90% in top 50% of high school class. 95% from public high schools. ACT middle 50% range 20–26. SAT Math middle 50% range 510–610. SAT Critical Reading middle 50% range 490–600. SAT Writing middle 50% range 460–570. Minimum paper TOEFL 550, minimum web-based TOEFL 79.

### Costs and Financial Aid

**Annual in-state tuition:** \$6,834. **Annual out-of-state tuition:** \$17,364. **Room & board:** \$7,356. **Required fees:** \$2,590. **Average book expense:** \$1,000. 82% first-year, 82% undergrads receive need-based scholarship or grant aid. 74% first-year, 81% undergrads receive need-based self-help aid. 88% first-year, 71% undergrads receive any aid. 74% of first-year need met, 61% of undergrad need met. **Number of students in Engineering program:** 2,487. **Engineering majors:** computer; electrical; physics; materials; mechanical. 1.5% of all Bachelor's Degrees awarded in Engineering. **Computer science:** 1% of all Bachelor's Degrees awarded in Computer and Information Sciences.

## UNIVERSITY OF NOTRE DAME

220 MAIN BUILDING, NOTRE DAME, IN 46556  
PHONE: 574-631-7505 • E-MAIL: ADMISSIONS@ND.EDU  
WEBSITE: WWW.ND.EDU

### Student Body

**Enrollment:** 8,427. **Student Body:** Asian 6%, African American 4%, Caucasian 71%, Hispanic 10%, International 5%, Native American <1%.

### Admissions

90% in top 10% of high school class, 97% in top 25% of high school class, 100% in top 50% of high school class. 40% from public high schools. ACT middle 50% range 32–34. SAT Math middle 50% range 680–770. SAT Critical Reading middle 50% range 660–750. SAT Writing middle 50% range 660–760. Minimum paper TOEFL 560, minimum web-based TOEFL 100.

### Costs and Financial Aid

**Annual tuition:** \$45,730. **Room & board:** \$13,224. **Required fees:** \$507. **Average book expense:** \$1,050. 93% first-year, 93% undergrads receive need-based scholarship or grant aid. 95% first-year, 81% undergrads receive need-based self-help aid. 66% first-year, 77% undergrads receive any aid. 100% of first-year need met, 100% of undergrad need met. 50% undergrads borrow to pay for school. **Average cumulative indebtedness:** \$21,534/  
**Number of students in Engineering program:** 1,203  
**Engineering majors:** mechanical; environmental; electrical; computer; chemical; aerospace, aeronautical and astronautical/space  
9% of all Bachelor's Degrees awarded in Engineering.  
**Computer science:** 2% of all Bachelor's Degrees awarded in Computer and Information Sciences.

## UNIVERSITY OF OKLAHOMA

1000 ASP AVENUE, NORMAN, OK 73019  
**PHONE:** 405-325-2252 • **E-MAIL:** ADMREC@OU.EDU  
**WEBSITE:** WWW.OU.EDU

### Student Body

**Enrollment:** 21,372. **Student Body:** Asian 6%, African American 5%, Caucasian 63%, Hispanic 9%, International 4%, Native American 4%.

### Admissions

**Average high school GPA:** 3.59. 35% in top 10% of high school class, 65% in top 25% of high school class, 91% in top 50% of high school class. ACT middle 50% range 23–29. SAT Math middle 50% range 540–670. SAT Critical Reading middle 50% range 520–670. Minimum paper TOEFL 550, minimum web-based TOEFL 79.

### Costs and Financial Aid

53% first-year, 53% undergrads receive need-based scholarship or grant aid. 62% first-year, 71% undergrads receive need-based self-help aid. 87% first-year, 89% undergrads receive any aid. 83% of first-year need met, 81% of undergrad need met. 49% undergrads borrow to pay for school. **Average cumulative indebtedness:** \$21,774.  
**Number of students in Engineering program:** 3,879  
**Engineering majors:** engineering; aerospace, aeronautical and astronautical/space; architectural; chemical; civil; computer; electrical; physics; environmental; mechanical; petroleum; industrial; geological/geophysical  
9% of all Bachelor's Degrees awarded in Engineering.  
**Computer science:** 1% of all Bachelor's Degrees awarded in Computer and Information Sciences.

## UNIVERSITY OF THE PACIFIC

3601 PACIFIC AVENUE, STOCKTON, CA 95211  
**PHONE:** 209-946-2211 • **E-MAIL:** ADMISSIONS@PACIFIC.EDU  
**WEBSITE:** WWW.PACIFIC.EDU

### Student Body

**Enrollment:** 3,802. **Student Body:** Asian 33%, African American 2%, Caucasian 30%, Hispanic 18%, International 7%, Native American 1%.

### Admissions

**Average high school GPA:** 3.49. 37% in top 10% of high school class, 62% in top 25% of high school class, 89% in top 50% of high school class. 82% from public high schools. ACT middle 50% range 23–30. SAT Math middle 50% range 530–683. SAT Critical Reading middle 50% range 508–630. SAT Writing middle 50% range 510–640. Minimum paper TOEFL 475, minimum web-based TOEFL 52.

### Costs and Financial Aid

**Annual tuition:** \$40,822. **Room & board:** \$12,582. **Required fees:** \$520. **Average book expense:** \$1,746. 98% first-year, 98% undergrads receive need-based scholarship or grant aid. 97% first-year, 92% undergrads receive need-based self-help aid. 91% first-year, 83% undergrads receive any aid. **Number of students in Engineering program:** 498  
**Engineering majors:** engineering; agricultural; civil; computer; electrical; physics; mechanical  
11.2% of all Bachelor's Degrees awarded in Engineering.  
**Computer science:** 4% of all Bachelor's Degrees awarded in Computer and Information Sciences.

## UNIVERSITY OF PENNSYLVANIA

1 COLLEGE HALL, PHILADELPHIA, PA 19104  
**PHONE:** 215-898-7507 • **E-MAIL:** INFO@ADMISSIONS.UPENN.EDU  
**WEBSITE:** WWW.UPENN.EDU

### Student Body

**Enrollment:** 9,682. **Student Body:** Asian 19%, African American 7%, Caucasian 44%, Hispanic 9%, International 11%, Native American <1%.

### Admissions

**Average high school GPA:** 3.90. 94% in top 10% of high school class, 99% in top 25% of high school class, 100% in top 50% of high school class. 60% from public high schools. ACT middle 50% range 30–34. SAT Math middle 50% range 690–780. SAT Critical Reading middle 50% range 660–760. SAT Writing middle 50% range 680–770.

### Costs and Financial Aid

**Average book expense:** \$1,190. 97% first-year, 97% undergrads receive need-based scholarship or grant aid. 98% first-year, 100% undergrads receive need-based self-help aid. 47% first-year, 45% undergrads receive any aid. 100% of first-year need met, 100% of undergrad need met. 38% undergrads borrow to pay for school. **Average cumulative indebtedness:** \$19,197.  
**Number of students in Engineering program:** 1,242  
**Engineering majors:** bioengineering and biomedical; chemical; civil; computer; electrical; environmental; materials; mechanical; systems  
10.3% of all Bachelor's Degrees awarded in Engineering.  
**Computer science:** 2% of all Bachelor's Degrees awarded in Computer and Information Sciences.

## UNIVERSITY OF PITTSBURGH—JOHNSTOWN

157 BLACKINGTON HALL, JOHNSTOWN, PA 15904  
**PHONE:** 814-269-7050 • **E-MAIL:** UPJADMIT@PITT.EDU  
**WEBSITE:** WWW.UPI.PITT.EDU

### Student Body

**Enrollment:** 2,956. **Student Body:** Asian 1%, African American 3%, Caucasian 90%, Hispanic 2%, International 1%, Native American <1%.

### Admissions

**Average high school GPA:** 3.38. 11% in top 10% of high school class, 34% in top 25% of high school class, 71% in top 50% of high school class. ACT middle 50% range 20–24. SAT Math middle 50% range 460–560. SAT Critical Reading middle 50% range 450–540. SAT Writing middle 50% range 430–530. Minimum paper TOEFL 550, minimum web-based TOEFL 80.

### Costs and Financial Aid

**Average book expense:** \$1,030. 72% first-year, 72% undergrads receive need-based scholarship or grant aid. 69% first-year, 86% undergrads receive need-based self-help aid. 80% first-year, 40% undergrads receive any aid. 56% of first-year need met, 55% of undergrad need met. 83% undergrads borrow to pay for school. **Average cumulative indebtedness:** \$21,142.  
**Engineering majors:** computer  
**Computer science:** 3% of all Bachelor's Degrees awarded in Computer and Information Sciences.

## UNIVERSITY OF PITTSBURGH— PITTSBURGH CAMPUS

4227 FIFTH AVENUE, PITTSBURGH, PA 15260  
**PHONE:** 412-624-7488 • **E-MAIL:** OAFAP@PITT.EDU  
**WEBSITE:** WWW.PITT.EDU

### Student Body

**Enrollment:** 18,474. **Student Body:** Asian 8%, African American 5%, Caucasian 76%, Hispanic 3%, International 4%, Native American <1%.

### Admissions

**Average high school GPA:** 3.99. 54% in top 10% of high school class, 87% in top 25% of high school class, 99% in top 50% of high school class. ACT middle 50% range 26–31. SAT Math middle 50% range 600–690. SAT Critical Reading middle 50% range 580–670. SAT Writing middle 50% range 570–670. Minimum paper TOEFL 600, minimum web-based TOEFL 100.

### Costs and Financial Aid

**Annual in-state tuition:** \$16,872. **Annual out-of-state tuition:** \$27,268.  
**Room & board:** \$10,800. **Required fees:** \$900. **Average book expense:** \$1,170. 77% first-year, 77% undergrads receive need-based scholarship or grant aid. 68% first-year, 85% undergrads receive need-based self-help aid. 64% first-year, 58% undergrads receive any aid. 58% of first-year need met, 54% of undergrad need met. 67% undergrads borrow to pay for school. **Average cumulative indebtedness:** \$25,244.  
**Number of students in Engineering program:** 2,625  
**Engineering majors:** bioengineering and biomedical; chemical; civil; computer; electrical; physics; science; materials; mechanical; industrial  
10.9% of all Bachelor's Degrees awarded in Engineering.  
**Computer science:** 3% of all Bachelor's Degrees awarded in Computer and Information Sciences.

## UNIVERSITY OF PORTLAND

5000 NORTH WILLAMETTE BLVD., PORTLAND, OR 97203-7147

PHONE: 503-943-7147 • E-MAIL: ADMISSIONS@UP.EDU

WEBSITE: WWW.UP.EDU

### Student Body

**Enrollment:** 3,654. **Student Body:** Asian 10%, African American 1%, Caucasian 62%, Hispanic 11%, International 3%, Native American <1%.

### Admissions

**Average high school GPA:** 3.63. 35% in top 10% of high school class, 73% in top 25% of high school class, 94% in top 50% of high school class. 60% from public high schools. SAT Math middle 50% range 540–650. SAT Critical Reading middle 50% range 540–660. Minimum paper TOEFL 525, minimum web-based TOEFL 71.

### Costs and Financial Aid

**Annual tuition:** \$38,350. **Room & board:** \$11,444. **Required fees:** \$170.  
**Average book expense:** \$1,080. 81% first-year, 81% undergrads receive need-based scholarship or grant aid. 81% first-year, 77% undergrads receive need-based self-help aid. 98% first-year, 95% undergrads receive any aid. 72% of first-year need met, 71% of undergrad need met. 68% undergrads borrow to pay for school. **Average cumulative indebtedness:** \$23,419.  
**Number of students in Engineering program:** 702  
**Engineering majors:** engineering; civil; electrical; environmental; mechanical  
12% of all Bachelor's Degrees awarded in Engineering.  
**Computer science:** 2% of all Bachelor's Degrees awarded in Computer and Information Sciences.

## UNIVERSITY OF RHODE ISLAND

NEWMAN HALL, KINGSTON, RI 02881

PHONE: 401-874-7100 • E-MAIL: ADMISSION@URI.EDU

WEBSITE: WWW.URI.EDU

### Student Body

**Enrollment:** 13,205. **Student Body:** Asian 3%, African American 5%, Caucasian 70%, Hispanic 9%, International 1%, Native American <1%.

### Admissions

**Average high school GPA:** 3.40. 19% in top 10% of high school class, 49% in top 25% of high school class, 86% in top 50% of high school class. ACT middle 50% range 22–26. SAT Math middle 50% range 510–610. SAT Critical Reading middle 50% range 500–590. SAT Writing middle 50% range 490–590. Minimum paper TOEFL 550, minimum web-based TOEFL 79.

### Costs and Financial Aid

**Annual in-state tuition:** \$10,878. **Annual out-of-state tuition:** \$26,444.  
**Room & board:** \$11,160. **Required fees:** \$1,628. **Average book expense:** \$1,200. 84% first-year, 84% undergrads receive need-based scholarship or grant aid. 80% first-year, 75% undergrads receive need-based self-help aid. 91% first-year, 90% undergrads receive any aid. 62% of first-year need met, 59% of undergrad need met. 70% undergrads borrow to pay for school. **Average cumulative indebtedness:** \$26,894.  
**Engineering majors:** bioengineering and biomedical; chemical; civil; computer; electrical; materials; mechanical; ocean; industrial  
7.9% of all Bachelor's Degrees awarded in Engineering.  
**Computer science:** 1% of all Bachelor's Degrees awarded in Computer and Information Sciences.

## UNIVERSITY OF ROCHESTER

300 WILSON BLVD., ROCHESTER, NY 14627

PHONE: 585-275-3221 • E-MAIL: ADMIT@ADMISSIONS.ROCHESTER.EDU

WEBSITE: WWW.ROCHESTER.EDU

### Student Body

**Enrollment:** 6,074. **Student Body:** Asian 11%, African American 5%, Caucasian 51%, Hispanic 6%, International 17%, Native American <1%.

### Admissions

**Average high school GPA:** 3.80. 72% in top 10% of high school class, 93% in top 25% of high school class, 100% in top 50% of high school class. 74% from public high schools. ACT middle 50% range 29–33. SAT Math middle 50% range 640–760. SAT Critical Reading middle 50% range 600–700. SAT Writing middle 50% range 610–710. Minimum paper TOEFL 600, minimum web-based TOEFL 100.

### Costs and Financial Aid

**Annual tuition:** \$46,150. **Room & board:** \$13,708. **Required fees:** \$810.  
**Average book expense:** \$1,310.

**Number of students in Engineering program:** 449

**Engineering majors:** engineering; bioengineering and biomedical; chemical; electrical; science; mechanical; geological/geophysical  
11.6% of all Bachelor's Degrees awarded in Engineering.

**Computer science:** 3% of all Bachelor's Degrees awarded in Computer and Information Sciences.

## UNIVERSITY OF SAN DIEGO

5998 ALCALA PARK, SAN DIEGO, CA 92110-2492

PHONE: 619-260-4506 • E-MAIL: ADMISSIONS@SANDIEGO.EDU

WEBSITE: WWW.SANDIEGO.EDU

### Student Body

**Enrollment:** 5,656. **Student Body:** Asian 6%, African American 3%, Caucasian 54%, Hispanic 19%, International 7%, Native American <1%.

### Admissions

**Average high school GPA:** 3.90. 45% in top 10% of high school class, 78% in top 25% of high school class, 94% in top 50% of high school class. 57% from public high schools. ACT middle 50% range 26–30. SAT Math middle 50% range 570–670. SAT Critical Reading middle 50% range 560–650. SAT Writing middle 50% range 560–660. Minimum paper TOEFL 550, minimum web-based TOEFL 80.

### Costs and Financial Aid

**Annual tuition:** \$42,330. **Room & board:** \$11,910. **Required fees:** \$578.

**Average book expense:** \$1,752. 98% first-year, 98% undergrads receive need-based scholarship or grant aid. 95% first-year, 77% undergrads receive need-based self-help aid. 81% first-year, 72% undergrads receive any aid. 73% of first-year need met, 70% of undergrad need met. 54% undergrads borrow to pay for school. **Average cumulative indebtedness:** \$22,671.

**Number of students in Engineering program:** 367

**Engineering majors:** electrical; mechanical; industrial  
5.3% of all Bachelor's Degrees awarded in Engineering.

## THE UNIVERSITY OF SCRANTON

800 LINDEN STREET, SCRANTON, PA 18510

PHONE: 570-941-7540 • E-MAIL: ADMISSIONS@SCRANTON.EDU

WEBSITE: WWW.SCRANTON.EDU

### Student Body

**Enrollment:** 3,909. **Student Body:** Asian 2%, African American 2%, Caucasian 82%, Hispanic 8%, International 0%, Native American <1%.

### Admissions

**Average high school GPA:** 3.38. 24% in top 10% of high school class, 57% in top 25% of high school class, 86% in top 50% of high school class. ACT middle 50% range 22–27. SAT Math middle 50% range 520–610. SAT Critical Reading middle 50% range 520–600. Minimum paper TOEFL 550, minimum web-based TOEFL 61.

### Costs and Financial Aid

**Average book expense:** \$1,200. 98% first-year, 98% undergrads receive need-based scholarship or grant aid. 96% first-year, 87% undergrads receive need-based self-help aid. 93% first-year, 95% undergrads receive any aid.



68% of first-year need met, 67% of undergrad need met. 75% undergrads borrow to pay for school. **Average cumulative indebtedness:** \$26,460.  
**Number of students in Engineering program:** 43  
**Engineering majors:** engineering; computer; electrical  
1% of all Bachelor's Degrees awarded in Engineering.  
**Computer science:** 1% of all Bachelor's Degrees awarded in Computer and Information Sciences.

## UNIVERSITY OF SOUTH ALABAMA

MEISLER HALL, SUITE 2500, MOBILE, AL 36688-0002  
**PHONE:** 251-460-6141 • **E-MAIL:** ADMISS@USOUTHAL.EDU  
**WEBSITE:** WWW.USOUTHAL.EDU

### Student Body

**Enrollment:** 11,267. **Student Body:** Asian 3%, African American 24%, Caucasian 61%, Hispanic 3%, International 4%, Native American 1%.

### Admissions

**Average high school GPA:** 3.41. 88% from public high schools. ACT middle 50% range 20–25. SAT Math middle 50% range 450–585. SAT Critical Reading middle 50% range 450–570. SAT Writing middle 50% range 430–540. Minimum paper TOEFL 500, minimum web-based TOEFL 61.

### Costs and Financial Aid

**Annual in-state tuition:** \$8,610. **Annual out-of-state tuition:** \$17,220.  
**Room & board:** \$7,100. **Average book expense:** \$1,200. 90% first-year, 90% undergrads receive need-based scholarship or grant aid. 81% first-year, 95% undergrads receive need-based self-help aid. 59% first-year, 80% undergrads receive any aid. 59% of first-year need met, 54% of undergrad need met.  
**Number of students in Engineering program:** 1,314  
**Engineering majors:** chemical; civil; computer; electrical; mechanical  
8% of all Bachelor's Degrees awarded in Engineering.  
**Computer science:** 3% of all Bachelor's Degrees awarded in Computer and Information Sciences.

## UNIVERSITY OF SOUTH CAROLINA— COLUMBIA

OFFICE OF UNDERGRADUATE ADMISSIONS, COLUMBIA, SC 29208  
**PHONE:** 803-777-7700 • **E-MAIL:** ADMISSIONS-UGRAD@SC.EDU  
**WEBSITE:** WWW.SC.EDU

### Student Body

**Enrollment:** 23,987. **Student Body:** Asian 2%, African American 10%, Caucasian 77%, Hispanic 4%, International 1%, Native American <1%.

### Admissions

**Average high school GPA:** 4.15. 30% in top 10% of high school class, 66% in top 25% of high school class, 94% in top 50% of high school class. ACT middle 50% range 24–29. SAT Math middle 50% range 550–650. SAT Critical Reading middle 50% range 540–630. Minimum paper TOEFL 550, minimum web-based TOEFL 77.

### Costs and Financial Aid

**Annual in-state tuition:** \$10,416. **Annual out-of-state tuition:** \$28,128.  
**Room & board:** \$8,459. **Required fees:** \$400. **Average book expense:** \$994. 42% first-year, 42% undergrads receive need-based scholarship or grant aid. 51% first-year, 91% undergrads receive need-based self-help aid. 96% first-year, 87% undergrads receive any aid. 75% of first-year need met, 73% of undergrad need met. 45% undergrads borrow to pay for school. **Average cumulative indebtedness:** \$21,789.  
**Number of students in Engineering program:** 1,593  
**Engineering majors:** bioengineering and biomedical; chemical; civil; computer; electrical; mechanical  
5.8% of all Bachelor's Degrees awarded in Engineering.  
**Computer science:** 2% of all Bachelor's Degrees awarded in Computer and Information Sciences.

## UNIVERSITY OF SOUTH FLORIDA

4202 EAST FOWLER AVENUE, TAMPA, FL 33620-9951  
**PHONE:** 813-974-3350 • **E-MAIL:** ADMISSIONS@ADMIN.USF.EDU  
**WEBSITE:** WWW.USF.EDU

### Student Body

**Enrollment:** 30,376. **Student Body:** Asian 6%, African American 11%, Caucasian 55%, Hispanic 20%, International 3%, Native American <1%.

### Admissions

**Average high school GPA:** 3.86. 36% in top 10% of high school class, 65% in top 25% of high school class, 76% in top 50% of high school class. 95% from public high schools. ACT middle 50% range 23–28. SAT Math middle 50% range 550–640. SAT Critical Reading middle 50% range 530–620. SAT Writing middle 50% range 510–610. Minimum web-based TOEFL 80.

### Costs and Financial Aid

**Annual in-state tuition:** \$4,559. **Annual out-of-state tuition:** \$15,474.  
**Room & board:** \$9,400. **Required fees:** \$1,851. **Average book expense:** \$1,000. 68% first-year, 68% undergrads receive need-based scholarship or grant aid. 67% first-year, 61% undergrads receive need-based self-help aid. 76% first-year, 69% undergrads receive any aid. 53% of first-year need met, 47% of undergrad need met. 59% undergrads borrow to pay for school. **Average cumulative indebtedness:** \$21,393.  
**Number of students in Engineering program:** 3,774  
**Engineering majors:** industrial; mechanical; electrical; computer; civil; chemical; engineering  
5.9% of all Bachelor's Degrees awarded in Engineering.  
**Computer science:** 2% of all Bachelor's Degrees awarded in Computer and Information Sciences.

## UNIVERSITY OF SOUTHERN CALIFORNIA

OFFICE OF ADMISSION/ JOHN HUBBARD HALL, LOS ANGELES, CA 90089-0911  
**PHONE:** 213-740-1111 • **E-MAIL:** ADMITUSC@USC.EDU  
**WEBSITE:** WWW.USC.EDU

### Student Body

**Enrollment:** 18,392. **Student Body:** Asian 22%, African American 4%, Caucasian 36%, Hispanic 14%, International 13%, Native American <1%.

### Admissions

**Average high school GPA:** 3.73. 88% in top 10% of high school class, 97% in top 25% of high school class, 100% in top 50% of high school class. 54% from public high schools. ACT middle 50% range 29–33. SAT Math middle 50% range 660–760. SAT Critical Reading middle 50% range 620–720. SAT Writing middle 50% range 640–740.

### Costs and Financial Aid

100% first-year, 100% undergrads receive need-based scholarship or grant aid. 100% first-year, 90% undergrads receive need-based self-help aid. 71% first-year, 67% undergrads receive any aid. 100% of first-year need met, 100% of undergrad need met. 45% undergrads borrow to pay for school. **Average cumulative indebtedness:** \$24,034.  
**Number of students in Engineering program:** 2,011  
**Engineering majors:** aerospace, aeronautical and astronautical/space; bioengineering and biomedical; chemical; civil; structural; civil; computer; electrical; environmental; mechanical; industrial  
9.2% of all Bachelor's Degrees awarded in Engineering.  
**Computer science:** 2% of all Bachelor's Degrees awarded in Computer and Information Sciences.

## UNIVERSITY OF SOUTHERN INDIANA

8600 UNIVERSITY BOULEVARD, EVANSVILLE, IN 47712  
**PHONE:** 812-464-1765 • **E-MAIL:** ENROLL@USI.EDU  
**WEBSITE:** WWW.USI.EDU

### Student Body

**Enrollment:** 8,253. **Student Body:** Asian 1%, African American 4%, Caucasian 86%, Hispanic 2%, International 2%, Native American <1%.

### Admissions

**Average high school GPA:** 3.27. 12% in top 10% of high school class, 37% in top 25% of high school class, 74% in top 50% of high school class. ACT middle 50% range 19–24. SAT Math middle 50% range 450–550. SAT Critical Reading middle 50% range 440–550. SAT Writing middle 50% range 430–520. Minimum paper TOEFL 525, minimum web-based TOEFL 71.

### Costs and Financial Aid

**Annual in-state tuition:** \$6,637. **Annual out-of-state tuition:** \$15,977. **Room & board:** \$7,928. **Required fees:** \$569. **Average book expense:** \$1,100. 62% first-year, 62% undergrads receive need-based scholarship or grant aid. 61% first-year, 86% undergrads receive need-based self-help aid. 89% first-year, 91% undergrads receive any aid. 77% of first-year need met, 76% of undergrad need met. 69% undergrads borrow to pay for school. **Average cumulative indebtedness:** \$23,448. **Number of students in Engineering program:** 333. **Engineering majors:** engineering. 2.5% of all Bachelor's Degrees awarded in Engineering. **Computer science:** 2% of all Bachelor's Degrees awarded in Computer and Information Sciences.

## UNIVERSITY OF SOUTHERN MAINE

PO Box 9300, PORTLAND, ME 04104

PHONE: 207-780-5670 • E-MAIL: USMADM@USM.MAINE.EDU

WEBSITE: WWW.USM.MAINE.EDU

### Student Body

**Enrollment:** 5,783. **Student Body:** Asian 2%, African American 3%, Caucasian 81%, Hispanic 2%, International 1%, Native American 1%.

### Admissions

**Average high school GPA:** 3.04. 7% in top 10% of high school class, 30% in top 25% of high school class, 67% in top 50% of high school class. ACT middle 50% range 20–24. SAT Math middle 50% range 440–550. SAT Critical Reading middle 50% range 440–560. SAT Writing middle 50% range 420–530. Minimum web-based TOEFL 80.

### Costs and Financial Aid

**Annual in-state tuition:** \$7,590. **Annual out-of-state tuition:** \$19,950. **Room & board:** \$9,150. **Required fees:** \$1,330. **Average book expense:** \$1,346.75% first-year, 75% undergrads receive need-based scholarship or grant aid. 76% first-year, 89% undergrads receive need-based self-help aid. 51% of first-year need met, 51% of undergrad need met. 74% undergrads borrow to pay for school. **Engineering majors:** electrical; mechanical. 2.1% of all Bachelor's Degrees awarded in Engineering. **Computer science:** 1% of all Bachelor's Degrees awarded in Computer and Information Sciences.

## UNIVERSITY OF ST. THOMAS

3800 MONTROSE BOULEVARD, HOUSTON, TX 77006-4696

PHONE: 713-525-3500 • E-MAIL: ADMISSIONS@STTHOM.EDU

WEBSITE: WWW.STTHOM.EDU

### Student Body

**Enrollment:** 1,568. **Student Body:** Asian 12%, African American 7%, Caucasian 29%, Hispanic 38%, International 10%, Native American <1%.

### Admissions

**Average high school GPA:** 3.54. 28% in top 10% of high school class, 49% in top 25% of high school class, 80% in top 50% of high school class. 80% from public high schools. ACT middle 50% range 22–27. SAT Math middle 50% range 500–620. SAT Critical Reading middle 50% range 490–600. SAT Writing middle 50% range 480–580. Minimum paper TOEFL 550, minimum web-based TOEFL 79.

### Costs and Financial Aid

**Annual tuition:** \$29,100. **Room & board:** \$8,250. **Required fees:** \$340. **Average book expense:** \$1,094. 96% first-year, 96% undergrads receive need-based scholarship or grant aid. 98% first-year, 69% undergrads receive need-based self-help aid. 90% first-year, 74% undergrads receive any aid. 68% of first-year need met, 59% of undergrad need met. 57% undergrads borrow to pay for school. **Average cumulative indebtedness:** \$30,484.

## UNIVERSITY OF TAMPA

401 WEST KENNEDY BOULEVARD, TAMPA, FL 33606-1490

PHONE: 813-253-6211 • E-MAIL: ADMISSIONS@UT.EDU

WEBSITE: WWW.UT.EDU

### Student Body

**Enrollment:** 6,811. **Student Body:** Asian 1%, African American 5%, Caucasian 59%, Hispanic 12%, International 10%, Native American <1%.

### Admissions

**Average high school GPA:** 3.30. 20% in top 10% of high school class, 48% in top 25% of high school class, 83% in top 50% of high school class. 73% from public high schools. ACT middle 50% range 22–27. SAT Math middle 50% range 500–580. SAT Critical Reading middle 50% range 490–580. SAT Writing middle 50% range 490–570. Minimum paper TOEFL 550, minimum web-based TOEFL 79.

### Costs and Financial Aid

**Annual tuition:** \$24,528. **Room & board:** \$9,624. **Required fees:** \$1,802. **Average book expense:** \$1,200. 100% first-year, 100% undergrads receive need-based scholarship or grant aid. 98% first-year, 80% undergrads receive need-based self-help aid. 92% first-year, 90% undergrads receive any aid. 62% of first-year need met, 60% of undergrad need met. 61% undergrads borrow to pay for school. **Average cumulative indebtedness:** \$25,930.

## UNIVERSITY OF TENNESSEE AT CHATTANOOGA

615 McCALLIE AVENUE, CHATTANOOGA, TN 37403

PHONE: 423-425-4662 • E-MAIL: UTCMCCS@UTC.EDU

WEBSITE: WWW.UTC.EDU

### Student Body

**Enrollment:** 10,213. **Student Body:** Asian 2%, African American 11%, Caucasian 74%, Hispanic 3%, International 1%, Native American <1%.

### Admissions

**Average high school GPA:** 3.42. 47% in top 25% of high school class, 85% in top 50% of high school class. 75% from public high schools. ACT middle 50% range 21–26. SAT Math middle 50% range 460–580. SAT Critical Reading middle 50% range 460–600. Minimum paper TOEFL 500, minimum web-based TOEFL 61.

### Costs and Financial Aid

**Annual in-state tuition:** \$6,430. **Annual out-of-state tuition:** \$22,548. **Room & board:** \$8,110. **Required fees:** \$1,708. **Average book expense:** \$1,400. 95% first-year, 95% undergrads receive need-based scholarship or grant aid. 85% first-year, 75% undergrads receive need-based self-help aid. 65% first-year, 63% undergrads receive any aid. 74% of first-year need met, 66% of undergrad need met. 57% undergrads borrow to pay for school. **Average cumulative indebtedness:** \$20,906. **Number of students in Engineering program:** 823. **Engineering majors:** engineering; chemical; electrical; mechanical; civil. 6.2% of all Bachelor's Degrees awarded in Engineering. **Computer science:** 1% of all Bachelor's Degrees awarded in Computer and Information Sciences.

## UNIVERSITY OF TENNESSEE AT KNOXVILLE

320 STUDENT SERVICE BUILDING, KNOXVILLE, TN 37996-0230

PHONE: 865-974-2184 • E-MAIL: ADMISSIONS@UTK.EDU

WEBSITE: HTTP://WWW.UTK.EDU

### Student Body

**Enrollment:** 21,396. **Student Body:** Asian 3%, African American 7%, Caucasian 80%, Hispanic 3%, International 1%, Native American <1%.

### Admissions

**Average high school GPA:** 3.79. 50% in top 10% of high school class, 90% in top 25% of high school class, 100% in top 50% of high school class. ACT middle 50% range 24–29. SAT Math middle 50% range 530–640. SAT Critical Reading middle 50% range 520–630. Minimum paper TOEFL 523, minimum web-based TOEFL 70.

### Costs and Financial Aid

**Annual in-state tuition:** \$10,366. **Annual out-of-state tuition:** \$28,556. **Room & board:** \$10,296. **Required fees:** \$1,510. **Average book expense:**

\$1,582. 95% first-year, 95% undergrads receive need-based scholarship or grant aid. 89% first-year, 99% undergrads receive need-based self-help aid. 61% first-year, 60% undergrads receive any aid. 65% of first-year need met. 57% of undergrad need met. 51% undergrads borrow to pay for school. **Average cumulative indebtedness:** \$21,602.

**Number of students in Engineering program:** 2,819

**Engineering majors:** aerospace, aeronautical and astronautical/space; agricultural; bioengineering and biomedical; chemical; civil; computer; electrical; science; environmental; materials; mechanical; nuclear; polymer/plastics; industrial

10.2% of all Bachelor's Degrees awarded in Engineering.

**Computer science:** 1% of all Bachelor's Degrees awarded in Computer and Information Sciences.

## UNIVERSITY OF TENNESSEE AT MARTIN

200 HALL-MOODY, MARTIN, TN 38238

PHONE: 731-881-7020 • E-MAIL: ADMITME@UTM.EDU

WEBSITE: WWW.UTM.EDU

### Student Body

**Enrollment:** 6,387. **Student Body:** Asian 1%, African American 16%, Caucasian 76%, Hispanic 2%, International 3%, Native American <1%.

### Admissions

**Average high school GPA:** 3.52. 28% in top 10% of high school class, 62% in top 25% of high school class, 90% in top 50% of high school class. 94% from public high schools. ACT middle 50% range 20–25. Minimum paper TOEFL 500, minimum web-based TOEFL 61.

### Costs and Financial Aid

**Annual in-state tuition:** \$6,716. **Annual out-of-state tuition:** \$20,660.

**Room & board:** \$5,786. **Required fees:** \$1,308. **Average book expense:** \$1,600. 67% first-year, 67% undergrads receive need-based scholarship or grant aid. 70% first-year, 65% undergrads receive need-based self-help aid. 77% first-year, 73% undergrads receive any aid. 77% of first-year need met, 73% of undergrad need met. 63% undergrads borrow to pay for school. **Average cumulative indebtedness:** \$26,060.

**Number of students in Engineering program:** 214

**Engineering majors:** engineering

3.8% of all Bachelor's Degrees awarded in Engineering.

**Computer science:** 1% of all Bachelor's Degrees awarded in Computer and Information Sciences.

## THE UNIVERSITY OF TEXAS AT ARLINGTON

OFFICE OF ADMISSIONS, ARLINGTON, TX 76019-0111

PHONE: 817-272-6287 • E-MAIL: ADMISSIONS@UTA.EDU

WEBSITE: WWW.UTA.EDU

### Student Body

**Enrollment:** 25,414. **Student Body:** Asian 12%, African American 15%, Caucasian 40%, Hispanic 26%, International 4%, Native American <1%.

### Admissions

28% in top 10% of high school class, 75% in top 25% of high school class, 98% in top 50% of high school class. ACT middle 50% range 20–26. SAT Math middle 50% range 500–620. SAT Critical Reading middle 50% range 460–580. SAT Writing middle 50% range 450–560. Minimum paper TOEFL 550, minimum web-based TOEFL 79.

### Costs and Financial Aid

**Annual in-state tuition:** \$8,878. **Annual out-of-state tuition:** \$19,497.

**Room & board:** \$7,864. **Average book expense:** \$1,160. 74% first-year, 74% undergrads receive need-based scholarship or grant aid. 80% first-year, 95% undergrads receive need-based self-help aid. 65% first-year, 68% undergrads receive any aid. 78% of first-year need met, 76% of undergrad need met. 58% undergrads borrow to pay for school. **Average cumulative indebtedness:** \$21,314.

**Number of students in Engineering program:** 3,057

**Engineering majors:** aerospace, aeronautical and astronautical/space; bioengineering and biomedical; civil; computer; computer software; electrical; mechanical; industrial

6% of all Bachelor's Degrees awarded in Engineering.

## THE UNIVERSITY OF TEXAS AT AUSTIN

P.O. Box 8058, AUSTIN, TX 78713-8058

PHONE: 512-475-7399 • E-MAIL: HTTP://BEALONGHORN.UTEXAS.EDU/ASK/CONTACT

WEBSITE: HTTP://WWW.UTEXAS.EDU

### Student Body

**Enrollment:** 39,323. **Student Body:** Asian 18%, African American 4%, Caucasian 48%, Hispanic 22%, International 5%, Native American <1%.

### Admissions

75% in top 10% of high school class, 91% in top 25% of high school class, 98% in top 50% of high school class. ACT middle 50% range 25–31. SAT Math middle 50% range 590–710. SAT Critical Reading middle 50% range 550–670. SAT Writing middle 50% range 550–680. Minimum paper TOEFL 550, minimum web-based TOEFL 79.

### Costs and Financial Aid

**Annual in-state tuition:** \$9,798. **Annual out-of-state tuition:** \$34,722.

**Room & board:** \$11,456. **Required fees:** \$0. **Average book expense:** \$760. 91% first-year, 91% undergrads receive need-based scholarship or grant aid. 81% first-year, 73% undergrads receive need-based self-help aid. 45% undergrads receive any aid. 73% of first-year need met, 64% of undergrad need met. 50% undergrads borrow to pay for school. **Average cumulative indebtedness:** \$22,295.

**Engineering majors:** aerospace, aeronautical and astronautical/space; architectural; bioengineering and biomedical; chemical; civil; electrical; mechanical; petroleum

11.9% of all Bachelor's Degrees awarded in Engineering.

**Computer science:** 3% of all Bachelor's Degrees awarded in Computer and Information Sciences.

## THE UNIVERSITY OF TEXAS AT BROWNSVILLE

80 FORT BROWN, BROWNSVILLE, TX 77520

PHONE: 956-882-8295 • E-MAIL: ADMISSIONS@UTB.EDU

WEBSITE: WWW.UTB.EDU

### Student Body

**Enrollment:** 10,145. **Student Body:** Asian 0%, African American 0%, Caucasian 5%, Hispanic 90%, International 4%, Native American <1%.

### Admissions

**Average high school GPA:** 2.61. 10% in top 10% of high school class, 27% in top 25% of high school class, 57% in top 50% of high school class. 95% from public high schools.

### Costs and Financial Aid

**Average book expense:** \$615.

**Engineering majors:** physics

2.4% of all Bachelor's Degrees awarded in Engineering.

**Computer science:** 2% of all Bachelor's Degrees awarded in Computer and Information Sciences.

## THE UNIVERSITY OF TEXAS AT DALLAS

ADMISSION & ENROLLMENT, 800 W CAMPBELL R, RICHARDSON, TX 75080-3021

PHONE: 972-883-2270 • E-MAIL: INTEREST@UTDALLAS.EDU

WEBSITE: WWW.UTDALLAS.EDU

### Student Body

**Enrollment:** 14,033. **Student Body:** Asian 28%, African American 6%, Caucasian 39%, Hispanic 18%, International 4%, Native American <1%.

### Admissions

38% in top 10% of high school class, 70% in top 25% of high school class, 92% in top 50% of high school class. 91% from public high schools. ACT middle 50% range 25–31. SAT Math middle 50% range 590–700. SAT Critical Reading middle 50% range 550–670. SAT Writing middle 50% range 530–650. Minimum paper TOEFL 550, minimum web-based TOEFL 80.

### Costs and Financial Aid

**Annual in-state tuition:** \$11,806. **Annual out-of-state tuition:** \$31,328.

**Room & board:** \$9,542. **Average book expense:** \$1,200. 89% first-year, 89% undergrads receive need-based scholarship or grant aid. 86% first-year, 86% undergrads receive need-based self-help aid. 80% first-year, 70% undergrads

receive any aid. 76% of first-year need met, 64% of undergrad need met. 48% undergrads borrow to pay for school. **Average cumulative indebtedness:** \$19,675.

**Number of students in Engineering program:** 2,104

**Engineering majors:** bioengineering and biomedical; computer; computer software; electrical; telecommunications; mechanical  
9% of all Bachelor's Degrees awarded in Engineering.

**Computer science:** 4% of all Bachelor's Degrees awarded in Computer and Information Sciences.

## THE UNIVERSITY OF TEXAS—EL PASO

MIKE LOYA ACADEMIC SERVICES BLDG., #102, EL PASO, TX 79968-0510

PHONE: 915-747-5890 • E-MAIL: WWW.ACADEMICS.UTEP.EDU

WEBSITE: HTTP://WWW.UTEP.EDU/

### Student Body

**Enrollment:** 19,078. **Student Body:** Asian 1%, African American 3%, Caucasian 8%, Hispanic 81%, International 5%, Native American <1%.

### Admissions

**Average high school GPA:** 3.15. 17% in top 10% of high school class, 40% in top 25% of high school class, 69% in top 50% of high school class. 94% from public high schools. ACT middle 50% range 17–22. SAT Math middle 50% range 420–530. SAT Critical Reading middle 50% range 390–500.

### Costs and Financial Aid

**Annual in-state tuition:** \$5,565. **Annual out-of-state tuition:** \$16,095.

**Room & board:** \$8,924. **Required fees:** \$1,649. **Average book expense:** \$1,160.

88% first-year, 88% undergrads receive need-based scholarship or grant aid. 88% first-year, 85% undergrads receive need-based self-help aid. 77% first-year, 65% undergrads receive any aid. 79% of first-year need met, 72% of undergrad need met. 61% undergrads borrow to pay for school. **Average cumulative indebtedness:** \$21,173.

**Number of students in Engineering program:** 2,116

**Engineering majors:** engineering; civil; computer; electrical; environmental; mechanical; metallurgical; industrial; manufacturing  
27% of all Bachelor's Degrees awarded in Engineering.

**Computer science:** 45% of all Bachelor's Degrees awarded in Computer and Information Sciences.

## THE UNIVERSITY OF TEXAS AT SAN ANTONIO

ONE UTSA CIRCLE, SAN ANTONIO, TX 78249-0617

PHONE: 210-458-8000 • E-MAIL: PROSPECTS@UTSA.EDU

WEBSITE: HTTP://WWW.UTSA.EDU/

### Student Body

**Enrollment:** 23,815. **Student Body:** Asian 5%, African American 9%, Caucasian 26%, Hispanic 51%, International 4%, Native American <1%.

### Admissions

19% in top 10% of high school class, 64% in top 25% of high school class, 92% in top 50% of high school class. ACT middle 50% range 19–25. SAT Math middle 50% range 480–490. SAT Critical Reading middle 50% range 450–560. SAT Writing middle 50% range 430–540. Minimum paper TOEFL 550, minimum web-based TOEFL 79.

### Costs and Financial Aid

**Annual in-state tuition:** \$5,982. **Annual out-of-state tuition:** \$17,295.

**Room & board:** \$7,624. **Required fees:** \$2,755. **Average book expense:** \$1,000.

**Number of students in Engineering program:** 2,639

**Engineering majors:** manufacturing; mechanical; materials; environmental; electrical; computer; civil; bioengineering and biomedical  
6.4% of all Bachelor's Degrees awarded in Engineering.

**Computer science:** 2% of all Bachelor's Degrees awarded in Computer and Information Sciences.

## THE UNIVERSITY OF TEXAS AT TYLER

3900 UNIVERSITY BLVD., TYLER, TX 75799

PHONE: 903-566-7202 • E-MAIL: ADMISSIONS@MAIL.UTTYL.EDU

WEBSITE: WWW.UTTYLER.EDU

### Student Body

**Enrollment:** 4,700. **Student Body:** Asian 2%, African American 10%, Caucasian 79%, Hispanic 6%, International 1%, Native American 1%.

### Admissions

ACT middle 50% range 20–25. SAT Math middle 50% range 480–580. SAT Critical Reading middle 50% range 470–570. Minimum paper TOEFL 550.

### Costs and Financial Aid

84% first-year, 84% undergrads receive need-based scholarship or grant aid. 81% first-year, 91% undergrads receive need-based self-help aid. 51% of first-year need met, 67% of undergrad need met. 44% undergrads borrow to pay for school. **Average cumulative indebtedness:** \$11,286.

**Engineering majors:** engineering; civil; electrical; mechanical  
1% of all Bachelor's Degrees awarded in Engineering.

**Computer science:** 3% of all Bachelor's Degrees awarded in Computer and Information Sciences.

## THE UNIVERSITY OF TEXAS— PAN AMERICAN

1201 WEST UNIVERSITY DRIVE, EDINBURG, TX 78539-2999

PHONE: 956-665-2999 • E-MAIL: ADMISSIONS@UTPA.EDU

WEBSITE: WWW.UTPA.EDU

### Student Body

**Enrollment:** 17,994. **Student Body:** Asian 1%, African American 1%, Caucasian 3%, Hispanic 91%, International 2%, Native American <1%.

### Admissions

22% in top 10% of high school class, 53% in top 25% of high school class, 83% in top 50% of high school class. 99% from public high schools. ACT middle 50% range 18–22. SAT Math middle 50% range 440–540. SAT Critical Reading middle 50% range 420–520. SAT Writing middle 50% range 410–510. Minimum paper TOEFL 500, minimum web-based TOEFL 63.

### Costs and Financial Aid

98% first-year, 98% undergrads receive need-based scholarship or grant aid. 95% first-year, 48% undergrads receive need-based self-help aid. 68% of first-year need met, 63% of undergrad need met. 61% undergrads borrow to pay for school. **Average cumulative indebtedness:** \$14,700.

**Number of students in Engineering program:** 1,644

**Engineering majors:** civil; computer; electrical; mechanical; industrial  
5.5% of all Bachelor's Degrees awarded in Engineering.

**Computer science:** 1% of all Bachelor's Degrees awarded in Computer and Information Sciences.

## UNIVERSITY OF TOLEDO

2801 WEST BANCROFT, TOLEDO, OH 43606

PHONE: 419-530-8700 • E-MAIL: ENROLL@UTNET.UTOLEDO.EDU

WEBSITE: WWW.UTOLEDO.EDU

### Student Body

**Enrollment:** 15,288. **Student Body:** Asian 2%, African American 13%, Caucasian 76%, Hispanic 3%, International 1%, Native American <1%.

### Admissions

**Average high school GPA:** 3.08. 16% in top 10% of high school class, 37% in top 25% of high school class, 64% in top 50% of high school class. ACT middle 50% range 19–25. SAT Math middle 50% range 460–600. SAT Critical Reading middle 50% range 450–570. Minimum paper TOEFL 500.

### Costs and Financial Aid

**Average book expense:** \$690. 70% first-year, 70% undergrads receive need-based scholarship or grant aid. 70% first-year, 81% undergrads receive need-based self-help aid. 55% undergrads receive any aid. 55% of first-year need met, 60% of undergrad need met. 65% undergrads borrow to pay for school.

**Engineering majors:** bioengineering and biomedical; chemical; civil; computer; electrical; physics; science; environmental; mechanical; manufacturing; engineering

12% of all Bachelor's Degrees awarded in Engineering.

**Computer science:** 2% of all Bachelor's Degrees awarded in Computer and Information Sciences.

## THE UNIVERSITY OF TULSA

800 SOUTH TUCKER DRIVE, TULSA, OK 74104

PHONE: 918-631-2307 • E-MAIL: ADMISSION@UTULSA.EDU

WEBSITE: WWW.UTULSA.EDU

### Student Body

**Enrollment:** 3,441. **Student Body:** Asian 3%, African American 4%, Caucasian 55%, Hispanic 4%, International 27%, Native American 4%.

### Admissions

**Average high school GPA:** 3.90. 75% in top 10% of high school class, 92% in top 25% of high school class, 98% in top 50% of high school class. 73% from public high schools. ACT middle 50% range 26–32. SAT Math middle 50% range 570–700. SAT Critical Reading middle 50% range 560–710. Minimum paper TOEFL 550, minimum web-based TOEFL 80.

### Costs and Financial Aid

**Annual tuition:** \$38,556. **Room & board:** \$10,680. **Required fees:** \$965. **Average book expense:** \$1,200. 30% first-year, 30% undergrads receive need-based scholarship or grant aid. 36% first-year, 54% undergrads receive need-based self-help aid. 90% first-year, 86% undergrads receive any aid. 86% of first-year need met, 81% of undergrad need met. 49% undergrads borrow to pay for school. **Average cumulative indebtedness:** \$24,625.

**Number of students in Engineering program:** 1,106

**Engineering majors:** chemical; electrical; physics; mechanical; petroleum; geological/geophysical; petroleum  
20.5% of all Bachelor's Degrees awarded in Engineering.

**Computer science:** 3% of all Bachelor's Degrees awarded in Computer and Information Sciences.

## UNIVERSITY OF UTAH

201 SOUTH 1460 EAST, SALT LAKE CITY, UT 84112

PHONE: 801-581-7281 • E-MAIL: ADMISSIONS@SA.UTAH.EDU

WEBSITE: WWW.UTAH.EDU

### Student Body

**Enrollment:** 23,795. **Student Body:** Asian 5%, African American 1%, Caucasian 68%, Hispanic 10%, International 6%, Native American <1%.

### Admissions

**Average high school GPA:** 3.57. 22% in top 10% of high school class, 49% in top 25% of high school class, 82% in top 50% of high school class. 91% from public high schools. ACT middle 50% range 21–28. SAT Math middle 50% range 520–650. SAT Critical Reading middle 50% range 500–640. SAT Writing middle 50% range 490–610. Minimum paper TOEFL 550, minimum web-based TOEFL 80.

### Costs and Financial Aid

**Annual out-of-state tuition:** \$24,261. **Room & board:** \$8,528. **Required fees:** \$1,006. **Average book expense:** \$1,280. 86% first-year, 86% undergrads receive need-based scholarship or grant aid. 83% first-year, 94% undergrads receive need-based self-help aid. 62% first-year, 61% undergrads receive any aid. 62% of first-year need met, 61% of undergrad need met. 39% undergrads borrow to pay for school. **Average cumulative indebtedness:** \$19,112.

**Number of students in Engineering program:** 2,491

**Engineering majors:** civil; materials; mechanical; mining and mineral; petroleum; geological/geophysical  
8% of all Bachelor's Degrees awarded in Engineering.

**Computer science:** 3% of all Bachelor's Degrees awarded in Computer and Information Sciences.

## THE UNIVERSITY OF VERMONT

UNIVERSITY OF VERMONT ADMISSIONS, BURLINGTON, VT 05401-3596

PHONE: 802-656-3370 • E-MAIL: ADMISSIONS@UVM.EDU

WEBSITE: WWW.UVM.EDU

### Student Body

**Enrollment:** 9,958. **Student Body:** Asian 2%, African American 1%, Caucasian 83%, Hispanic 4%, International 3%, Native American <1%.

### Admissions

**Average high school GPA:** 3.49. 29% in top 10% of high school class, 68% in top 25% of high school class, 94% in top 50% of high school class. 70% from public high schools. ACT middle 50% range 24–29. SAT Math middle 50% range 540–650. SAT Critical Reading middle 50% range 540–640. SAT Writing middle 50% range 540–640. Minimum paper TOEFL 550, minimum web-based TOEFL 79.

### Costs and Financial Aid

**Annual in-state tuition:** \$14,184. **Annual out-of-state tuition:** \$35,832. **Room & board:** \$10,780. **Required fees:** \$2,042. **Average book expense:** \$1,200. 97% first-year, 97% undergrads receive need-based scholarship or grant aid. 97% first-year, 74% undergrads receive need-based self-help aid. 93% first-year, 83% undergrads receive any aid. 70% of first-year need met, 65% of undergrad need met. 63% undergrads borrow to pay for school. **Average cumulative indebtedness:** \$21,821.

**Number of students in Engineering program:** 891

**Engineering majors:** mechanical; industrial; engineering; civil; electrical; environmental  
5.2% of all Bachelor's Degrees awarded in Engineering.

**Computer science:** 1% of all Bachelor's Degrees awarded in Computer and Information Sciences.

## UNIVERSITY OF VIRGINIA

OFFICE OF ADMISSION, CHARLOTTESVILLE, VA 22906

PHONE: 434-982-3200 • E-MAIL: UNDERGRADADMISSION@VIRGINIA.EDU

WEBSITE: WWW.VIRGINIA.EDU

### Student Body

**Enrollment:** 15,430. **Student Body:** Asian 12%, African American 6%, Caucasian 61%, Hispanic 6%, International 5%, Native American <1%.

### Admissions

**Average high school GPA:** 4.23. 89% in top 10% of high school class, 98% in top 25% of high school class, 99% in top 50% of high school class. 72% from public high schools. ACT middle 50% range 28–33. SAT Math middle 50% range 630–740. SAT Critical Reading middle 50% range 620–720. SAT Writing middle 50% range 620–720.

### Costs and Financial Aid

**Annual in-state tuition:** \$10,484. **Annual out-of-state tuition:** \$38,988. **Room & board:** \$9,717. **Required fees:** \$2,724. **Average book expense:** \$1,260. 82% first-year, 82% undergrads receive need-based scholarship or grant aid. 81% first-year, 63% undergrads receive need-based self-help aid. 56% first-year, 51% undergrads receive any aid. 100% of first-year need met, 100% of undergrad need met. 36% undergrads borrow to pay for school. **Average cumulative indebtedness:** \$20,029.

**Number of students in Engineering program:** 2,046

**Engineering majors:** aerospace, aeronautical and astronautical/space; bioengineering and biomedical; chemical; civil; computer; electrical; science; mechanical; systems

13.6% of all Bachelor's Degrees awarded in Engineering.

**Computer science:** 2% of all Bachelor's Degrees awarded in Computer and Information Sciences.

## UNIVERSITY OF VIRGINIA'S COLLEGE AT WISE

1 COLLEGE AVENUE, WISE, VA 24293

PHONE: 276-328-0102 • E-MAIL: ADMISSIONS@UVAWISE.EDU

WEBSITE: WWW.UVAWISE.EDU

### Student Body

**Enrollment:** 1,629. **Student Body:** Asian 1%, African American 7%, Caucasian 90%, Hispanic 2%, International 0%, Native American <1%.

### Admissions

**Average high school GPA:** 3.30. 18% in top 10% of high school class, 40% in top 25% of high school class, 78% in top 50% of high school class. 99% from public high schools. ACT middle 50% range 16–21. SAT Math middle 50% range 430–530. SAT Critical Reading middle 50% range 420–530. Minimum paper TOEFL 550.

**Computer science:** 1% of all Bachelor's Degrees awarded in Computer and Information Sciences.

## UNIVERSITY OF WASHINGTON

1410 NE CAMPUS PARKWAY, SEATTLE, WA 98195-5852

PHONE: 206-543-9686

WEBSITE: WWW.WASHINGTON.EDU

### Student Body

**Enrollment:** 29,468. **Student Body:** Asian 12%, African American 1%, Caucasian 25%, Hispanic 3%, International 7%, Native American <1%.

### Admissions

**Average high school GPA:** 3.76. 73% from public high schools. ACT middle 50% range 25–31. SAT Math middle 50% range 580–700. SAT Critical Reading middle 50% range 530–650. SAT Writing middle 50% range 520–640. Minimum paper TOEFL 540, minimum web-based TOEFL 76.

### Costs and Financial Aid

**Average book expense:** \$1,206. 74% first-year, 74% undergrads receive need-based scholarship or grant aid. 73% first-year, 71% undergrads receive need-based self-help aid. 50% first-year, 50% undergrads receive any aid. 82% of first-year need met, 82% of undergrad need met. 46% undergrads borrow to pay for school. **Average cumulative indebtedness:** \$20,500.

**Engineering majors:** engineering; aerospace, aeronautical and astronautical; aerospace, aeronautical and astronautical/space; bioengineering and biomedical; chemical; civil; computer; electrical; mechanical

## UNIVERSITY OF WEST FLORIDA

11000 UNIVERSITY PARKWAY, PENSACOLA, FL 32514-5750

PHONE: 850-474-2230 • E-MAIL: ADMISSIONS@UWF.EDU

WEBSITE: HTTP://UWF.EDU

### Student Body

**Enrollment:** 9,948. **Student Body:** Asian 3%, African American 12%, Caucasian 70%, Hispanic 8%, International 1%, Native American 1%.

### Admissions

9% in top 10% of high school class, 35% in top 25% of high school class, 76% in top 50% of high school class. 93% from public high schools. ACT middle 50% range 20–25. SAT Math middle 50% range 450–540. SAT Critical Reading middle 50% range 450–550. SAT Writing middle 50% range 430–530. Minimum paper TOEFL 550.

### Costs and Financial Aid

**Annual in-state tuition:** \$3,742. **Annual out-of-state tuition:** \$16,010.

**Room & board:** \$8,574. **Required fees:** \$1,683. **Average book expense:** \$1,200.

**Number of students in Engineering program:** 473

**Engineering majors:** computer; electrical

2% of all Bachelor's Degrees awarded in Engineering.

**Computer science:** 4% of all Bachelor's Degrees awarded in Computer and Information Sciences.

## UNIVERSITY OF WISCONSIN—EAU CLAIRE

105 GARFIELD AVENUE, EAU CLAIRE, WI 54701

PHONE: 715-836-5415 • E-MAIL: ADMISSIONS@UWEC.EDU

WEBSITE: WWW.UWEC.EDU

### Student Body

**Enrollment:** 9,910. **Student Body:** Asian 3%, African American 1%, Caucasian 71%, Hispanic 2%, International 2%, Native American <1%.

### Admissions

17% in top 10% of high school class, 47% in top 25% of high school class, 92% in top 50% of high school class. ACT middle 50% range 22–26. SAT Math middle 50% range 480–610. SAT Critical Reading middle 50% range 480–560. Minimum paper TOEFL 550, minimum web-based TOEFL 79.

### Costs and Financial Aid

**Annual in-state tuition:** \$7,361. **Annual out-of-state tuition:** \$14,934.

**Room & board:** \$6,986. **Required fees:** \$1,383. **Average book expense:** \$400. 79% first-year, 79% undergrads receive need-based scholarship or grant aid. 76% first-year, 94% undergrads receive need-based self-help aid. 80% first-year, 70% undergrads receive any aid. 85% of first-year need met, 86% of undergrad need met. 68% undergrads borrow to pay for school. **Average cumulative indebtedness:** \$23,515.

**Computer science:** 2% of all Bachelor's Degrees awarded in Computer and Information Sciences.

## UNIVERSITY OF WISCONSIN—MADISON

702 WEST JOHNSON STREET, SUITE 101, MADISON, WI 53715-701007

PHONE: 608-262-3961 • E-MAIL: ONWISCONSIN@ADMISSIONS.WISC.EDU

WEBSITE: WWW.WISC.EDU

### Student Body

**Enrollment:** 29,302. **Student Body:** Asian 5%, African American 2%, Caucasian 77%, Hispanic 5%, International 7%, Native American <1%.

### Admissions

**Average high school GPA:** 3.83. 52% in top 10% of high school class, 90% in top 25% of high school class, 100% in top 50% of high school class. ACT middle 50% range 26–31. SAT Math middle 50% range 630–740. SAT Critical Reading middle 50% range 570–670. SAT Writing middle 50% range 590–680. Minimum paper TOEFL 550, minimum web-based TOEFL 80.

### Costs and Financial Aid

**Average book expense:** \$1,200. 79% first-year, 79% undergrads receive need-based scholarship or grant aid. 77% first-year, 56% undergrads receive need-based self-help aid. 78% of first-year need met, 80% of undergrad need met. 51% undergrads borrow to pay for school. **Average cumulative indebtedness:** \$23,152

**Engineering majors:** agricultural; biomedical/medical; bioengineering and biomedical; chemical; civil; computer; electrical; mechanics; physics; materials; mechanical; nuclear; industrial; geological/geophysical

8% of all Bachelor's Degrees awarded in Engineering.  
**Computer science:** 2% of all Bachelor's Degrees awarded in Computer and Information Sciences.

## UNIVERSITY OF WISCONSIN—MILWAUKEE

DEPARTMENT OF ADMISSIONS AND RECRUITMENT, MILWAUKEE, WI 53211

PHONE: 414-229-2222 • E-MAIL: UWMLLOOK@UWM.EDU

WEBSITE: WWW4.UWM.EDU

### Student Body

**Enrollment:** 21,729. **Student Body:** Asian 6%, African American 8%, Caucasian 72%, Hispanic 8%, International 3%, Native American <1%.

### Admissions

**Average high school GPA:** 3.05. 9% in top 10% of high school class, 28% in top 25% of high school class, 63% in top 50% of high school class. ACT middle 50% range 19–24. Minimum paper TOEFL 520, minimum web-based TOEFL 68.

### Costs and Financial Aid

**Annual in-state tuition:** \$8,091. **Annual out-of-state tuition:** \$17,820.

**Room & board:** \$9,136. **Required fees:** \$1,209. **Average book expense:** \$700. 59% first-year, 59% undergrads receive need-based scholarship or grant aid. 56% first-year, 69% undergrads receive need-based self-help aid. 43% of first-year need met, 46% of undergrad need met. 73% undergrads borrow to pay for school. **Average cumulative indebtedness:** \$25,317

**Number of students in Engineering program:** 1,325

**Engineering majors:** civil; computer; electrical; materials; mechanical; industrial

5.9% of all Bachelor's Degrees awarded in Engineering.

**Computer science:** 3% of all Bachelor's Degrees awarded in Computer and Information Sciences.

## UNIVERSITY OF WISCONSIN—PLATTEVILLE

1 UNIVERSITY PLAZA, PLATTEVILLE, WI 53818

PHONE: 608-342-1125 • E-MAIL: ADMIT@UWPLATT.EDU

WEBSITE: WWW.UWPLATT.EDU

### Student Body

**Enrollment:** 5,631. **Student Body:** Asian 1%, African American 1%, Caucasian 95%, Hispanic 1%, International 0%, Native American <1%.

### Admissions

12% in top 10% of high school class, 35% in top 25% of high school class, 77% in top 50% of high school class. 94% from public high schools. ACT middle 50% range 20–25. Minimum paper TOEFL 550.

### Costs and Financial Aid

**Annual in-state tuition:** \$4,277. **Annual out-of-state tuition:** \$14,323.

**Room & board:** \$4,654. **Required fees:** \$848. **Average book expense:** \$320. 60% undergrads borrow to pay for school.

**Number of students in Engineering program:** 1,611  
**Engineering majors:** civil; computer software; electrical; physics; environmental; mechanical; industrial; mechanical  
23.5% of all Bachelor's Degrees awarded in Engineering.  
**Computer science:** 3% of all Bachelor's Degrees awarded in Computer and Information Sciences.

## UNIVERSITY OF WISCONSIN— STEVENS POINT

1108 FREMONT ST., STEVENS POINT, WI 54481  
PHONE: 715-346-2441 • E-MAIL: ADMISS@UWSP.EDU  
WEBSITE: WWW.UWSP.EDU

### Student Body

**Enrollment:** 9,213. **Student Body:** Asian 2%, African American 1%, Caucasian 89%, Hispanic 3%, International 2%, Native American <1%.

### Admissions

**Average high school GPA:** 3.45. 18% in top 10% of high school class, 45% in top 25% of high school class, 88% in top 50% of high school class. ACT middle 50% range 21–25. SAT Math middle 50% range 468–605. SAT Critical Reading middle 50% range 498–595. SAT Writing middle 50% range 460–595. Minimum web-based TOEFL 70.

### Costs and Financial Aid

**Annual in-state tuition:** \$6,298. **Annual out-of-state tuition:** \$13,781.  
**Room & board:** \$6,714. **Required fees:** \$1,279. **Average book expense:** \$500. 52% first-year, 52% undergrads receive need-based scholarship or grant aid. 57% first-year, 87% undergrads receive need-based self-help aid. 74% first-year, 74% undergrads receive any aid. 73% of first-year need met, 67% of undergrad need met. 74% undergrads borrow to pay for school. **Average cumulative indebtedness:** \$24,046.  
**Number of students in Engineering program:** 49  
**Computer science:** 3% of all Bachelor's Degrees awarded in Computer and Information Sciences.

## UNIVERSITY OF WISCONSIN—STOUT

ADMISSIONS UW-STOUT, MENOMONIE, WI 54751  
PHONE: 715-232-1411 • E-MAIL: ADMISSIONS@UWSTOUT.EDU  
WEBSITE: WWW.UWSTOUT.EDU

### Student Body

**Enrollment:** 8,062. **Student Body:** Asian 3%, African American 2%, Caucasian 88%, Hispanic 1%, International 3%, Native American <1%.

### Admissions

**Average high school GPA:** 3.30. 9% in top 10% of high school class, 29% in top 25% of high school class, 69% in top 50% of high school class. ACT middle 50% range 20–24. Minimum paper TOEFL 500.

### Costs and Financial Aid

**Annual in-state tuition:** \$7,014. **Annual out-of-state tuition:** \$14,760.  
**Room & board:** \$6,434. **Required fees:** \$2,011. **Average book expense:** \$396. 52% first-year, 52% undergrads receive need-based scholarship or grant aid. 56% first-year, 91% undergrads receive need-based self-help aid. 71% first-year, 74% undergrads receive any aid. 84% of first-year need met, 82% of undergrad need met. 76% undergrads borrow to pay for school. **Average cumulative indebtedness:** \$23,547.  
**Engineering majors:** computer; polymer/plastics; manufacturing  
5% of all Bachelor's Degrees awarded in Engineering.  
**Computer science:** 6% of all Bachelor's Degrees awarded in Computer and Information Sciences.

## UNIVERSITY OF WYOMING

DEPT 3435, LARAMIE, WY 82071  
PHONE: 307-766-5160 • E-MAIL: ADMISSIONS@UWYO.EDU  
WEBSITE: WWW.UWYO.EDU

### Student Body

**Enrollment:** 9,910. **Student Body:** Asian 1%, African American 1%, Caucasian 78%, Hispanic 7%, International 4%, Native American 1%.

### Admissions

**Average high school GPA:** 3.46. 19% in top 10% of high school class, 48% in top 25% of high school class, 79% in top 50% of high school class. ACT middle 50% range 22–27. SAT Math middle 50% range 470–610. SAT Critical Reading middle 50% range 470–600. Minimum paper TOEFL 540, minimum web-based TOEFL 76.

### Costs and Financial Aid

**Annual in-state tuition:** \$3,390. **Annual out-of-state tuition:** \$13,620.  
**Room & board:** \$9,755. **Required fees:** \$1,256. **Average book expense:** \$1,200. 61% first-year, 61% undergrads receive need-based scholarship or grant aid. 69% first-year, 61% undergrads receive need-based self-help aid. 63% of first-year need met, 60% of undergrad need met. 48% undergrads borrow to pay for school. **Average cumulative indebtedness:** \$21,23.  
**Number of students in Engineering program:** 1,423  
**Engineering majors:** architectural; chemical; civil; computer; electrical; mechanical; petroleum; systems  
10.9% of all Bachelor's Degrees awarded in Engineering.  
**Computer science:** 1% of all Bachelor's Degrees awarded in Computer and Information Sciences.

## UTAH STATE UNIVERSITY

0160 OLD MAIN HILL, LOGAN, UT 84322-0160  
PHONE: 435-797-1079 • E-MAIL: ADMIT@USU.EDU  
WEBSITE: WWW.USU.EDU

### Student Body

**Enrollment:** 21,087. **Student Body:** Asian 1%, African American 1%, Caucasian 81%, Hispanic 6%, International 2%, Native American 2%.

### Admissions

**Average high school GPA:** 3.46. 19% in top 10% of high school class, 42% in top 25% of high school class, 74% in top 50% of high school class. ACT middle 50% range 20–26. SAT Math middle 50% range 450–590. SAT Critical Reading middle 50% range 470–590. Minimum web-based TOEFL 71.

### Costs and Financial Aid

**Annual in-state tuition:** \$5,454. **Annual out-of-state tuition:** \$17,561.  
**Room & board:** \$5,680. **Required fees:** \$930. **Average book expense:** \$1,260. 89% first-year, 89% undergrads receive need-based scholarship or grant aid. 87% first-year, 66% undergrads receive need-based self-help aid. 81% first-year, 80% undergrads receive any aid. 60% of first-year need met, 57% of undergrad need met. 49% undergrads borrow to pay for school. **Average cumulative indebtedness:** \$18,990.  
**Number of students in Engineering program:** 1,810  
**Engineering majors:** engineering; aerospace, aeronautical and astronautical/space; agricultural; chemical; civil; computer; electrical; environmental; mechanical; mining and mineral  
5.8% of all Bachelor's Degrees awarded in Engineering.  
**Computer science:** 3% of all Bachelor's Degrees awarded in Computer and Information Sciences.

## VALPARAISO UNIVERSITY

DUESENBERG WELCOME CENTER, VALPARAISO, IN 46383  
PHONE: 219-464-5011 • E-MAIL: UNDERGRAD.ADMISSION@VALPO.EDU  
WEBSITE: HTTP://WWW.VALPO.EDU

### Student Body

**Enrollment:** 3,219. **Student Body:** Asian 2%, African American 5%, Caucasian 73%, Hispanic 8%, International 8%, Native American <1%.

### Admissions

**Average high school GPA:** 3.67. 35% in top 10% of high school class, 64% in top 25% of high school class, 94% in top 50% of high school class. ACT middle 50% range 23–29. SAT Math middle 50% range 500–620. SAT Critical Reading middle 50% range 500–600. SAT Writing middle 50% range 480–580. Minimum paper TOEFL 550, minimum web-based TOEFL 80.

### Costs and Financial Aid

**Annual tuition:** \$33,680. **Room & board:** \$10,180. **Required fees:** \$1,080. **Average book expense:** \$1,200. 99% first-year, 99% undergrads receive need-based scholarship or grant aid. 99% first-year, 84% undergrads receive need-based self-help aid. 95% first-year, 94% undergrads receive any aid. 89% of first-year need met, 84% of undergrad need met. 74% undergrads borrow to pay for school. **Average cumulative indebtedness:** \$27,312.  
**Number of students in Engineering program:** 472

**Engineering majors:** civil; computer; electrical; mechanical  
8.5% of all Bachelor's Degrees awarded in Engineering.  
**Computer science:** 1% of all Bachelor's Degrees awarded in Computer and Information Sciences.

## VANDERBILT UNIVERSITY

2305 WEST END AVENUE, NASHVILLE, TN 37203  
PHONE: 615-322-2561 • E-MAIL: ADMISSIONS@VANDERBILT.EDU  
WEBSITE: WWW.VANDERBILT.EDU

### Student Body

**Enrollment:** 6,818. **Student Body:** Asian 10%, African American 8%, Caucasian 58%, Hispanic 8%, International 6%, Native American <1%.

### Admissions

**Average high school GPA:** 3.78. 91% in top 10% of high school class, 97% in top 25% of high school class, 100% in top 50% of high school class. 65% from public high schools. ACT middle 50% range 32–34. SAT Math middle 50% range 720–800. SAT Critical Reading middle 50% range 710–780. SAT Writing middle 50% range 680–770. Minimum paper TOEFL 570, minimum web-based TOEFL 100.

### Costs and Financial Aid

**Annual tuition:** \$42,768. **Room & board:** \$14,382. **Required fees:** \$1,774. **Average book expense:** \$1,370. 90% first-year, 90% undergrads receive need-based scholarship or grant aid. 92% first-year, 48% undergrads receive need-based self-help aid. 69% first-year, 65% undergrads receive any aid. 100% of first-year need met, 100% of undergrad need met. 24% undergrads borrow to pay for school. **Average cumulative indebtedness:** \$15,330.  
**Engineering majors:** bioengineering and biomedical; chemical; civil; computer; electrical; science; mechanical; science  
13.3% of all Bachelor's Degrees awarded in Engineering.  
**Computer science:** 1% of all Bachelor's Degrees awarded in Computer and Information Sciences.

## VERMONT TECHNICAL COLLEGE

PO BOX 500, RANDOLPH CENTER, VT 05061  
PHONE: 802-728-1242 • E-MAIL: ADMISSIONS@VTC.EDU  
WEBSITE: HTTP://WWW.VTC.EDU/

### Student Body

**Enrollment:** 1,378.

### Admissions

8% in top 10% of high school class, 27% in top 25% of high school class, 60% in top 50% of high school class. SAT Math middle 50% range 450–560. SAT Critical Reading middle 50% range 410–520. SAT Writing middle 50% range 410–520.

### Costs and Financial Aid

80% first-year, 80% undergrads receive need-based scholarship or grant aid. 74% first-year, 82% undergrads receive need-based self-help aid. 71% of first-year need met, 77% of undergrad need met.  
**Computer science:** 5% of all Bachelor's Degrees awarded in Computer and Information Sciences.

## VILLANOVA UNIVERSITY

AUSTIN HALL, 800 LANCASTER AVENUE, VILLANOVA, PA 19085  
PHONE: 610-519-4000 • E-MAIL: GOTOVU@VILLANOVA.EDU  
WEBSITE: WWW.VILLANOVA.EDU

### Student Body

**Enrollment:** 6,895. **Student Body:** Asian 7%, African American 5%, Caucasian 76%, Hispanic 7%, International 2%, Native American <1%.

### Admissions

**Average high school GPA:** 3.87. 55% in top 10% of high school class, 87% in top 25% of high school class, 98% in top 50% of high school class. 53% from public high schools. ACT middle 50% range 28–31. SAT Math middle 50% range 620–710. SAT Critical Reading middle 50% range 600–690. SAT Writing middle 50% range 600–700. Minimum paper TOEFL 550.

### Costs and Financial Aid

**Annual tuition:** \$45,376. **Room & board:** \$12,278. **Required fees:** \$740. **Average book expense:** \$950. 93% first-year, 93% undergrads receive

need-based scholarship or grant aid. 89% first-year, 93% undergrads receive need-based self-help aid. 67% first-year, 70% undergrads receive any aid. 81% of first-year need met, 80% of undergrad need met. 51% undergrads borrow to pay for school. **Average cumulative indebtedness:** \$23,785.

**Number of students in Engineering program:** 1,056

**Engineering majors:** engineering; chemical; civil; water resources; computer; electrical; mechanical  
0.1% of all Bachelor's Degrees awarded in Engineering.

## VIRGINIA COMMONWEALTH UNIVERSITY

821 WEST FRANKLIN STREET, RICHMOND, VA 23284  
PHONE: 804-828-1222 • E-MAIL: UPGRAD@VCU.EDU  
WEBSITE: WWW.VCU.EDU

### Student Body

**Enrollment:** 22,335. **Student Body:** Asian 12%, African American 18%, Caucasian 50%, Hispanic 8%, International 3%, Native American <1%.

### Admissions

**Average high school GPA:** 3.59. 19% in top 10% of high school class, 47% in top 25% of high school class, 85% in top 50% of high school class. ACT middle 50% range 21–27. SAT Math middle 50% range 500–600. SAT Critical Reading middle 50% range 500–610. SAT Writing middle 50% range 480–590. Minimum paper TOEFL 550, minimum web-based TOEFL 80.

### Costs and Financial Aid

82% first-year, 82% undergrads receive need-based scholarship or grant aid. 78% first-year, 82% undergrads receive need-based self-help aid. 73% first-year, 65% undergrads receive any aid. 52% of first-year need met, 52% of undergrad need met. 66% undergrads borrow to pay for school. **Average cumulative indebtedness:** \$28,391.  
**Number of students in Engineering program:** 1,627  
**Engineering majors:** engineering; bioengineering and biomedical; chemical; computer; electrical; mechanical  
4.7% of all Bachelor's Degrees awarded in Engineering.  
**Computer science:** 5% of all Bachelor's Degrees awarded in Computer and Information Sciences.

## VIRGINIA MILITARY INSTITUTE

VMI OFFICE OF ADMISSIONS, LEXINGTON, VA 24450-0304  
PHONE: 540-464-7211 • E-MAIL: ADMISSIONS@VMI.EDU  
WEBSITE: WWW.VMI.EDU

### Student Body

**Enrollment:** 1,428. **Student Body:** Asian 4%, African American 6%, Caucasian 84%, Hispanic 4%, International 2%, Native American <1%.

### Admissions

**Average high school GPA:** 3.35. 10% in top 10% of high school class, 40% in top 25% of high school class, 82% in top 50% of high school class. 84% from public high schools. ACT middle 50% range 21–26. SAT Math middle 50% range 530–620. SAT Critical Reading middle 50% range 510–620. SAT Writing middle 50% range 480–590. Minimum paper TOEFL 500.

### Costs and Financial Aid

75% first-year, 75% undergrads receive need-based scholarship or grant aid. 75% first-year, 47% undergrads receive need-based self-help aid. 85% first-year, 82% undergrads receive any aid. 91% of first-year need met, 90% of undergrad need met. 52% undergrads borrow to pay for school. **Average cumulative indebtedness:** \$14,068.  
**Number of students in Engineering program:** 393  
**Engineering majors:** civil; electrical; mechanical  
26.8% of all Bachelor's Degrees awarded in Engineering.  
**Computer science:** 1% of all Bachelor's Degrees awarded in Computer and Information Sciences.

## VIRGINIA STATE UNIVERSITY

ONE HAYDEN DRIVE, PETERSBURG, VA 23806  
PHONE: 804-524-5902 • E-MAIL: ADMISS@VSU.EDU  
WEBSITE: WWW.VSU.EDU

### Student Body

**Enrollment:** 4,481. **Student Body:** Asian 0%, African American 85%, Caucasian 3%, Hispanic 2%, International 0%, Native American <1%.



### Admissions

**Average high school GPA:** 2.85. 3% in top 10% of high school class, 17% in top 25% of high school class, 53% in top 50% of high school class. ACT middle 50% range 15–19. SAT Math middle 50% range 380–460. SAT Critical Reading middle 50% range 380–460. SAT Writing middle 50% range 370–440. Minimum paper TOEFL 500.

### Costs and Financial Aid

**Average book expense:** \$1,300. 80% first-year, 80% undergrads receive need-based scholarship or grant aid. 80% first-year, 72% undergrads receive need-based self-help aid. 70% of first-year need met, 65% of undergrad need met. 90% undergrads borrow to pay for school. **Average cumulative indebtedness:** \$25,750.

**Number of students in Engineering program:** 105

**Engineering majors:** computer; manufacturing  
3% of all Bachelor's Degrees awarded in Engineering.

**Computer science:** 2% of all Bachelor's Degrees awarded in Computer and Information Sciences.

## VIRGINIA TECH

UNDERGRADUATE ADMISSIONS, BLACKSBURG, VA 24061

PHONE: 540-231-6267 • E-MAIL: ADMISSIONS@VT.EDU

WEBSITE: WWW.VT.EDU

### Student Body

**Enrollment:** 23,928. **Student Body:** Asian 8%, African American 3%, Caucasian 72%, Hispanic 5%, International 4%, Native American <1%.

### Admissions

41% in top 10% of high school class, 83% in top 25% of high school class, 98% in top 50% of high school class. SAT Math middle 50% range 580–680. SAT Critical Reading middle 50% range 540–640. SAT Writing middle 50% range 540–640. Minimum paper TOEFL 550.

### Costs and Financial Aid

**Average book expense:** \$1,120.

67% first-year, 67% undergrads receive need-based scholarship or grant aid. 70% first-year, 74% undergrads receive need-based self-help aid. 77% first-year, 75% undergrads receive any aid. 60% of first-year need met, 64% of undergrad need met. 55% undergrads borrow to pay for school. **Average cumulative indebtedness:** \$22,884.

**Engineering majors:** engineering; aerospace, aeronautical and astronautical/space; agricultural; chemical; civil; computer; electrical; mechanics; materials; mechanical; mining and mineral; ocean; industrial  
21% of all Bachelor's Degrees awarded in Engineering.

**Computer science:** 2% of all Bachelor's Degrees awarded in Computer and Information Sciences.

## WALLA WALLA UNIVERSITY

OFFICE OF ADMISSIONS, COLLEGE PLACE, WA 99324-1198

PHONE: 509-527-2615 • E-MAIL: INFO@WALLAWALLA.EDU

WEBSITE: WWW.WALLAWALLA.EDU

### Student Body

**Enrollment:** 1,549. **Student Body:** African American 2%, Caucasian 60%, Hispanic 8%, International 2%, Native American 1%.

### Admissions

9% from public high schools. Minimum paper TOEFL 550.

### Costs and Financial Aid

**Annual tuition:** \$23,670. **Room & board:** \$5,655. **Required fees:** \$528.

**Average book expense:** \$1,068. 79% first-year, 79% undergrads receive need-based scholarship or grant aid. 79% first-year, 93% undergrads receive need-based self-help aid. 84% first-year, 83% undergrads receive any aid. 90% of first-year need met, 90% of undergrad need met. 70% undergrads borrow to pay for school. **Average cumulative indebtedness:** \$22,873.

**Engineering majors:** engineering; bioengineering and biomedical  
12.9% of all Bachelor's Degrees awarded in Engineering.

**Computer science:** 1% of all Bachelor's Degrees awarded in Computer and Information Sciences.

## WASHINGTON STATE UNIVERSITY

PO Box 641067, PULLMAN, WA 99164-1067

PHONE: 509-335-5586 • E-MAIL: ADMISSIONS@WSU.EDU

WEBSITE: WWW.WSU.EDU

### Student Body

**Enrollment:** 22,825. **Student Body:** Asian 5%, African American 3%, Caucasian 66%, Hispanic 11%, International 4%, Native American 1%.

### Admissions

**Average high school GPA:** 3.29. 30% in top 10% of high school class, 52% in top 25% of high school class, 83% in top 50% of high school class. 99% from public high schools. ACT middle 50% range 19–25. SAT Math middle 50% range 460–580. SAT Critical Reading middle 50% range 450–570. SAT Writing middle 50% range 440–550. Minimum paper TOEFL 520, minimum web-based TOEFL 68.

### Costs and Financial Aid

75% first-year, 75% undergrads receive need-based scholarship or grant aid. 72% first-year, 69% undergrads receive need-based self-help aid. 72% first-year, 68% undergrads receive any aid. 70% of first-year need met, 72% of undergrad need met. 59% undergrads borrow to pay for school. **Average cumulative indebtedness:** \$21,781.

**Number of students in Engineering program:** 1,230

**Engineering majors:** engineering; agricultural; bioengineering and biomedical; chemical; civil; computer; electrical; science; environmental; materials; mechanical; manufacturing  
9% of all Bachelor's Degrees awarded in Engineering.

**Computer science:** 1% of all Bachelor's Degrees awarded in Computer and Information Sciences.

## WASHINGTON UNIVERSITY IN ST. LOUIS

CAMPUS Box 1089, St. LOUIS, MO 63130-4899

PHONE: 314-935-6000 • E-MAIL: ADMISSIONS@WUSTL.EDU

WEBSITE: WUSTL.EDU

### Student Body

**Enrollment:** 6,913. **Student Body:** Asian 18%, African American 5%, Caucasian 55%, Hispanic 6%, International 8%, Native American <1%.

### Admissions

92% in top 10% of high school class, 99% in top 25% of high school class, 100% in top 50% of high school class. 56% from public high schools. ACT middle 50% range 32–34. SAT Math middle 50% range 720–800. SAT Critical Reading middle 50% range 700–770. SAT Writing middle 50% range 700–770.

### Costs and Financial Aid

**Annual tuition:** \$47,300. **Room & board:** \$15,280. **Required fees:** \$793.

**Average book expense:** \$977. 93% first-year, 93% undergrads receive need-based scholarship or grant aid. 96% first-year, 64% undergrads receive need-based self-help aid. 53% first-year, 53% undergrads receive any aid. 100% of first-year need met, 100% of undergrad need met. 30% undergrads borrow to pay for school. **Average cumulative indebtedness:** \$20,895.

**Engineering majors:** engineering; bioengineering and biomedical; chemical; computer; electrical; mechanical; systems  
16% of all Bachelor's Degrees awarded in Engineering.

**Computer science:** 3% of all Bachelor's Degrees awarded in Computer and Information Sciences.

## WAYNE STATE UNIVERSITY

42 WEST WARREN, DETROIT, MI 48202

PHONE: 313-577-2100 • E-MAIL: ADMISSIONS@WAYNE.EDU

WEBSITE: WWW.WAYNE.EDU

### Student Body

**Enrollment:** 17,242. **Student Body:** Asian 8%, African American 21%, Caucasian 55%, Hispanic 3%, International 2%, Native American <1%.

### Admissions

**Average high school GPA:** 3.28. 21% in top 10% of high school class, 48% in top 25% of high school class, 79% in top 50% of high school class. ACT middle 50% range 20–26. Minimum paper TOEFL 550, minimum web-based TOEFL 79.

### Costs and Financial Aid

**Annual in-state tuition:** \$10,094. **Annual out-of-state tuition:** \$23,117. **Room & board:** \$9,713. **Required fees:** \$1,355. **Average book expense:** \$1,196. 76% first-year, 76% undergrads receive need-based scholarship or grant aid. 78% first-year, 74% undergrads receive need-based self-help aid. 89% first-year, 82% undergrads receive any aid. 57% of first-year need met, 49% of undergrad need met. 60% undergrads borrow to pay for school. **Average cumulative indebtedness:** \$22,032.

**Number of students in Engineering program:** 1,912

**Engineering majors:** bioengineering and biomedical; chemical; civil; electrical; mechanical; industrial  
4% of all Bachelor's Degrees awarded in Engineering.

**Computer science:** 2% of all Bachelor's Degrees awarded in Computer and Information Sciences.

## WEBB INSTITUTE

298 CRESCENT BEACH ROAD, GLEN COVE, NY 11542

PHONE: 516-671-8355 • E-MAIL: ADMISSIONS@WEBB.EDU

WEBSITE: WWW.WEBB.EDU

### Student Body

**Enrollment:** 90. **Student Body:** Asian 9%, African American 0%, Caucasian 84%, Hispanic 0%, International 1%, Native American <1%.

### Admissions

**Average high school GPA:** 4.10. 71% in top 10% of high school class, 21% in top 25% of high school class, 8% in top 50% of high school class. 92% from public high schools. ACT middle 50% range 31–33. SAT Math middle 50% range 680–790. SAT Critical Reading middle 50% range 640–730. SAT Writing middle 50% range 620–710.

### Costs and Financial Aid

**Annual tuition:** \$44,000. **Room & board:** \$14,050. **Required fees:** \$0.

**Average book expense:** \$1,080. 50% first-year, 50% undergrads receive need-based scholarship or grant aid. 100% first-year, 23% first-year, 18% undergrads receive any aid. 33% undergrads borrow to pay for school. **Average cumulative indebtedness:** \$4,500.

**Number of students in Engineering program:** 90

**Engineering majors:** naval architecture and marine  
100% of all Bachelor's Degrees awarded in Engineering.

## WENTWORTH INSTITUTE OF TECHNOLOGY

550 HUNTINGTON AVENUE, BOSTON, MA 02115-5998

PHONE: 617-989-4000 • E-MAIL: ADMISSIONS@WIT.EDU

WEBSITE: WWW.WIT.EDU

### Student Body

**Enrollment:** 4,287. **Student Body:** Asian 7%, African American 5%, Caucasian 61%, Hispanic 3%, International 6%, Native American <1%.

### Admissions

**Average high school GPA:** 3.05. ACT middle 50% range 22–27. SAT Math middle 50% range 530–630. SAT Critical Reading middle 50% range 480–590. SAT Writing middle 50% range 470–570. Minimum paper TOEFL 550, minimum web-based TOEFL 79.

### Costs and Financial Aid

**Annual tuition:** \$29,320. **Room & board:** \$12,840. **Average book expense:** \$1,500. 86% first-year, 86% undergrads receive need-based scholarship or grant aid. 79% first-year, 91% undergrads receive need-based self-help aid. 100% first-year, 96% undergrads receive any aid. 25% of first-year need met, 27% of undergrad need met. 82% undergrads borrow to pay for school. **Average cumulative indebtedness:** \$28,693.

**Number of students in Engineering program:** 1,503

**Engineering majors:** engineering; biomedical/medical; civil; computer; electrical; mechanical; electromechanical  
8% of all Bachelor's Degrees awarded in Engineering.

**Computer science:** 10% of all Bachelor's Degrees awarded in Computer and Information Sciences.

## WEST CHESTER UNIVERSITY OF PENNSYLVANIA

MESSIKOMER HALL, WEST CHESTER, PA 19383

PHONE: 610-436-3411 • E-MAIL: UGADMISS@WCUPA.EDU

WEBSITE: WWW.WCUPA.EDU

### Student Body

**Enrollment:** 13,610. **Student Body:** Asian 2%, African American 10%, Caucasian 80%, Hispanic 5%, International 0%, Native American <1%.

### Admissions

**Average high school GPA:** 3.51. 13% in top 10% of high school class, 39% in top 25% of high school class, 80% in top 50% of high school class. 82% from public high schools. ACT middle 50% range 22–25. SAT Math middle 50% range 500–580. SAT Critical Reading middle 50% range 490–570. SAT Writing middle 50% range 480–570. Minimum paper TOEFL 550, minimum web-based TOEFL 80.

### Costs and Financial Aid

**Annual in-state tuition:** \$6,820. **Annual out-of-state tuition:** \$17,050.

**Room & board:** \$8,042. **Required fees:** \$2,324. **Average book expense:** \$1,200. 47% first-year, 47% undergrads receive need-based scholarship or grant aid. 53% first-year, 88% undergrads receive need-based self-help aid. 80% first-year, 74% undergrads receive any aid. 41% of first-year need met, 50% of undergrad need met. 74% undergrads borrow to pay for school. **Average cumulative indebtedness:** \$23,964.

**Number of students in Engineering program:** 40

**Computer science:** 1% of all Bachelor's Degrees awarded in Computer and Information Sciences.

## WESTERN CAROLINA UNIVERSITY

102 CAMP BUILDING, CULLOWHEE, NC 28723

PHONE: 828-227-7317 • E-MAIL: ADMISS@EMAIL.WCU.EDU

WEBSITE: WWW.WCU.EDU

### Student Body

**Enrollment:** 7,796. **Student Body:** Asian 1%, African American 7%, Caucasian 83%, Hispanic 3%, International 1%, Native American 1%.

### Admissions

**Average high school GPA:** 3.63. 13% in top 10% of high school class, 39% in top 25% of high school class, 78% in top 50% of high school class. ACT middle 50% range 20–24. SAT Math middle 50% range 480–570. SAT Critical Reading middle 50% range 460–560. SAT Writing middle 50% range 440–530. Minimum paper TOEFL 550, minimum web-based TOEFL 79.

### Costs and Financial Aid

**Annual in-state tuition:** \$3,397. **Annual out-of-state tuition:** \$12,994.

**Room & board:** \$6,932. **Required fees:** \$2,528. **Average book expense:** \$758. 97% first-year, 97% undergrads receive need-based scholarship or grant aid. 95% first-year, 76% undergrads receive need-based self-help aid. 68% of first-year need met, 71% of undergrad need met.

**Number of students in Engineering program:** 81

**Engineering majors:** engineering; electrical  
1% of all Bachelor's Degrees awarded in Engineering.

**Computer science:**

1% of all Bachelor's Degrees awarded in Computer and Information Sciences.

## WESTERN ILLINOIS UNIVERSITY

1 UNIVERSITY CIRCLE, MACOMB, IL 61455-1390

PHONE: 309-298-3157 • E-MAIL: ADMISSIONS@WIU.EDU

WEBSITE: HTTP://WWW.WIU.EDU

### Student Body

**Enrollment:** 9,645. **Student Body:** Asian 1%, African American 19%, Caucasian 63%, Hispanic 9%, International 2%, Native American <1%.

### Admissions

**Average high school GPA:** 3.15. 9% in top 10% of high school class, 28% in top 25% of high school class, 63% in top 50% of high school class. 90% from public high schools. ACT middle 50% range 18–23. Minimum paper TOEFL 550, minimum web-based TOEFL 79.

### Costs and Financial Aid

**Annual in-state tuition:** \$8,812. **Annual out-of-state tuition:** \$12,018.  
**Room & board:** \$8,820. **Required fees:** \$2,431. **Average book expense:** \$1,200. 89% first-year, 89% undergrads receive need-based scholarship or grant aid. 80% first-year, 92% undergrads receive need-based self-help aid. 92% first-year, 87% undergrads receive any aid. 60% of first-year need met, 59% of undergrad need met. 80% undergrads borrow to pay for school. **Average cumulative indebtedness:** \$24,363.  
**Number of students in Engineering program:** 153  
**Engineering majors:** engineering  
0.1% of all Bachelor's Degrees awarded in Engineering.  
**Computer science:** 1% of all Bachelor's Degrees awarded in Computer and Information Sciences.

## WESTERN KENTUCKY UNIVERSITY

POTTER HALL 117, BOWLING GREEN, KY 42101-1020

PHONE: 270-745-2551 • E-MAIL: ADMISSION@WKU.EDU

WEBSITE: WWW.WKU.EDU

### Student Body

**Enrollment:** 15,388. **Student Body:** Asian 1%, African American 10%, Caucasian 76%, Hispanic 3%, International 6%, Native American <1%.

### Admissions

**Average high school GPA:** 3.26. 25% in top 10% of high school class, 48% in top 25% of high school class, 75% in top 50% of high school class. ACT middle 50% range 19–26. SAT Math middle 50% range 440–570. SAT Critical Reading middle 50% range 440–560. Minimum paper TOEFL 525, minimum web-based TOEFL 71.

### Costs and Financial Aid

**Annual in-state tuition:** \$9,140. **Annual out-of-state tuition:** \$23,352.  
**Room & board:** \$7,171. **Average book expense:** \$1,000.  
63% first-year, 63% undergrads receive need-based scholarship or grant aid. 67% first-year, 74% undergrads receive need-based self-help aid. 91% first-year, 87% undergrads receive any aid. 29% of first-year need met, 28% of undergrad need met. 62% undergrads borrow to pay for school. **Average cumulative indebtedness:** \$25,580.  
**Number of students in Engineering program:** 984  
**Engineering majors:** civil; electrical; mechanical  
2.3% of all Bachelor's Degrees awarded in Engineering.  
**Computer science:** 2% of all Bachelor's Degrees awarded in Computer and Information Sciences.

## WESTERN MICHIGAN UNIVERSITY

1903 W. MICHIGAN AVENUE, KALAMAZOO, MI 49008-5211

PHONE: 269-387-2000 • E-MAIL: ASK-WMU@WMICH.EDU

WEBSITE: HTTP://WWW.WMICH.EDU

### Student Body

**Enrollment:** 18,450. **Student Body:** Asian 2%, African American 12%, Caucasian 73%, Hispanic 5%, International 3%, Native American <1%.

### Admissions

**Average high school GPA:** 3.35. 12% in top 10% of high school class, 33% in top 25% of high school class, 72% in top 50% of high school class. ACT middle 50% range 19–25. Minimum paper TOEFL 550, minimum web-based TOEFL 80.

### Costs and Financial Aid

**Annual in-state tuition:** \$9,794. **Annual out-of-state tuition:** \$24,026.  
**Room & board:** \$8,943. **Required fees:** \$1,191. **Average book expense:** \$918. 69% first-year, 69% undergrads receive need-based scholarship or grant aid. 69% first-year, 93% undergrads receive need-based self-help aid. 83% first-year, 84% undergrads receive any aid. 79% of first-year need met, 75% of undergrad need met. 64% undergrads borrow to pay for school. **Average cumulative indebtedness:** \$26,916.  
**Number of students in Engineering program:** 2,681  
**Engineering majors:** aerospace, aeronautical and astronautical/space; chemical; civil; structural; computer; electrical; mechanical; industrial; paper science  
5.8% of all Bachelor's Degrees awarded in Engineering.  
**Computer science:** 2% of all Bachelor's Degrees awarded in Computer and Information Sciences.

## WESTERN NEW ENGLAND UNIVERSITY

ADMISSIONS OFFICE, SPRINGFIELD, MA 01119

PHONE: 413-782-1321 • E-MAIL: LEARN@WNE.EDU

### Student Body

**Enrollment:** 2,648. **Student Body:** Asian 3%, African American 5%, Caucasian 77%, Hispanic 8%, International 2%, Native American <1%.

### Admissions

**Average high school GPA:** 3.32. 17% in top 10% of high school class, 44% in top 25% of high school class, 74% in top 50% of high school class. ACT middle 50% range 22–26. SAT Math middle 50% range 490–610. SAT Critical Reading middle 50% range 470–570. Minimum paper TOEFL 550, minimum web-based TOEFL 79.

### Costs and Financial Aid

**Annual tuition:** \$30,780. **Room & board:** \$12,570. **Required fees:** \$2,240. **Average book expense:** \$1,240. 100% first-year, 100% undergrads receive need-based scholarship or grant aid. 100% first-year, 90% undergrads receive need-based self-help aid. 97% first-year, 93% undergrads receive any aid. 73% of first-year need met, 70% of undergrad need met.  
**Number of students in Engineering program:** 540  
**Engineering majors:** pre-engineering; biomedical/medical; civil; computer; electrical; mechanical; industrial; mechanical  
14.6% of all Bachelor's Degrees awarded in Engineering.  
**Computer science:** 2% of all Bachelor's Degrees awarded in Computer and Information Sciences.

## WESTFIELD STATE UNIVERSITY

WESTFIELD STATE UNIVERSITY, WESTFIELD, MA 01086

PHONE: 413-572-5218 • E-MAIL: ADMISSIONS@WESTFIELD.MA.EDU

WEBSITE: WWW.WESTFIELD.MA.EDU

### Student Body

**Enrollment:** 5,429. **Student Body:** Asian 1%, African American 4%, Caucasian 78%, Hispanic 8%, International 0%, Native American <1%.

### Admissions

**Average high school GPA:** 3.10. ACT middle 50% range 18–23. SAT Math middle 50% range 460–550. SAT Critical Reading middle 50% range 450–540. SAT Writing middle 50% range 440–540. Minimum paper TOEFL 550, minimum web-based TOEFL 79.

### Costs and Financial Aid

**Annual in-state tuition:** \$970. **Annual out-of-state tuition:** \$7,050. **Room & board:** \$9,615. **Required fees:** \$7,712. **Average book expense:** \$1,200. 73% first-year, 73% undergrads receive need-based scholarship or grant aid. 71% first-year, 97% undergrads receive need-based self-help aid. 66% first-year, 67% undergrads receive any aid. 57% of first-year need met, 56% of undergrad need met. 79% undergrads borrow to pay for school. **Average cumulative indebtedness:** \$23,743.  
**Computer science:** 2% of all Bachelor's Degrees awarded in Computer and Information Sciences.

## WEST TEXAS A&M UNIVERSITY

PO Box 60907, CANYON, TX 79016-0001

PHONE: 806-651-2020 • E-MAIL: ADMISSIONS@MAIL.WTAMU.EDU

WEBSITE: WWW.WTAMU.EDU

### Student Body

**Enrollment:** 7,123. **Student Body:** Asian 1%, African American 6%, Caucasian 62%, Hispanic 25%, International 2%, Native American 1%.

### Admissions

15% in top 10% of high school class, 39% in top 25% of high school class, 75% in top 50% of high school class. 97% from public high schools. ACT middle 50% range 18–23. SAT Math middle 50% range 440–550. SAT Critical Reading middle 50% range 420–530. Minimum paper TOEFL 520, minimum web-based TOEFL 190.

### Costs and Financial Aid

**Annual in-state tuition:** \$5,022. **Annual out-of-state tuition:** \$6,533. **Room & board:** \$7,196. **Required fees:** \$1,242. **Average book expense:** \$1,000. 80% first-year, 80% undergrads receive need-based scholarship or grant aid. 76% first-year, 92% undergrads receive need-based self-help aid. 52% first-year,

53% undergrads receive any aid. 80% of first-year need met, 81% of undergrad need met. 86% undergrads borrow to pay for school. **Average cumulative indebtedness:** \$21,787.

**Number of students in Engineering program:** 487

**Engineering majors:** mechanical; pre-engineering; civil; environmental  
2.8% of all Bachelor's Degrees awarded in Engineering.

## WEST VIRGINIA UNIVERSITY

ADMISSIONS OFFICE, MORGANTOWN, WV 26506-6009

PHONE: 304-293-2121 • E-MAIL: GO2WVU@MAIL.WVU.EDU

WEBSITE: WWW.WVU.EDU

### Student Body

**Enrollment:** 21,945. **Student Body:** Asian 2%, African American 5%, Caucasian 81%, Hispanic 4%, International 5%, Native American <1%.

### Admissions

**Average high school GPA:** 3.42. 19% in top 10% of high school class, 44% in top 25% of high school class, 79% in top 50% of high school class. ACT middle 50% range 21–26. SAT Math middle 50% range 480–580. SAT Critical Reading middle 50% range 460–560. Minimum paper TOEFL 550, minimum web-based TOEFL 61.

### Costs and Financial Aid

**Annual in-state tuition:** \$6,960. **Annual out-of-state tuition:** \$20,424. **Room & board:** \$9,582. **Average book expense:** \$1,100. 53% first-year, 53% undergrads receive need-based scholarship or grant aid. 99% first-year, 75% undergrads receive need-based self-help aid. 72% first-year, 75% undergrads receive any aid. 72% of first-year need met, 75% of undergrad need met. 47% undergrads borrow to pay for school. **Average cumulative indebtedness:** \$22,139.

**Number of students in Engineering program:** 3,826

**Engineering majors:** engineering; aerospace, aeronautical and astronautical/space; bioengineering and biomedical; chemical; civil; computer; computer software; electrical; environmental; mechanical; mining and mineral; petroleum; systems; industrial

11.9% of all Bachelor's Degrees awarded in Engineering.

**Computer science:** 1% of all Bachelor's Degrees awarded in Computer and Information Sciences.

## WEST VIRGINIA UNIVERSITY INSTITUTE OF TECHNOLOGY

BOX 10 OLD MAIN, MONTGOMERY, WV 25136

PHONE: 304-442-3167 • E-MAIL: ADMISSIONS@WVUTECH.EDU

WEBSITE: WWW.WVUTECH.EDU

### Student Body

**Enrollment:** 2,001. **Student Body:** Asian 1%, African American 8%, Caucasian 87%, Hispanic 1%, International 4%, Native American <1%.

### Admissions

**Average high school GPA:** 3.16. 20% in top 10% of high school class, 21% in top 25% of high school class, 43% in top 50% of high school class. 88% from public high schools. ACT middle 50% range 17–23. SAT Math middle 50% range 400–580. SAT Critical Reading middle 50% range 380–530. Minimum paper TOEFL 500.

### Costs and Financial Aid

**Annual in-state tuition:** \$3,200. **Annual out-of-state tuition:** \$8,400. **Room & board:** \$4,896. **Required fees:** \$0. **Average book expense:** \$800. 78% first-year, 78% undergrads receive need-based scholarship or grant aid. 78% first-year, 69% undergrads receive need-based self-help aid. 96% of first-year need met, 90% of undergrad need met. 47% undergrads borrow to pay for school. **Average cumulative indebtedness:** \$14,057.

23% of all Bachelor's Degrees awarded in Engineering.

**Computer science:** 3% of all Bachelor's Degrees awarded in Computer and Information Sciences.

## WICHITA STATE UNIVERSITY

1845 FAIRMOUNT, WICHITA, KS 67260

PHONE: 316-978-3085 • E-MAIL: ADMISSIONS@WICHITA.EDU

WEBSITE: WWW.WICHITA.EDU

### Student Body

**Enrollment:** 11,299. **Student Body:** Asian 7%, African American 6%, Caucasian 63%, Hispanic 10%, International 6%, Native American 1%.

### Admissions

**Average high school GPA:** 3.45. 21% in top 10% of high school class, 48% in top 25% of high school class, 80% in top 50% of high school class. ACT middle 50% range 21–26. SAT Math middle 50% range 510–610. SAT Critical Reading middle 50% range 480–620. Minimum paper TOEFL 530, minimum web-based TOEFL 72.

### Costs and Financial Aid

**Annual in-state tuition:** \$5,869. **Annual out-of-state tuition:** \$13,903.

**Room & board:** \$8,373. **Required fees:** \$1,396. **Average book expense:** \$975. 73% first-year, 73% undergrads receive need-based scholarship or grant aid. 64% first-year, 77% undergrads receive need-based self-help aid. 58% first-year, 85% undergrads receive any aid. 58% of first-year need met, 63% of undergrad need met. 68% undergrads borrow to pay for school. **Average cumulative indebtedness:** \$22,863.

**Number of students in Engineering program:** 2,101

**Engineering majors:** engineering; aerospace, aeronautical and astronautical/space; bioengineering and biomedical; computer; computer software; computer engineering; electrical; mechanical; industrial; manufacturing; aerospace, aeronautical and astronautical/space

11% of all Bachelor's Degrees awarded in Engineering.

## WIDENER UNIVERSITY

ONE UNIVERSITY PLACE, CHESTER, PA 19013

PHONE: 610-499-4126 • E-MAIL: ADMISSIONS.OFFICE@WIDENER.EDU

WEBSITE: WWW.WIDENER.EDU

### Student Body

**Enrollment:** 3,218. **Student Body:** Asian 4%, African American 13%, Caucasian 70%, Hispanic 5%, International 4%, Native American <1%.

### Admissions

**Average high school GPA:** 3.46. 12% in top 10% of high school class, 36% in top 25% of high school class, 73% in top 50% of high school class. 55% from public high schools. ACT middle 50% range 19–24. SAT Math middle 50% range 470–580. SAT Critical Reading middle 50% range 450–550. Minimum paper TOEFL 500.

### Costs and Financial Aid

**Annual tuition:** \$39,052. **Room & board:** \$12,588. **Required fees:** \$778.

**Average book expense:** \$1,300. 97% first-year, 97% undergrads receive need-based scholarship or grant aid. 97% first-year, 93% undergrads receive need-based self-help aid. 99% first-year, 90% undergrads receive any aid. 81% of first-year need met, 77% of undergrad need met.

**Number of students in Engineering program:** 439

**Engineering majors:** engineering; bioengineering and biomedical; chemical; civil; electrical; mechanical

12% of all Bachelor's Degrees awarded in Engineering.

**Computer science:** 2% of all Bachelor's Degrees awarded in Computer and Information Sciences.

## WILKES UNIVERSITY

84 W SOUTH ST, WILKES-BARRE, PA 18766

PHONE: 570-408-4400 • E-MAIL: ADMISSIONS@WILKES.EDU

WEBSITE: WWW.WILKES.EDU

### Student Body

**Enrollment:** 2,316. **Student Body:** Asian 2%, African American 3%, Caucasian 74%, Hispanic 6%, International 9%, Native American <1%.

### Admissions

25% in top 10% of high school class, 53% in top 25% of high school class, 82% in top 50% of high school class. SAT Math middle 50% range 470–590. SAT Critical Reading middle 50% range 460–570. SAT Writing middle 50% range 440–560. Minimum paper TOEFL 500, minimum web-based TOEFL 61.

### Costs and Financial Aid

**Annual tuition:** \$29,750. **Room & board:** \$12,808. **Required fees:** \$1,512. **Average book expense:** \$1,500. 99% first-year, 99% undergrads receive need-based scholarship or grant aid. 97% first-year, 90% undergrads receive need-based self-help aid. 96% first-year, 89% undergrads receive any aid. 75% of first-year need met, 73% of undergrad need met. 86% undergrads borrow to pay for school. **Average cumulative indebtedness:** \$26,033. **Number of students in Engineering program:** 403 **Engineering majors:** electrical; environmental; mechanical 9% of all Bachelor's Degrees awarded in Engineering. **Computer science:** 1% of all Bachelor's Degrees awarded in Computer and Information Sciences.

## WINONA STATE UNIVERSITY

175 MARK STREET, WINONA, MN 55987

PHONE: 507-457-5100 • E-MAIL: ADMISSIONS@WINONA.EDU

WEBSITE: WWW.WINONA.EDU

### Student Body

**Enrollment:** 8,077. **Student Body:** Asian 2%, African American 2%, Caucasian 88%, Hispanic 3%, International 2%, Native American <1%.

### Admissions

**Average high school GPA:** 3.31. 8% in top 10% of high school class, 31% in top 25% of high school class, 72% in top 50% of high school class. ACT middle 50% range 21–25. Minimum paper TOEFL 520, minimum web-based TOEFL 68.

### Costs and Financial Aid

**Annual in-state tuition:** \$6,860. **Annual out-of-state tuition:** \$12,360. **Room & board:** \$7,890. **Required fees:** \$1,890. **Average book expense:** \$1,200. 72% first-year, 72% undergrads receive need-based scholarship or grant aid. 68% first-year, 88% undergrads receive need-based self-help aid. 61% first-year, 60% undergrads receive any aid. 48% of first-year need met, 50% of undergrad need met. 76% undergrads borrow to pay for school. **Number of students in Engineering program:** 176 **Engineering majors:** materials 1% of all Bachelor's Degrees awarded in Engineering. **Computer science:** 2% of all Bachelor's Degrees awarded in Computer and Information Sciences.

## WINSTON-SALEM STATE UNIVERSITY

601 MLK, JR. DRIVE, WINSTON-SALEM, NC 27110

PHONE: 336-750-2070 • E-MAIL: ADMISSIONS@WSSU1.ADP.WSSU.EDU

WEBSITE: WWW.WSSU.EDU

### Student Body

**Enrollment:** 5,254. **Student Body:** Asian 1%, African American 84%, Caucasian 12%, Hispanic 1%, International 0%, Native American <1%.

### Costs and Financial Aid

**Annual in-state tuition:** \$1,631. **Annual out-of-state tuition:** \$8,049. **Room & board:** \$3,403. **Required fees:** \$863. 83% first-year, 83% undergrads receive need-based scholarship or grant aid. 92% first-year, 88% undergrads receive need-based self-help aid. 69% of first-year need met, 82% of undergrad need met. **Computer science:** 5% of all Bachelor's Degrees awarded in Computer and Information Sciences.

## WINTHROP UNIVERSITY

ADMISSIONS, WINTHROP UNIVERSITY, ROCK HILL, SC 29733

PHONE: 803-323-2191 • E-MAIL: ADMISSIONS@WINTHROP.EDU

WEBSITE: WWW.WINTHROP.EDU

### Student Body

**Enrollment:** 4,653. **Student Body:** Asian 1%, African American 30%, Caucasian 58%, Hispanic 4%, International 3%, Native American <1%.

### Admissions

**Average high school GPA:** 3.91. ACT middle 50% range 19–26. SAT Math middle 50% range 470–580. SAT Critical Reading middle 50% range 470–590. Minimum paper TOEFL 520, minimum web-based TOEFL 68.

### Costs and Financial Aid

**Annual in-state tuition:** \$13,812. **Annual out-of-state tuition:** \$26,738. **Room & board:** \$8,182. **Required fees:** \$0. **Average book expense:** \$1,000. 99% first-year, 99% undergrads receive need-based scholarship or grant aid. 89% first-year, 82% undergrads receive need-based self-help aid. 70% first-year, 83% undergrads receive any aid. 64% of first-year need met, 58% of undergrad need met. 78% undergrads borrow to pay for school. **Average cumulative indebtedness:** \$28,695.

## WORCESTER POLYTECHNIC INSTITUTE

ADMISSIONS OFFICE, BARTLETT CENTER, WORCESTER, MA 01609

PHONE: 508-831-5286 • E-MAIL: ADMISSIONS@WPI.EDU

WEBSITE: HTTP://WWW.WPI.EDU

### Student Body

**Enrollment:** 4,123. **Student Body:** Asian 5%, African American 2%, Caucasian 62%, Hispanic 8%, International 13%, Native American <1%.

### Admissions

**Average high school GPA:** 3.80. 68% in top 10% of high school class, 92% in top 25% of high school class, 100% in top 50% of high school class. 66% from public high schools. ACT middle 50% range 28–32. SAT Math middle 50% range 640–740. SAT Critical Reading middle 50% range 570–670. SAT Writing middle 50% range 570–670. Minimum paper TOEFL 550, minimum web-based TOEFL 79.

### Costs and Financial Aid

**Annual tuition:** \$43,612. **Room & board:** \$13,082. **Required fees:** \$810. **Average book expense:** \$1,000. 100% first-year, 100% undergrads receive need-based scholarship or grant aid. 95% first-year, 57% undergrads receive need-based self-help aid. 98% first-year, 95% undergrads receive any aid. 79% of first-year need met, 77% of undergrad need met. **Average cumulative indebtedness:** \$26,143. **Number of students in Engineering program:** 2,737 **Engineering majors:** engineering; aerospace, aeronautical and astronautical/space; architectural; bioengineering and biomedical; chemical; civil; computer; electrical; physics; environmental; mechanical; industrial; electrical; mechanical 72.3% of all Bachelor's Degrees awarded in Engineering. **Computer science:** 5% of all Bachelor's Degrees awarded in Computer and Information Sciences.

## WRIGHT STATE UNIVERSITY

3640 COLONEL GLENN HIGHWAY, DAYTON, OH 45435

PHONE: 937-775-5700 • E-MAIL: ADMISSIONS@WRIGHT.EDU

WEBSITE: WWW.WRIGHT.EDU

### Student Body

**Enrollment:** 12,090. **Student Body:** Asian 2%, African American 13%, Caucasian 72%, Hispanic 3%, International 6%, Native American <1%.

### Admissions

**Average high school GPA:** 3.20. 15% in top 10% of high school class, 36% in top 25% of high school class, 67% in top 50% of high school class. 90% from public high schools. ACT middle 50% range 18–25. SAT Math middle 50% range 450–570. SAT Critical Reading middle 50% range 450–590. SAT Writing middle 50% range 430–550. Minimum web-based TOEFL 61.

### Costs and Financial Aid

**Annual in-state tuition:** \$8,730. **Annual out-of-state tuition:** \$16,910. **Room & board:** \$9,108. **Average book expense:** \$1,008. 87% first-year, 87% undergrads receive need-based scholarship or grant aid. 79% first-year, 92% undergrads receive need-based self-help aid. 87% first-year, 75% undergrads receive any aid. 70% of first-year need met, 62% of undergrad need met. 71% undergrads borrow to pay for school. **Average cumulative indebtedness:** \$27,757. **Number of students in Engineering program:** 2,406 **Engineering majors:** engineering; biomedical/medical; bioengineering and biomedical; computer; computer software; electrical; physics; science; materials; mechanical; industrial 9% of all Bachelor's Degrees awarded in Engineering. **Computer science:** 3% of all Bachelor's Degrees awarded in Computer and Information Sciences.

# YALE UNIVERSITY

PO Box 208234, New Haven, CT 06521-8234

PHONE: 203-432-9300 • E-MAIL: STUDENT.QUESTIONS@YALE.EDU

WEBSITE: WWW.YALE.EDU

## Student Body

**Enrollment:** 5,422. **Student Body:** Asian 16%, African American 7%, Caucasian 47%, Hispanic 10%, International 11%, Native American 1%.

## Admissions

95% in top 10% of high school class, 99% in top 25% of high school class, 100% in top 50% of high school class. 57% from public high schools. ACT middle 50% range 31–35. SAT Math middle 50% range 710–790. SAT Critical Reading middle 50% range 710–800. SAT Writing middle 50% range 720–800. Minimum paper TOEFL 600, minimum web-based TOEFL 100.

## Costs and Financial Aid

**Annual tuition:** \$44,000. **Room & board:** \$13,500. **Required fees:** \$0. **Average book expense:** \$1,200. 100% first-year, 100% undergrads receive need-based scholarship or grant aid. 100% first-year, 87% undergrads receive need-based self-help aid. 51% first-year, 52% undergrads receive any aid. 100% of first-year need met, 100% of undergrad need met. 16% undergrads borrow to pay for school. **Average cumulative indebtedness:** \$12,729.

**Engineering majors:** bioengineering and biomedical; chemical; electrical; physics; science; environmental; mechanical

4% of all Bachelor's Degrees awarded in Engineering.

**Computer science:** 2% of all Bachelor's Degrees awarded in Computer and Information Sciences.

# YORK COLLEGE OF PENNSYLVANIA

441 COUNTRY CLUB ROAD, YORK, PA 17403-3651

PHONE: 717-849-1600 • E-MAIL: ADMISSIONS@YCP.EDU

WEBSITE: WWW.YCP.EDU

## Student Body

**Enrollment:** 4,847. **Student Body:** Asian 1%, African American 5%, Caucasian 83%, Hispanic 5%, International 0%, Native American <1%.

## Admissions

**Average high school GPA:** 3.54. 12% in top 10% of high school class, 40% in top 25% of high school class, 77% in top 50% of high school class. ACT middle 50% range 20–25. SAT Math middle 50% range 480–578. SAT Critical Reading middle 50% range 470–560. SAT Writing middle 50% range 450–550. Minimum paper TOEFL 530, minimum web-based TOEFL 72.

## Costs and Financial Aid

**Annual tuition:** \$15,350. **Room & board:** \$9,580. **Required fees:** \$1,660.

**Average book expense:** \$1,200.

61% first-year, 61% undergrads receive need-based scholarship or grant aid. 67% first-year, 88% undergrads receive need-based self-help aid. 99% first-year, 89% undergrads receive any aid. 69% of first-year need met, 66% of undergrad need met. 82% undergrads borrow to pay for school. **Average cumulative indebtedness:** \$25,140.

**Number of students in Engineering program:** 324

**Engineering majors:** computer; electrical; mechanical

3.6% of all Bachelor's Degrees awarded in Engineering.

**Computer science:** 1% of all Bachelor's Degrees awarded in Computer and Information Sciences.

## SCHOOL SAYS

In this section you'll find schools with extended listings describing admissions, curricula, internships, and much more. This is your chance to get in-depth information on programs that interest you. The Princeton Review charges each school a small fee to be listed, and the editorial responsibility is solely that of the university.

Bucknell University

# COLLEGE OF ENGINEERING

## MAJORS

Biomedical engineering  
Chemical engineering  
Civil engineering  
Computer engineering  
Computer science  
& engineering  
Electrical engineering  
Environmental engineering  
Mechanical engineering

## FIVE-YEAR, DUAL DEGREE PROGRAMS

Engineering & Bachelor of Arts  
Engineering & Bachelor of Science  
in Business Administration  
Bachelor of Science &  
Master of Science



**BUCKNELL'S COLLEGE OF ENGINEERING** is consistently ranked among the best in the country. Why? Our students receive a personal education and go on to become leaders in their careers and their communities.

### AS A BUCKNELL ENGINEERING STUDENT, YOU COULD:

- » Do undergraduate research in collaboration with a faculty mentor
- » Present your work at professional conferences
- » Volunteer locally, nationally or abroad
- » Explore your interests outside engineering
- » Become a campus leader
- » Gain career experience through internships
- » Join a close-knit and supportive campus community

### YOU'LL GRADUATE READY FOR A SUCCESSFUL CAREER AND A FULFILLING LIFE.

- » **97 percent** of engineering graduates in the Class of 2014 reported being employed, enrolled in graduate school, both employed and in graduate school, volunteering or engaged in another activity within nine months of graduation.\*
- » Mean starting salary for Class of 2014 engineering graduates — **\$63,663**

**Bucknell**  
UNIVERSITY

LEWISBURG, PA.

(about three hours from New York,  
Philadelphia, Baltimore and  
Washington, D.C.)

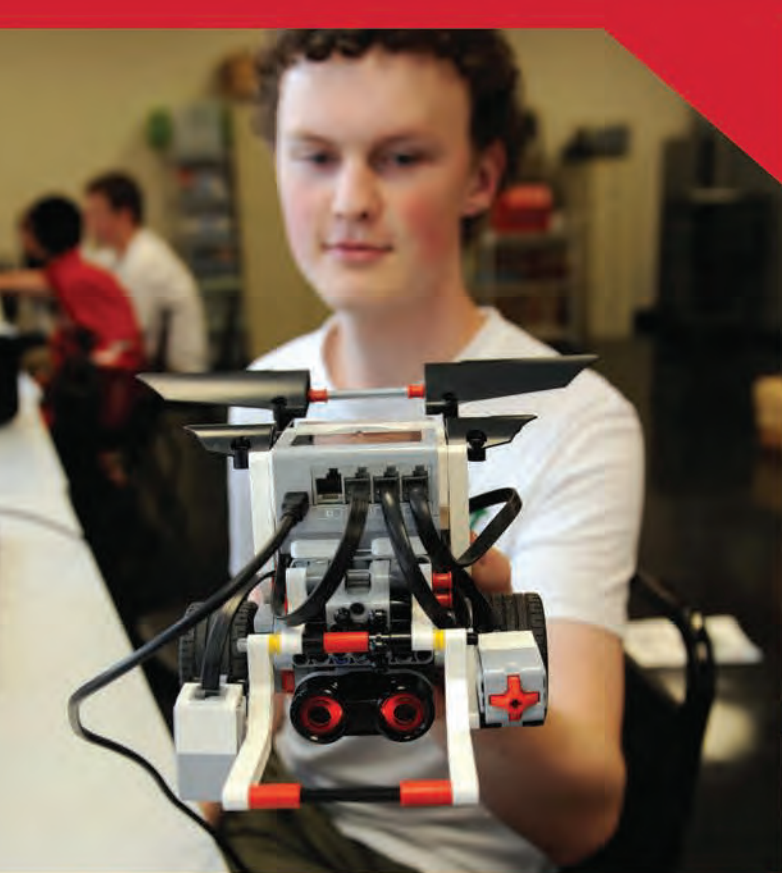
## TELL US about yourself:



**BUCKNELL.EDU/NACME**

\*Bucknell University Class of 2014 PostGraduate Survey. One hundred percent of engineering graduates responded to the survey. Forty-eight percent of the 99 percent of the class responding to the postgraduate survey supplied salary information.





## UNDERGRADUATE DEGREES/CONCENTRATIONS IN:



Chemical Engineering  
Civil Engineering  
Electrical Engineering  
Mechanical Engineering

Biochemical Engineering  
Computer Engineering  
Electronics & Systems  
Engineering Management  
Information Management  
Packaging Engineering  
Sustainability  
Video Game Design

- State-of-the-art laboratories & hands-on curriculum
- Internship & undergraduate research opportunities

# engineering dreams into careers



650 EAST PARKWAY SOUTH • MEMPHIS, TN 38104  
[www.cbu.edu](http://www.cbu.edu) (901) 321-3205

## MASTER OF SCIENCE IN ENGINEERING MANAGEMENT

consists of 11 courses – ONLINE OR ONSITE

- Provides a unique set of skills, education, and experience to lead and manage "knowledge workers" such as engineers, scientists, and other technical professionals
- Technical electives in various areas including quality of medical devices, packaging engineering, and information technology
- Graduate Certificate consists of three approved courses (nine semester hours)
- Networking opportunities with technical professionals



[cbu.edu/engineering](http://cbu.edu/engineering) • [cbu.edu/msem](http://cbu.edu/msem)



## Introduction

Founded in 1754, Columbia University is home to the fifth established college and the third oldest engineering school in the US. Columbia's legacy of historic innovation has yielded unequalled results: 82 Nobel Laureates (more than any other Ivy League university), with 8 Nobel winners and over 60 members of the National Academies of Science and Engineering currently on faculty. Columbia is the birthplace of FM radio and MPEG-2 technology, and the fields of plate tectonics, modern genetics and modern robotics all started here. Columbia offers a traditional, cohesive residential campus located in Manhattan, and the opportunities for research, internships and cultural experiences are endless.

## Community

The 1,500 engineering students (and 6,000 total undergraduates) who comprise the undergraduate student body reflect multiple forms of diversity and are guaranteed 4 years of campus housing (nearly all undergraduates live on campus). Columbia is home to one of the largest international populations of any US university and has historically been known to be one of the most diverse schools in the country. Students hail from all 50 states and over 90 countries; over 50% of students self-identify as students of color; and women comprise nearly 45% of the first-year engineering class. From athletics to music and theater to professional societies and publications, Columbia offers over 500 clubs and organizations.

## "More complete and true engineers"

Every student is exposed to the liberal arts through Columbia's unique and celebrated Core Curriculum and over 20 liberal arts minors, becoming "more complete and true engineers." Students learn from faculty that are at the top of their fields in the nearly 100 majors at Columbia, exploring the social, historical and philosophical background of the world they go on to change—following in the footsteps of Columbia engineers such as William Barclay Parsons, Chief Engineer of the New York subway system; Alvin Roth, Nobel Prize winner in Economics; Langston Hughes, great American poet; Ursula Burns, CEO of Xerox; and current Professor of Professional Practice and former NASA Astronaut Michael Massimino.

In the first year, all students enroll in *The Art of Engineering*, a hands-on engineering course that requires a semester-long group project where students work to solve real engineering problems. Students who wish to apply their ideas and skills are nurtured through a host of programs. A minor in Entrepreneurship and Innovation will teach students the fundamentals of starting one's own enterprise, Columbia Entrepreneurship Coaches Network connects students with alumni entrepreneurs and students can engage in a variety of entrepreneurial-related organizations and competitions.

## Research

With the vast resources of a world-class research university that generates \$1 billion of research funds annually, Columbia Engineers have unparalleled access to faculty and research as early as their first year at our over 200 research facilities. Some students are admitted with a guarantee of 4 years of undergraduate research and mentorship. Programs such as the Student Research Involvement Program feature hundreds of positions open only to undergraduates. Students also participate in cutting-edge interdisciplinary research, such as human tissue engineering with Columbia's famed medical school faculty and financial engineering with the Columbia Business School.

## Columbia is Affordable

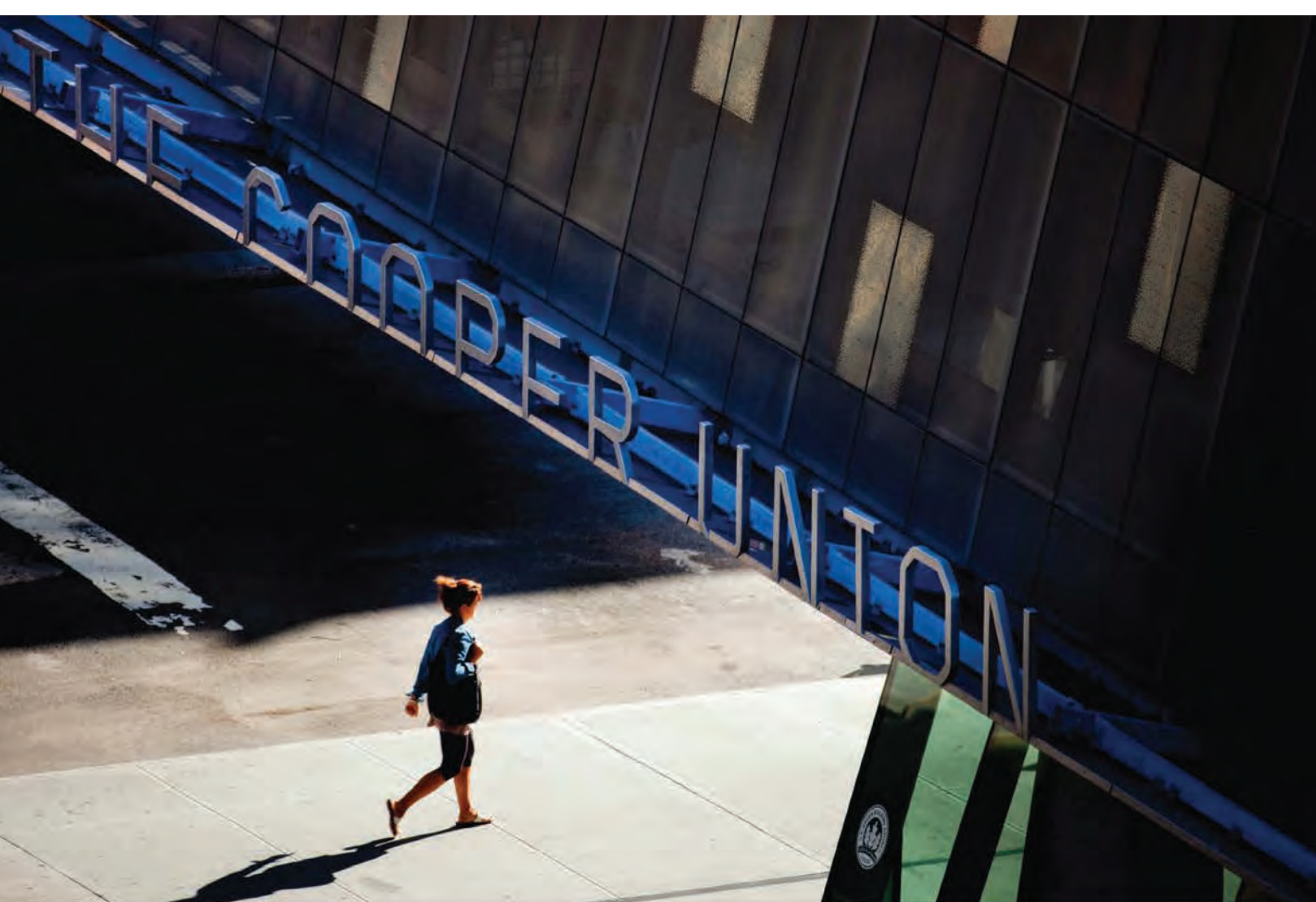
Columbia undergraduates receive over \$134 million in need-based financial aid each year and **we meet 100% of the financial need of every admitted first-year student for all four years.** Our need-based aid is in the form of grants and work-study positions. Loans are not a component of Columbia financial aid packages. For students coming from families with calculated income less than \$60,000 annually (and typical assets), their parents are not expected to contribute to the cost of attendance. Students coming from families with calculated income between \$60,000 and \$100,000 annually (and typical assets) have a significantly reduced parent contribution. **We strive to make Columbia accessible to students from every socioeconomic background.**

## Contact us:

**Columbia University in the City of New York  
Office of Undergraduate Admissions  
212 Hamilton Hall, Mail Code 2807  
1130 Amsterdam Avenue  
New York, NY 10027  
212-854-2522  
ugrad-ask@columbia.edu**

<http://undergrad.admissions.columbia.edu>





NYC

ARCHITECTURE  
ART  
ENGINEERING

Challenging and supportive environment  
that encourages innovation, creativity and collaboration

[cooper.edu/admissions](https://cooper.edu/admissions)



THE COOPER UNION  
FOR THE ADVANCEMENT OF SCIENCE AND ART

THE COOPER UNION

# THE COLLEGE **THAT** BUILDS **NEW YORK.**



For more than 160 years, Manhattan College has been delivering on the Lasallian Catholic promise of educating tomorrow's leaders in arts, business, education and health, engineering and the sciences, all on a residential campus only a subway ride away from midtown Manhattan. Students enjoy a rich, supportive and diverse student life thanks to the power and opportunity of our New York City location.

**Visit us at [manhattan.edu](http://manhattan.edu) to learn more about our inspiring academic offerings.**



**MANHATTAN  
COLLEGE**



# MEET EMILY HERNANDEZ

**Robotics whiz.**

**Intel intern.**

**Girls Who Code mentor.**

**STEM champion.**

As a mentor and student recruiter at Missouri University of Science and Technology, Emily is helping minorities break down roadblocks to success.

**WE NEED MORE EMILYS.**

**WE NEED YOU.**

MISSOURI  
**S&T**

MST.EDU

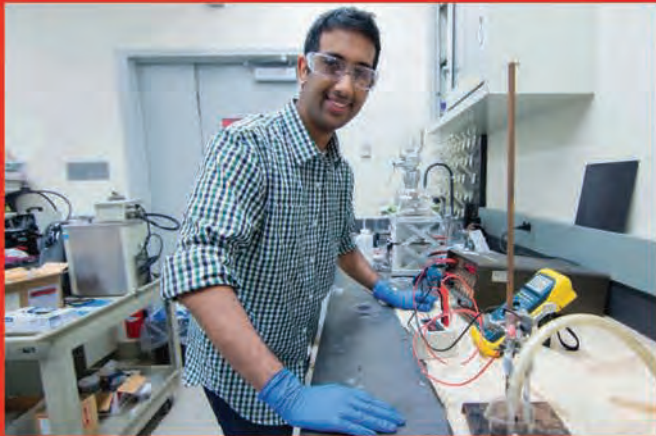
# Discover the Value of New Jersey Institute of Technology

*Ranks Among the Top U.S. Polytechnic Universities*

Engaging you in the STEM experience from the time  
you arrive on campus to ensure your success!



**APPLIED RESEARCH**



**ACADEMIC  
EXCELLENCE**

**TECHNOLOGICAL  
OUTREACH**



[njit.edu/moreinfo](http://njit.edu/moreinfo)

University Heights  
Newark, NJ 07102  
1-800-925-NJIT

ALWAYS ON TOP OF ACADEMIC EXCELLENCE  
**ENGINEERING** MECHANICAL  
BIOMEDICAL CIVIL INDUSTRIAL **SCIENCE** PHARMACEUTICAL ENVIRONMENTAL  
**STEM** COMPUTATIONAL ELECTRICAL

# R·I·T

- One of the world's leading technological, career-focused universities and one of the largest private universities in the nation. RIT's nine colleges offer more than 200 undergraduate, master's, and Ph.D. programs

- Third in the nation among private universities in the number of bachelor's degrees awarded in science, technology, engineering, and mathematics disciplines

- Externally recognized for achievements in enhancing diversity

- NACME Partner for more than 20 years

- Collegiate chapters of NSBE, SHPE, ASIES, and SWE

**Imagine the Possibilities**  
[www.rit.edu](http://www.rit.edu)





# Invent. Design. Develop. Engineering at Rutgers

Rutgers engineers tackle issues of global importance, communicating ideas and envisioning projects and solutions that make the world a better place to live. From designing sustainable infrastructures to inventing the devices that drive medical advances; from developing secure networking systems to using disposable materials in innovative ways; from alternative energy solutions to innovating the next generation of space flight vehicles, Rutgers engineers make things happen. Find out more at: [soe.rutgers.edu](http://soe.rutgers.edu)

- BIOENVIRONMENTAL ENGINEERING
- BIOMEDICAL ENGINEERING
- CHEMICAL AND BIOCHEMICAL ENGINEERING
- CIVIL AND ENVIRONMENTAL ENGINEERING
- ELECTRICAL AND COMPUTER ENGINEERING
- INDUSTRIAL AND SYSTEMS ENGINEERING
- MATERIALS SCIENCE AND ENGINEERING
- MECHANICAL AND AEROSPACE ENGINEERING
- PACKAGING ENGINEERING

**RUTGERS**  
School of Engineering



# Swarthmore College

## Programs of study in engineering and the sciences:

Astronomy  
Biology  
Chemistry  
Computer Science  
Engineering  
Environmental Studies  
Mathematics  
Physics  
Psychology  
Statistics

*Interdisciplinary opportunities such as astrophysics, bioengineering, biochemistry, cognitive science, and neuroscience are also available*

## At Swarthmore, you'll work with the best.

Our small classes and labs will give you lots of opportunity to ask questions, investigate ideas, and push experiments to the limits. Even as a first-year student, you'll work closely with the brilliant engineers and scientists who make up our faculty. They are experts who obtained their doctorates at the top research institutions in the country and do fascinating, cutting-edge research. Yet their first calling and commitment is teaching undergraduates.

## You'll learn from lab experience.

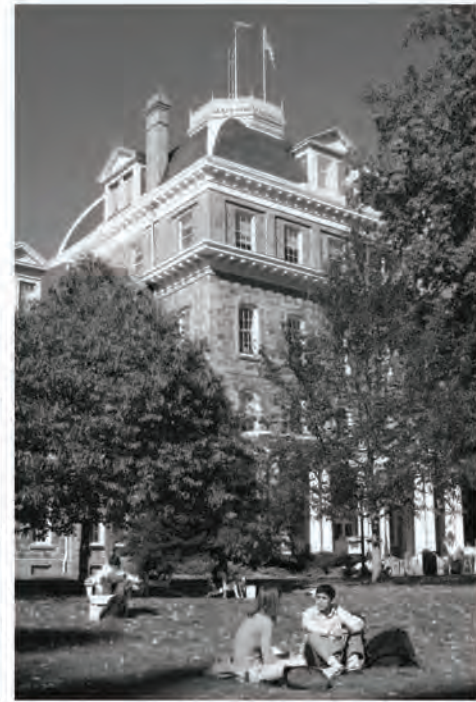
At Swarthmore, all engineering and science courses have lab sections. You may explore quantum electronics with a state-of-the-art titanium-sapphire laser or the origins of life using a DNA amplification chamber.

In addition to classes and labs, you will have the opportunity to collaborate with professors on their research. Each year, many Swarthmore faculty members hire student researchers to work with them during the school year and for summer projects.

Swarthmore graduates obtain excellent jobs and are welcomed at the most rigorous graduate programs in the country because they have a solid academic foundation and are accustomed to conducting research.

## You'll benefit from studying Engineering in a Liberal Arts Environment.

At Swarthmore your musical, linguistic, political science, and philosophy interests will be



## SWARTHMORE FACTS

- Swarthmore offers a study abroad program for engineering students at the Technical University of Krakow, Poland.
- In the last five years, Swarthmore graduates have won 40 National Science Foundation Graduate Research Fellowships.
- Six Nobel laureates are Swarthmore alumni. Swarthmore is also extraordinarily well represented in the membership of the National Academy of Engineering, and the National Academy of Sciences.

valued and respected as much as your excitement for engineering and science. We don't require you to commit to an engineering major before arrival; indeed, you won't have to declare a major until spring of your sophomore year.

It is our belief that exploring a wide range of academic areas at Swarthmore will make you a better engineer or scientist. Professional engineers and scientists need to have the vision to seize new opportunities, understand the larger context, overcome political hurdles, write successful grant proposals, and explore the ethics of their research. That's what a liberal arts education is all about. And in an increasingly technological and globally oriented economy, liberal arts trained engineers and scientists have a deep understanding of the challenges facing our world, and the preparation to generate solutions to better our future.

Admissions Office  
Swarthmore College  
500 College Avenue  
Swarthmore, PA 19081

PHONE  
800-667-3110

FAX 610-328-8580

WEBSITE  
[www.swarthmore.edu](http://www.swarthmore.edu)

EMAIL  
[admissions@swarthmore.edu](mailto:admissions@swarthmore.edu)



# HAJIM

## SCHOOL OF ENGINEERING & APPLIED SCIENCES

### UNIVERSITY of ROCHESTER

The University of Rochester is one of the country's leading private research universities. Rochester operates on a personal scale, creating exceptional opportunities for interdisciplinary study and close work with faculty. The University consistently ranks among the top in federally financed science, engineering, medical, and other research. The unique Rochester Curriculum invites students to learn what they love, allowing for both focus and flexibility.

#### MAJORS AND DEGREES

**Alternative Energy:** *MS*  
**Audio & Music Engineering:** *BS\**  
**Biomedical Engineering:** *BS, MS, PhD*  
**Chemical Engineering:** *BS, MS, PhD*  
**Computer Science:** *BA, BS, MS, PhD*  
**Electrical and Computer Engineering:** *BS, MS, PhD*  
**Engineering and Applied Sciences:** *BS*  
**Engineering Science:** *BA*  
**Materials Science:** *MS, PhD*  
**Mechanical Engineering:** *BS, MS, PhD*  
**Optical Engineering:** *BS*  
**Optics:** *BS, MS, PhD*  
**Technical Entrepreneurship and Management (TEAM):** *MS*

\*This program is seeking ABET accreditation. Meanwhile, graduates are not eligible to receive maximum professional education/experience credits toward NY State licensure.

#### COMBINED-ADMISSION PROGRAM

**GEAR (Graduate Engineering at Rochester):** Exceptionally promising undergraduates may be guaranteed admission to our five-year B.S./M.S. program in any department in the Hajim School.

GEAR students receive a minimum 50% tuition scholarship in the fifth year of study through a teaching or research assistantship.

#### CONTACT INFORMATION

University of Rochester  
Office of Admissions  
Wallis Hall, Rochester, NY 14627  
[admit@admissions.rochester.edu](mailto:admit@admissions.rochester.edu)  
(585) 275-3221 or (888) 822-2256  
[enrollment.rochester.edu](http://enrollment.rochester.edu)



# Wentworth's Five Factors of Career Success

Wentworth offers a unique combination of five factors that help ensure career success through a seamlessly integrated program of learning, building, and doing. Yesterday's credentials are no match for the challenges of the future—only at Wentworth do all these factors converge and prepare you for the career you envision.

Wentworth's academic offerings are rigorous, relevant, and experiential. Our programs emphasize both curricular and extracurricular learning, enabling students from different majors to collaborate on complex projects—just as they would in the workplace.

Wentworth provides opportunities for students to identify and fulfill technical, societal, and economic needs with innovative ideas and solutions that the world has never seen before.

The Wentworth campus is conveniently located within a world-class center of technology, business, and culture. Some of the most respected institutions of higher learning, medicine, and finance are based in Boston.



Wentworth requires two semesters of cooperative learning experiences (co-ops), where students apply classroom knowledge in real-world environments. Through co-ops, students learn to produce in actual, unpredictable work situations.

Wentworth collaborates with a host of universities, corporations, and community partners on a wide range of projects. These opportunities provide students with hands-on experience as well as important professional connections.



**FIND  
YOUR**.....

*Possibility*



# SCHOLARSHIPS OF EXCELLENCE IN ENGINEERING & COMPUTER SCIENCE

## UNDERGRADUATE DEGREE OPTIONS

Biomedical Engineering	Computer Science
Electrical Engineering	Environmental Engineering
Information Systems	Mechanical Engineering
Software Engineering	

- Become an engineer or computer scientist
- Learn professions from professionals
- Apply engineering to community service projects
- Experience industrial opportunities
- Engage in one-on-one mentoring
- Participate in professional and personal enrichment courses
- Contribute to a strong cooperative community of students

## Find Out More Today!



**CALL** | 1-800-GANNON-U



**ONLINE** | [gannon.edu/seecs](http://gannon.edu/seecs)



**EMAIL** | [seecs@gannon.edu](mailto:seecs@gannon.edu)



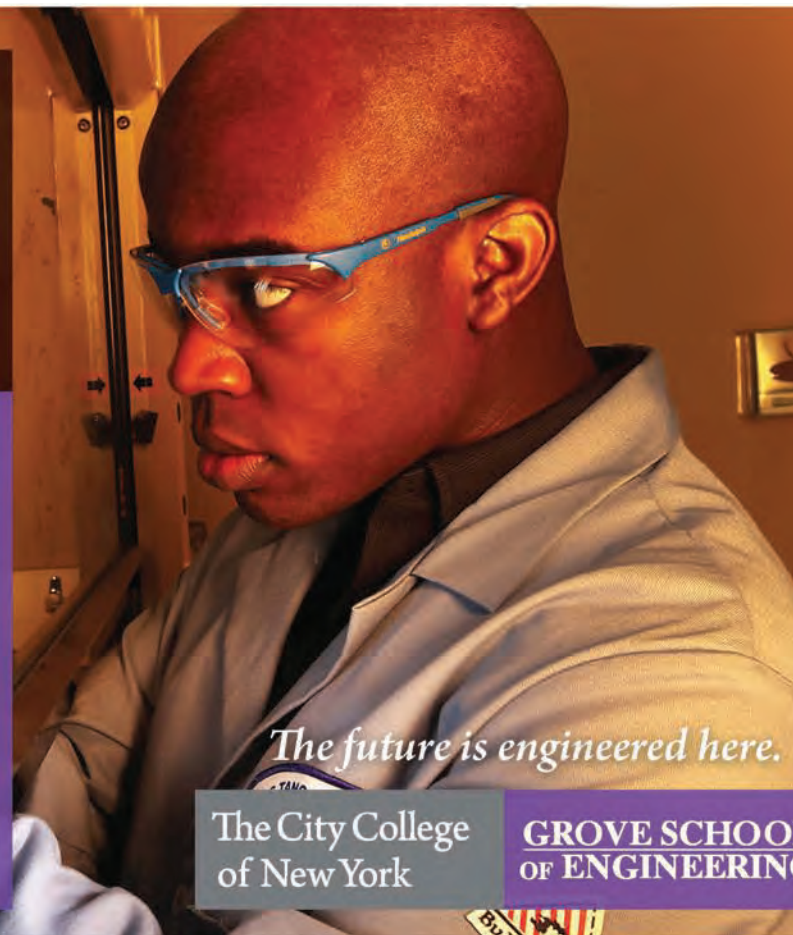
*Believe in the possibilities.*

The Grove School of Engineering at The City College of New York—named after one of its most prominent graduates, retired CEO and chairman of Intel Andrew Grove—is home to an exceptional publicly supported engineering program in the heart of New York City.

**access  
&  
excellence**

Grove holds a position of national standing among public schools of engineering, and is recognized for the excellence of its instructional and research programs. It also leads in the breadth of its offerings, with bachelor's, master's and/or doctoral degree programs in:

- > Biomedical Engineering
- > Chemical Engineering
- > Civil Engineering
- > Computer Engineering
- > Computer Science
- > Earth System Science and Environmental Engineering
- > Electrical Engineering
- > Information Systems
- > Mechanical Engineering
- > Sustainability in the Urban Environment
- > Translational Medicine



*The future is engineered here.*

The City College  
of New York

**GROVE SCHOOL  
OF ENGINEERING**

For more information, contact: 212-650-8020 | [www.cny.cuny.edu/engineering](http://www.cny.cuny.edu/engineering)

# WE LOOK AT THINGS DIFFERENTLY.



**OPUS**

College of Engineering

MARQUETTE UNIVERSITY

In Marquette University's Opus College of Engineering, we don't just solve problems. We challenge ourselves to ask tough questions and find solutions that lead to change. We are a community of diverse thinkers from different backgrounds with unique experiences and talents. Here, you'll discover possibilities you didn't know existed, be encouraged to dream, create and explore. Here, you'll understand what it means to Be The Difference.

[marquette.edu/engineering](http://marquette.edu/engineering)



## THINK DIFFERENTLY. LEARN DIFFERENTLY.

Kettering University has the professors, the labs and the experiences that bring knowledge and practice together better than any place else.

[www.kettering.edu/different](http://www.kettering.edu/different)

NATIONAL LEADER  
STEM EDUCATION  
IN EXPERIENTIAL



FIXED-RATE  
UNDERGRAD  
TUITION  
GUARANTEE  
Tuition is locked in for  
10 consecutive terms

2.5  
YEARS

OF PROFESSIONAL  
EXPERIENCE  
a typical Kettering grad  
earns by graduation



MERIT  
SCHOLARSHIPS  
awarded automatically  
to qualified students



\$14.62 FRESHMAN  
\$18.44 SENIOR  
CO-OP STUDENTS  
AVG. HOURLY WAGE

**Kettering**  
UNIVERSITY

Choosing Marshall University's College of Information Technology and Engineering will be your **Best. Decision. Ever.**



**DEGREES OFFERED**

- Bachelor of Science in Engineering, Civil Emphasis
- Bachelor of Science in Mechanical Engineering
- Master of Science in Engineering, Majoring in Engineering Management, Environmental Engineering, and Transportation and Infrastructure Engineering; Master of Science in Mechanical Engineering

**QUICK FACTS**

- Graduates pass the Fundamentals of Engineering exam at a rate better than the state and national averages
- The Arthur Weisberg Family Applied Engineering Complex opens for classes Fall 2015
- State-of-the-art classrooms and labs with small classes and personal attention from your professors

Learn more and request information by visiting [www.marshall.edu/cite](http://www.marshall.edu/cite) or [www.marshall.edu/recruitment](http://www.marshall.edu/recruitment)



*Students leave us at an amazing rate!*



**96%** placement rate

**MILWAUKEE SCHOOL OF ENGINEERING** • Get the whole story at [msoe.edu](http://msoe.edu)



ORAL ROBERTS UNIVERSITY  
College of **SCIENCE**  
& **ENGINEERING**  
*Choose from 20+ degrees!*

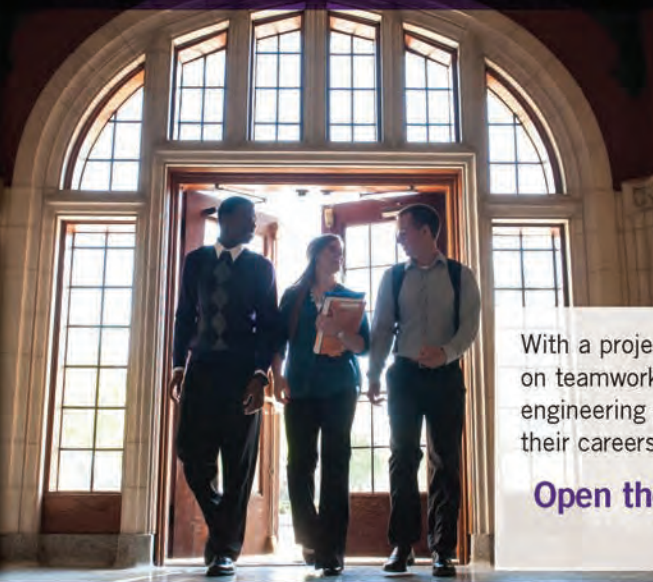
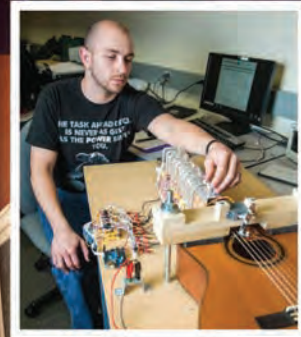
*“We challenge our students to discover technical solutions to impact their world! Currently my students and I are using human genome editing to target breast cancer cells and 3D Matrix techniques to grow mammary ducts that will help us better understand breast cancer initiation.*

—**William P. Ranahan, Ph.D.**  
Assistant Professor of Biology  
Pictured with students  
Daniel Asher and Reid Andrews

**ORU**

LEARN MORE: [oru.edu/pr](http://oru.edu/pr) | 800.678.8876

**Destination Anywhere**  
*Engineering for the Future!*



With a project-based curriculum and focus on teamwork, UE's nationally-recognized engineering programs prepare students for their careers and lives.

**Open the door to your future.  
Visit today.**



UNIVERSITY OF  
EVANSVILLE.  
**IMPACT**

Learn more or schedule your visit at  
[www.evansville.edu/visit](http://www.evansville.edu/visit).

**WE WILL**

**LEARN BEYOND THE  
CLASSROOM.**

**The University of Texas  
Rio Grande Valley**

UTRGV's engineering programs will have you on the forefront of work that's inventing innovative technologies. You'll design. Build. And Dream. Bring to life new products and processes that are critical to our economy.

Enroll now or learn more at: [UTRGV.EDU](http://UTRGV.EDU). A New University for the 21st Century.

**Thank you NACME Board of Directors for helping us engineer a workforce that looks like America by supporting thousands of NACME Scholars throughout their educational and professional careers.**

3M  
Air Products and Chemicals, Inc.  
Apache Corporation  
ARCADIS  
AT&T  
Bechtel Corporation  
The Boeing Company  
BP plc  
Bristol-Myers Squibb Company  
Broadcom Corporation  
Chevron Corporation  
Cisco Systems, Inc.  
Consolidated Edison Company  
of New York, Inc.

Deloitte & Touche LLP  
The Dow Chemical Company  
DuPont  
Eaton Corporation  
EMC Corporation  
Exxon Mobil Corporation  
Florida A&M University  
Florida International University  
Ford Motor Company  
General Electric Company  
Hewlett-Packard Company  
IBM Corporation  
Intel Corporation  
Johnson Controls, Inc.

Lockheed Martin Corporation  
Merck & Co., Inc.  
National Academy of Engineering  
New York University Polytechnic  
School of Engineering  
Northrop Grumman Corporation  
PenFed  
Procter & Gamble Company  
Raytheon Company  
Rolls-Royce plc  
Shell Oil Company  
United Parcel Service, Inc.  
Xerox Corporation



The NACME Guide to Engineering Colleges, as well as all of NACME's engineering awareness materials, are available for download at: [nacme.org/middle-high-school-programs](http://nacme.org/middle-high-school-programs)





## ABET-ACCREDITED ENGINEERING COLLEGES LISTED BY STATE

### ALABAMA

Alabama A&M University.....	41
Auburn University.....	42
Jacksonville State University.....	64
Troy University—Troy (formerly Troy State University).....	95
Tuskegee University.....	95
The University of Alabama at Birmingham.....	101
The University of Alabama in Huntsville.....	101
The University of Alabama—Tuscaloosa.....	101
University of North Alabama.....	115
University of South Alabama.....	119

### ALASKA

University of Alaska Anchorage.....	101
University of Alaska Fairbanks.....	102

### ARIZONA

Arizona State University—Tempe Campus.....	41
Embry Riddle Aeronautical University—Prescott.....	55
Northern Arizona University.....	74
University of Arizona.....	102

### ARKANSAS

Arkansas State University.....	41
Arkansas Tech University.....	42
Harding University.....	60
John Brown University.....	64
University of Arkansas—Fayetteville.....	102
University of Arkansas—Little Rock.....	102
University of Central Arkansas.....	103

### CALIFORNIA

California Baptist University.....	45
California Institute of Technology.....	45
California Maritime Academy of California State University.....	45
California Polytechnic State University.....	45
California State Polytechnic University, Pomona.....	45
California State University, Chico.....	46
California State University, Dominguez Hills.....	46
California State University, East Bay.....	46
California State University, Fresno.....	46
California State University, Fullerton.....	46
California State University, Long Beach.....	47
California State University, Los Angeles.....	47
California State University, Northridge.....	47
California State University, Sacramento.....	47
California State University, San Bernardino.....	47
Harvey Mudd College.....	61
Humboldt State University.....	62
Loyola Marymount University.....	67
San Diego State University.....	85
San Francisco State University.....	85
San Jose State University.....	85
Santa Clara University.....	85
Stanford University.....	89
University of California—Berkeley.....	102
University of California—Davis.....	103
University of California—Irvine.....	103

University of California—Los Angeles.....	103
University of California—Riverside.....	103
University of California—San Diego.....	104
University of California—Santa Barbara.....	104
University of California—Santa Cruz.....	104
University of the Pacific.....	117
University of San Diego.....	118
University of Southern California.....	119

### COLORADO

Colorado School of Mines.....	52
Colorado State University.....	52
Colorado State University—Pueblo.....	52
Colorado Technical University.....	52
Fort Lewis College.....	58
Regis University.....	82
United States Air Force Academy.....	96
University of Colorado at Colorado Springs.....	105
University of Colorado Boulder.....	105
University of Colorado Denver.....	106
University of Denver.....	106

### CONNECTICUT

Central Connecticut State University.....	49
Fairfield University.....	55
Quinnipiac University.....	81
Southern Connecticut State University.....	87
Trinity College (CT).....	94
United States Coast Guard Academy.....	96
University of Bridgeport.....	102
University of Connecticut.....	106
University of Hartford.....	107
University of New Haven.....	114
Yale University.....	132

### DELAWARE

University of Delaware.....	106
-----------------------------	-----

### DISTRICT OF COLUMBIA

The Catholic University of America.....	48
The George Washington University.....	59
Howard University.....	61
University of the District of Columbia.....	107

### FLORIDA

Embry Riddle Aeronautical University (FL).....	55
Florida Agriculture and Mechanical University.....	57
Florida Atlantic University.....	57
Florida Gulf Coast University.....	57
Florida Institute of Technology.....	57
Florida International University.....	57
Florida State University.....	58
University of Central Florida.....	104
University of Florida.....	107
University of Miami.....	111
University of North Florida.....	116
University of South Florida.....	119
University of Tampa.....	120
University of West Florida.....	124

## GEORGIA

Armstrong Atlantic State University.....	42
Georgia Institute of Technology.....	59
Georgia Southern University.....	59
Kennesaw State University.....	65
Mercer University—Macon.....	69
Savannah State University.....	85
Southern Polytechnic State University.....	88
University of Georgia.....	107

## HAWAII

University of Hawaii at Manoa.....	108
------------------------------------	-----

## IDAHO

Boise State University.....	43
Idaho State University.....	62
University of Idaho.....	108

## ILLINOIS

Bradley University.....	44
Illinois Institute of Technology.....	62
Illinois State University.....	62
Northern Illinois University.....	74
Northwestern University.....	76
Olivet Nazarene University.....	77
Southern Illinois University—Carbondale.....	87
Southern Illinois University—Edwardsville.....	87
University of Illinois at Chicago.....	108
University of Illinois at Urbana-Champaign.....	109
Western Illinois University.....	128

## INDIANA

Ball State University.....	42
Indiana Institute of Technology.....	62
Indiana University—Purdue University Indianapolis.....	63
Indiana University—Purdue Univ. Fort Wayne.....	63
Purdue University—Calumet.....	81
Purdue University—West Lafayette.....	81
Rose-Hulman Institute of Technology.....	83
Taylor University.....	92
Trine University.....	94
University of Evansville.....	107
University of Notre Dame.....	116
University of Southern Indiana.....	119
Valparaiso University.....	125

## IOWA

Dordt College.....	53
Iowa State University.....	63
St. Ambrose University.....	89
University of Iowa.....	109

## KANSAS

Kansas State University.....	64
Pittsburg State University.....	80
University of Kansas.....	109
Wichita State University.....	130

## KENTUCKY

Eastern Kentucky University.....	54
Murray State University.....	73
Northern Kentucky University.....	74
University of Kentucky.....	109
University of Louisville.....	110
Western Kentucky University.....	129

## LOUISIANA

Grambling State University.....	60
Louisiana State University—Baton Rouge.....	66
Louisiana State University in Shreveport.....	67

Louisiana Tech University.....	67
McNeese State University.....	68
Nicholls State University.....	74
Northwestern State University.....	75
Southeastern Louisiana University.....	86
Southern University and A&M College.....	88
Tulane University.....	95
University of Louisiana at Lafayette.....	110
University of New Orleans.....	115

## MAINE

Maine Maritime Academy.....	67
University of Maine.....	110
University of Southern Maine.....	120

## MARYLAND

Capitol College.....	48
Johns Hopkins University.....	64
Loyola University Maryland.....	67
Morgan State University.....	72
University of Maryland, Baltimore County.....	110
University of Maryland, College Park.....	110

## MASSACHUSETTS

Boston University.....	43
Fitchburg State College.....	56
Franklin W. Olin College of Engineering.....	58
Harvard College.....	61
Massachusetts Institute of Technology.....	68
Merrimack College.....	69
Northeastern University.....	74
Salem State University.....	84
Smith College.....	86
Suffolk University.....	91
Tufts University.....	95
University of Massachusetts Amherst.....	111
University of Massachusetts Boston.....	111
University of Massachusetts Dartmouth.....	111
University of Massachusetts Lowell.....	111
Wentworth Institute of Technology.....	128
Western New England University.....	129
Westfield State University.....	129
Worcester Polytechnic Institute.....	131

## MICHIGAN

Andrews University.....	41
Calvin College.....	47
Central Michigan University.....	49
Eastern Michigan University.....	54
Ferris State University.....	56
Grand Valley State University.....	60
Hope College.....	61
Kettering University.....	65
Lake Superior State University.....	65
Lawrence Technological University.....	65
Michigan State University.....	69
Michigan Technological University.....	70
Northern Michigan University.....	75
Oakland University.....	76
Saginaw Valley State University.....	84
University of Detroit Mercy.....	106
University of Michigan—Ann Arbor.....	112
University of Michigan—Dearborn.....	112
Wayne State University.....	127
Western Michigan University.....	129

## MINNESOTA

Minnesota State University, Mankato.....	70
Saint Cloud State University.....	84
University of Minnesota—Duluth.....	112
University of Minnesota—Twin Cities Campus.....	112
Winona State University.....	131

## MISSISSIPPI

Jackson State University.....	64
Mississippi State University.....	71
Mississippi Valley State University.....	71
University of Mississippi.....	112

## MISSOURI

Missouri Southern State University—Joplin.....	71
Missouri State University.....	71
Missouri University of Science and Technology.....	71
Missouri Western State College.....	72
Saint Louis University.....	84
Southeast Missouri State University.....	87
University of Central Missouri.....	105
University of Missouri.....	113
University of Missouri—Kansas City.....	113
University of Missouri—St. Louis.....	113
Washington University in St. Louis.....	127

## MONTANA

Carroll College (MT).....	48
Montana State University.....	72
Montana Tech of the University of Montana.....	72
The University of Montana.....	113

## NEBRASKA

University of Nebraska at Omaha.....	113
University of Nebraska—Lincoln.....	114

## NEVADA

University of Nevada—Las Vegas.....	114
University of Nevada—Reno.....	114

## NEW HAMPSHIRE

Daniel Webster College.....	53
Dartmouth College.....	53
University of New Hampshire.....	114

## NEW JERSEY

The College of New Jersey.....	51
Fairleigh Dickinson University, Metropolitan Campus.....	56
Monmouth University (NJ).....	72
New Jersey Institute of Technology.....	73
Princeton University.....	81
Rowan University.....	83
Rutgers, The State University of New Jersey—New Brunswick.....	83
Stevens Institute of Technology.....	91
Thomas Edison State College.....	94

## NEW MEXICO

New Mexico Institute of Mining and Technology.....	73
New Mexico State University.....	73
University of New Mexico.....	115

## NEW YORK

Alfred University.....	41
City College of New York—City College.....	50
City College of New York—The College of Staten Island.....	50
Clarkson University.....	51
Columbia University.....	52
The Cooper Union for the Advancement of Science and Art.....	52
Cornell University.....	53
Farmingdale State College.....	56
Hofstra University.....	61
Iona College.....	63
Manhattan College.....	67
New York Institute of Technology.....	74
Pace University.....	78
Polytechnic Institute of New York University—Brooklyn.....	80
Rensselaer Polytechnic Institute.....	82

Rochester Institute of Technology.....	83
State University of New York—Alfred State College.....	89
State University of New York—Binghamton University.....	89
State University of New York at New Paltz.....	90
State University of New York—College of Environmental Science and Forestry.....	89
State University of New York—Maritime College.....	90
State University of New York—Stony Brook University.....	90
State University of New York—University at Buffalo.....	90
Syracuse University.....	92
Union College.....	95
United States Merchant Marine Academy.....	96
United States Military Academy.....	96
University of Rochester.....	118
Webb Institute.....	128

## NORTH CAROLINA

Appalachian State University.....	41
Duke University.....	54
East Carolina University.....	54
Fayetteville State University.....	56
North Carolina A&T State University.....	75
North Carolina State University.....	75
University of North Carolina at Asheville.....	115
The University of North Carolina at Greensboro.....	115
The University of North Carolina at Charlotte.....	115
The University of North Carolina at Wilmington.....	116
Western Carolina University.....	128
Winston-Salem State University.....	131

## NORTH DAKOTA

North Dakota State University.....	75
University of North Dakota.....	116

## OHIO

Case Western Reserve University.....	48
Cedarville University.....	49
Central State University.....	49
Cleveland State University.....	51
Marietta College.....	68
Miami University.....	69
Muskingum University.....	73
Ohio Northern University.....	76
The Ohio State University—Columbus.....	76
Ohio University—Athens.....	76
The University of Akron.....	101
University of Cincinnati.....	105
University of Dayton.....	106
University of Toledo.....	122
Wright State University.....	131

## OKLAHOMA

Oklahoma Christian University.....	77
Oklahoma State University.....	77
Oral Roberts University.....	77
University of Central Oklahoma.....	105
University of Oklahoma.....	117
The University of Tulsa.....	123

## OREGON

George Fox University.....	59
Oregon Institute of Technology.....	78
Oregon State University.....	78
Portland State University.....	81
University of Portland.....	118

## PENNSYLVANIA

Bloomsburg University of Pennsylvania.....	43
Bucknell University.....	44
Carnegie Mellon University.....	48
Drexel University.....	53

Edinboro University of Pennsylvania .....	55
Elizabethtown College .....	55
Gannon University .....	58
Geneva College .....	58
Grove City College .....	60
Indiana University of Pennsylvania .....	63
Lafayette College .....	65
Lehigh University .....	66
Messiah College .....	69
Millersville University of Pennsylvania .....	70
Penn State Berks .....	78
Penn State Erie, The Behrend College .....	79
Penn State Harrisburg .....	79
Penn State New Kensington .....	79
Penn State University Park .....	79
Penn State Wilkes-Barre .....	79
Penn State York .....	79
Philadelphia University .....	80
Point Park University .....	80
Robert Morris University .....	82
Shippensburg University of Pennsylvania .....	86
Slippery Rock University of Pennsylvania .....	86
Swarthmore College .....	91
Temple University .....	92
University of Pennsylvania .....	117
University of Pittsburgh—Johnstown .....	117
University of Pittsburgh—Pittsburgh Campus .....	117
The University of Scranton .....	118
Villanova University .....	126
West Chester University of Pennsylvania .....	128
Widener University .....	130
Wilkes University .....	130
York College of Pennsylvania .....	132

## PUERTO RICO

Polytechnic University of Puerto Rico .....	80
---	----

## RHODE ISLAND

Brown University .....	44
Roger Williams University .....	83
University of Rhode Island .....	118

## SOUTH CAROLINA

The Citadel, The Military College of South Carolina .....	50
Clemson University .....	51
College of Charleston .....	51
University of South Carolina—Columbia .....	119
Winthrop University .....	131

## SOUTH DAKOTA

South Dakota School of Mines and Technology .....	88
South Dakota State University .....	88

## TENNESSEE

Austin Peay State University .....	42
Belmont University .....	43
Christian Brothers University .....	50
East Tennessee State University .....	55
Lipscomb University .....	66
Middle Tennessee State University .....	70
Southern Adventist University .....	87
Tennessee State University .....	92
Tennessee Technological University .....	93
Union University .....	96
The University of Memphis .....	111
University of Tennessee at Chattanooga .....	120
University of Tennessee at Knoxville .....	120
University of Tennessee at Martin .....	121
Vanderbilt University .....	126

## TEXAS

Baylor University .....	43
Lamar University .....	65
LeTourneau University .....	66
Midwestern State University .....	70
Prairie View A&M University .....	81
Rice University .....	82
Southern Methodist University .....	88
Stephen F. Austin State University .....	90
St. Mary's University .....	91
Tarleton State University .....	92
Texas A&M University—College Station .....	93
Texas A&M University—Commerce .....	93
Texas A&M University—Galveston .....	93
Texas A&M University—Kingsville .....	93
Texas Christian University .....	93
Texas State University .....	94
Texas Tech University .....	94
Trinity University .....	95
University of Houston .....	108
University of Houston—Clear Lake .....	108
University of Houston—Downtown .....	108
University of North Texas .....	116
University of St. Thomas .....	120
The University of Texas at Arlington .....	121
The University of Texas at Austin .....	121
The University of Texas at Brownsville .....	121
The University of Texas at Dallas .....	121
The University of Texas at El Paso .....	122
The University of Texas at San Antonio .....	122
The University of Texas at Tyler .....	122
The University of Texas—Pan American .....	122
West Texas A&M University .....	129

## UTAH

Brigham Young University (UT) .....	44
Southern Utah University .....	88
University of Utah .....	123
Utah State University .....	125

## VERMONT

Norwich University .....	76
The University of Vermont .....	123
Vermont Technical College .....	126

## VIRGINIA

Christopher Newport University .....	50
George Mason University .....	59
Hampton University .....	60
James Madison University .....	64
Liberty University .....	66
Old Dominion University .....	77
Radford University .....	82
Sweet Briar College .....	91
University of Virginia .....	123
University of Virginia's College at Wise .....	123
Virginia Commonwealth University .....	126
Virginia Military Institute .....	126
Virginia State University .....	126
Virginia Tech .....	127

## WASHINGTON

Central Washington University .....	49
Eastern Washington University .....	54
Gonzaga University .....	60
Pacific Lutheran University .....	78
Saint Martin's University .....	84
Seattle Pacific University .....	85
Seattle University .....	86
University of Washington .....	124
Walla Walla University .....	127
Washington State University .....	127

## **WEST VIRGINIA**

Bluefield State College.....	43
Fairmont State University, including Pierpont Community & Technical College.....	56
Marshall University.....	68
West Virginia University.....	130
West Virginia University Institute of Technology.....	130

## **WISCONSIN**

Marquette University.....	68
Milwaukee School of Engineering.....	70
University of Wisconsin—Eau Claire.....	124
University of Wisconsin—Madison.....	124
University of Wisconsin—Milwaukee.....	124
University of Wisconsin—Platteville.....	124
University of Wisconsin—Stevens Point.....	125
University of Wisconsin—Stout.....	125

## **WYOMING**

University of Wyoming.....	125
----------------------------	-----

## Notes



INFRASTRUCTURE  
MINING & METALS  
NUCLEAR, SECURITY & ENVIRONMENTAL  
OIL, GAS & CHEMICALS



## A cornerstone for your future.

Education is an essential cornerstone for your future, setting the foundation for progress and growth.

Bechtel proudly supports NACME and its work to support America's future engineers. We look forward to working with the next generation industry leaders.

**Discover more at [bechtel.com/careers](https://www.bechtel.com/careers)**

### About Bechtel

Bechtel is one of the most respected global engineering, construction, and project management companies, and a cornerstone of innovation in the industry. Together with our customers, we deliver landmark projects — modern marvels of the world — that foster sustainable progress and help build economies.



## THERE ARE 7 BILLION REASONS WHY WE SHOULD WORK TOGETHER.

With the world's population now at seven billion, the challenges facing humanity have never been greater. Fortunately, the solutions to many of these challenges can be found in science. This is why at DuPont today, our scientists and engineers are working with more people, in more places than ever before to find sustainable, innovative, market-driven solutions which make peoples' lives better, safer, and healthier.

*Welcome to The Global Collaboratory.™*

To learn more about DuPont Science, visit [www.dupont.com](http://www.dupont.com)

